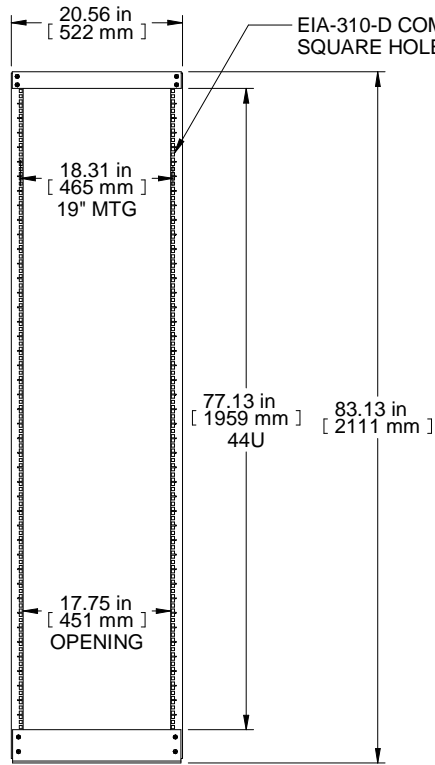


TOP VIEW

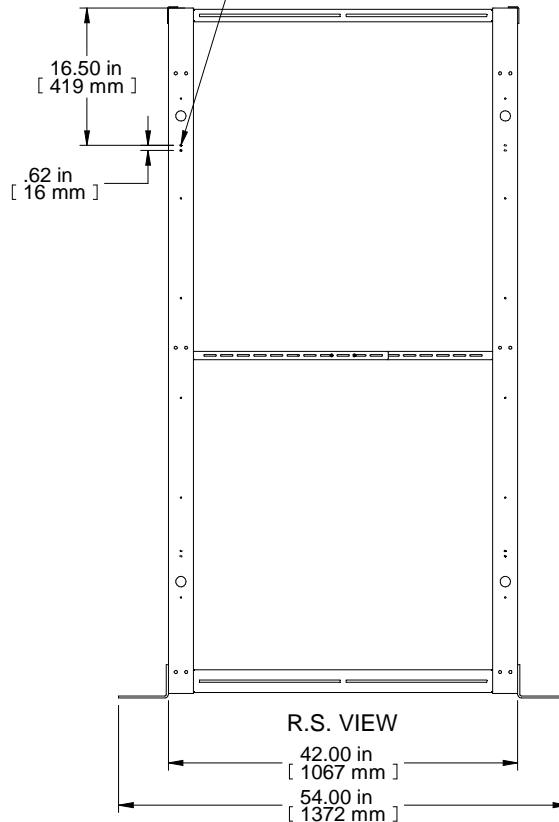
4X
 \varnothing .75 in
 [19 mm]



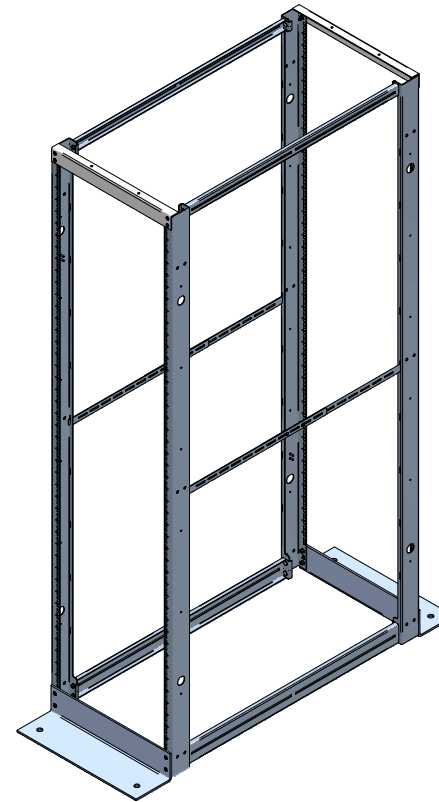
FRONT VIEW

EIA-310-D COMPLIANT
 SQUARE HOLE RAILS

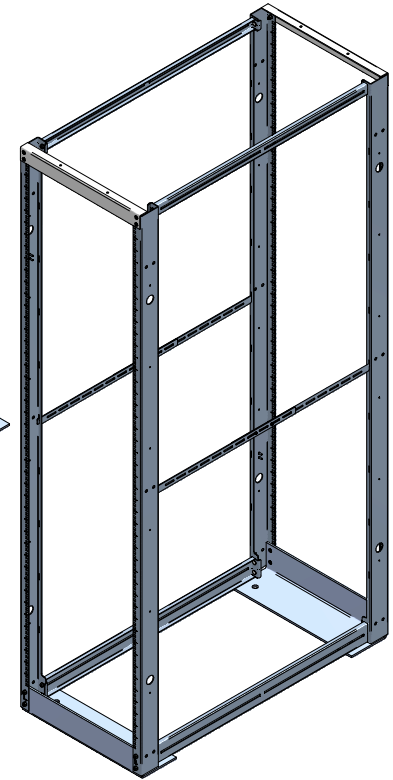
DOUBLE STUD
 RIGHT HAND RAIL BOTTOM
 LEFT HAND RAIL TOP
 2 X 10-32 STUD PER RAIL



R.S. VIEW



ISOMETRIC
 FEET OUT



ISOMETRIC
 FEET IN

PART NUMBERS	
DC4R4442F	PAINTED BLACK THIN FILM
NOTES	
Shipped Knockdown for Handling and Protection	
Self Centering Hardware Included for Ease of Assembly	
Ships with 50 Pack of Cage Nuts and Screws	
See Hammond Website for More Information	
Français	
Pour tous les détails sur nos produits:	
svp veuillez consulter notre site www.hammondmfg.com	
Data subject to change without notice. Isometric drawing not to scale.	
Les données sont sujettes à changement sans préavis.	



HAMMOND MANUFACTURING®
www.hammondmfg.com
 PART NO. DC4R4442F