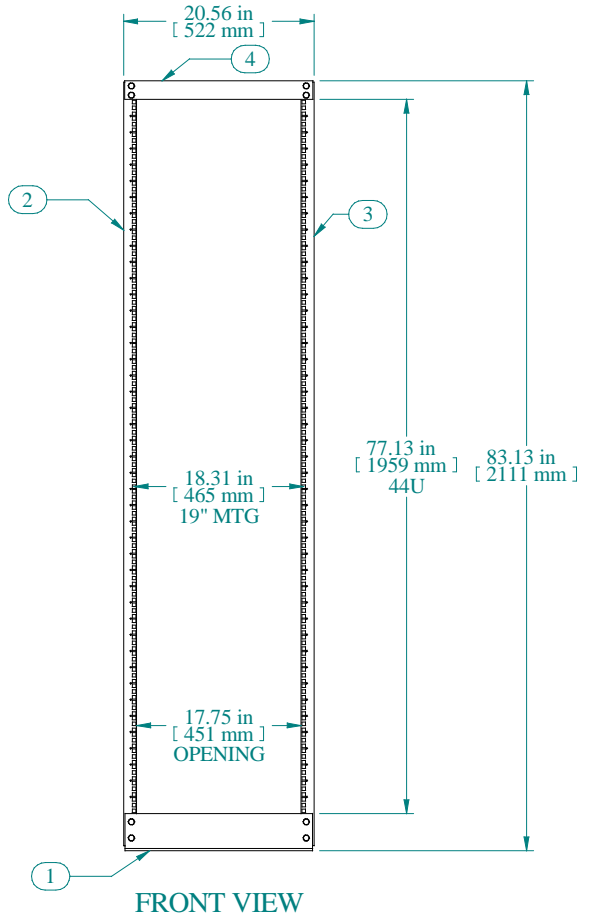
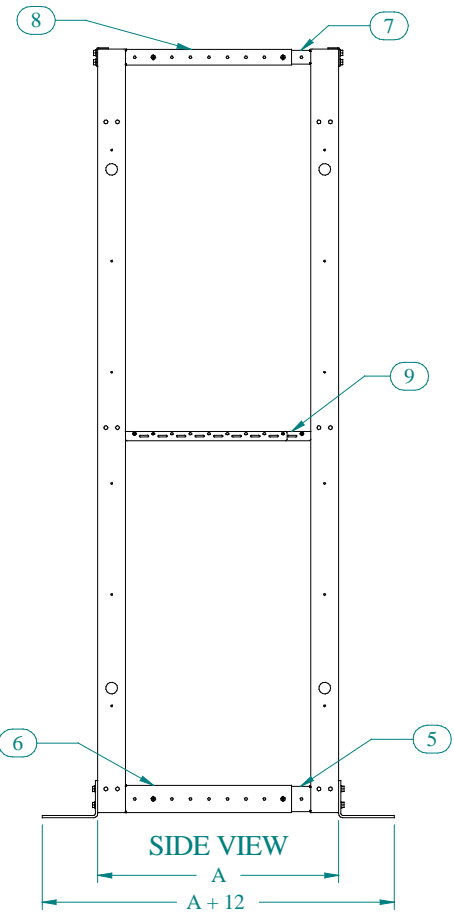
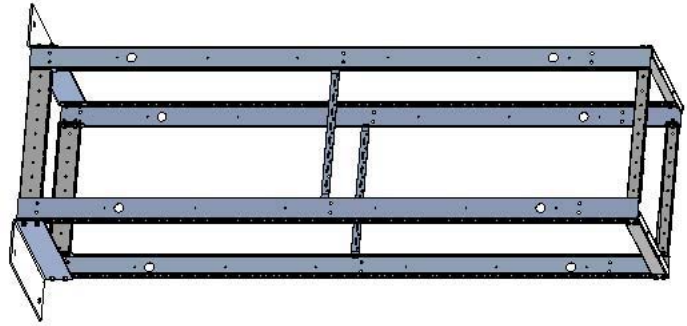
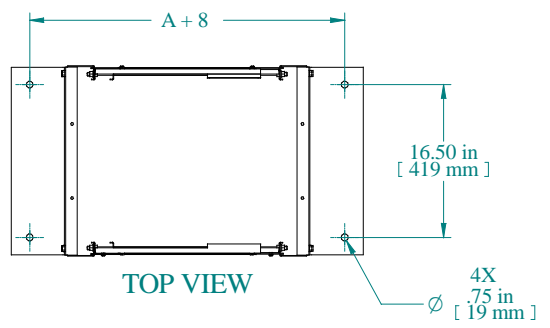


PART No.	A (Depth)
DC4R44	24.00
	26.00
	28.00
	30.00
	32.00
	34.00
	36.00

NOTE: DIM "A" (DEPTH) IS ADJUSTABLE IN 2" INCREMENTS



Item Number	Title	Quantity
1	DNRR - BASE ANGLE	2
2	DN4R - LH RAIL	2
3	DN4R - RH RAIL	2
4	DNRR - TOP ANGLE	2
5	4 POST RELAY RACK DEPTH BRKT	2
6	4 POST RELAY RACK DEPTH BRKT	2
7	4 POST RELAY RACK DEPTH BRKT	2
8	4 POST RELAY RACK DEPTH BRKT	2
9	DN4R - CABLE TIE BAR	4

PART NUMBERS	
DC4R44	PAINTED BLACK THIN FILM

NOTES
 Shipped knockdown for handling ease & protection
 Includes assembly hardware
 See Hammond Website for Additional Accessories

Data subject to change without notice. Isometric drawing not to scale.



**HAMMOND
MANUFACTURING™**

www.hammondmfg.com

PART NO. DC4R44