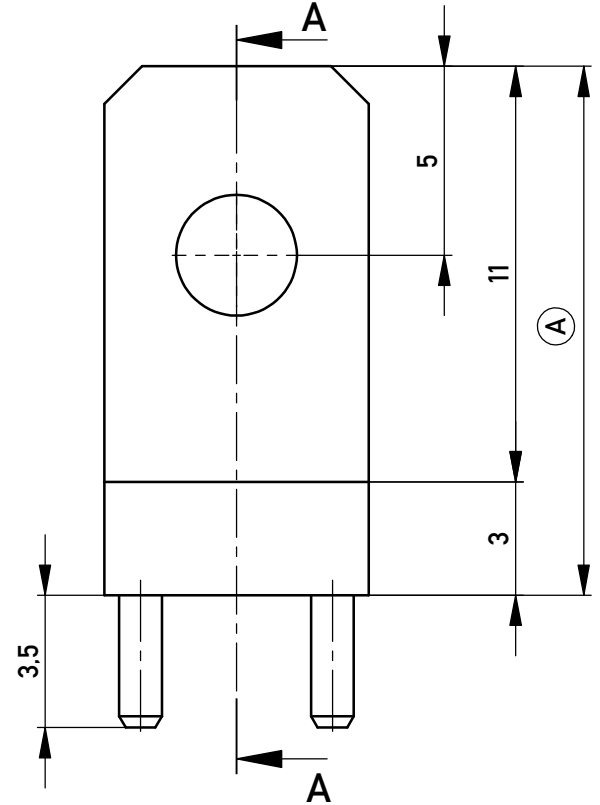
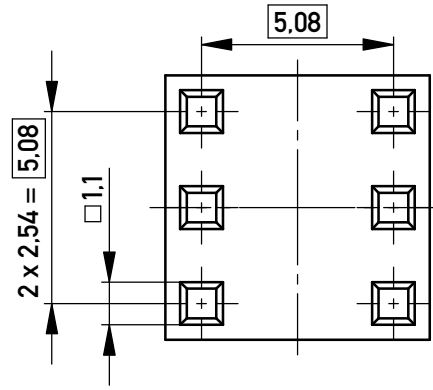
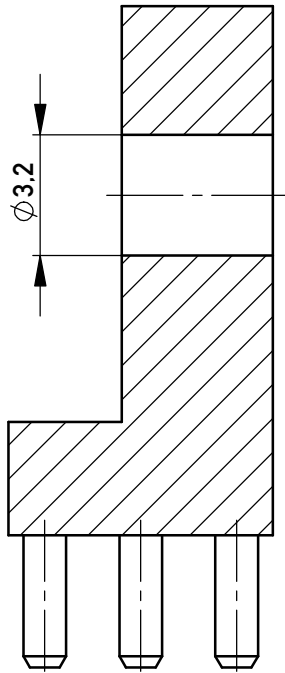
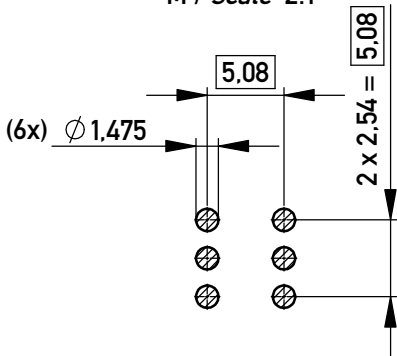


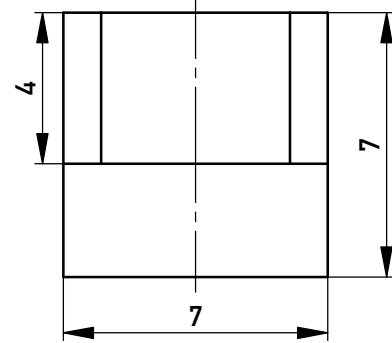
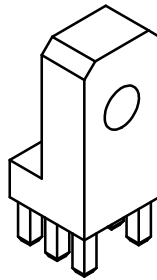
Schnitt A-A
cross section A-A



Layout - Vorschlag
PCB - Layout proposal
M / scale 2:1



M / scale 2:1



2-6µm Sn matt über 2-4µm Cu
2-6µm sn matt over 2-4µm cu

Ⓐ Oberfläche / plating

Copyright by ERNI Production GmbH & Co. KG
Proprietary notice pursuant to ISO 16016 to be observed.

Information:		Tolerances	 All Dimensions in mm	Scale	5:1		
All rights reserved. Only for Information. To ensure that this is the latest version of this drawing, please contact one of the ERNI companies before using.		Subject to modification without prior notice. Drawing will not be updated.		Material:	CuZn39Pb3		
		 www.ERNI.com		Designation			
				PowerElement angled <i>two row population d 3,2</i>			
b	16.02.2018			225717			
Index	Date			Class POWELM <table border="1" style="float: right;"> <tr> <td>I</td> </tr> <tr> <td>A4</td> </tr> </table>		I	A4
I							
A4							