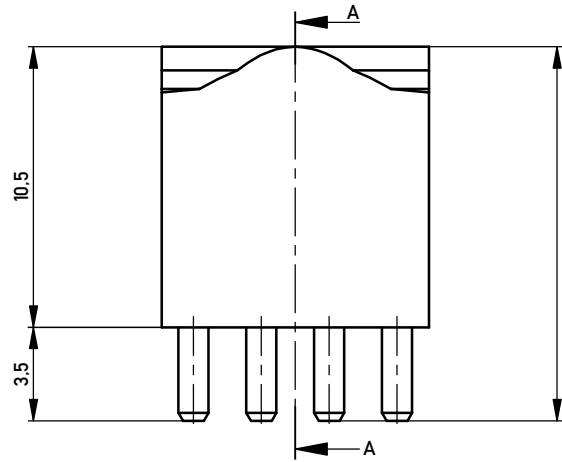
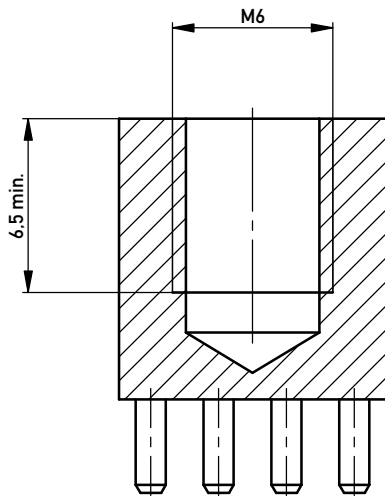
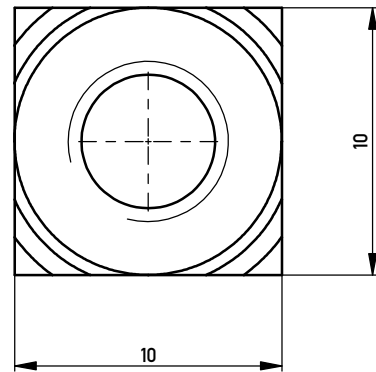
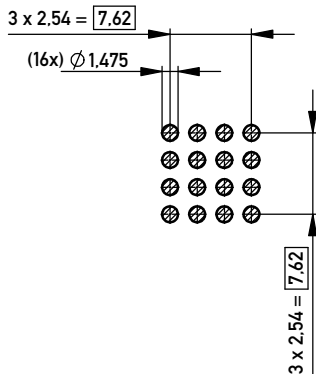


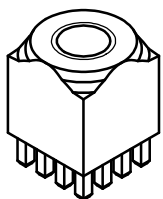
Schnitt A-A
cross section A-A



Layout - Vorschlag
PCB - Layout proposal
M 2:1
scale 2:1



M 2:1
scale 2:1



2-6µm Sn matt über 1-3µm Cu
2-6µm sn matt over 1-3µm cu
Ⓐ Oberfläche / plating

Information:		Tolerances	Scale 5:1
All rights reserved. Only for Information. To ensure that this is the latest version of this drawing, please contact one of the ERNI companies before using.		All Dimensions in mm	Material: CuZn39Pb3
Subject to modification without prior notice. Drawing will not be updated.		Designation PowerElement female thread <i>full population M6</i>	
ERNI www.ERNI.com		225684	
b	12.02.2018	I	
Index	Date	A3	
Class		POWELM	

Copyright by ERNI Production GmbH & Co. KG
Proprietary notice pursuant to ISO 9006 to be observed.