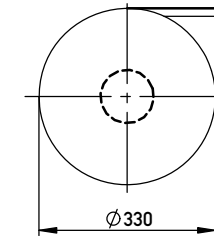
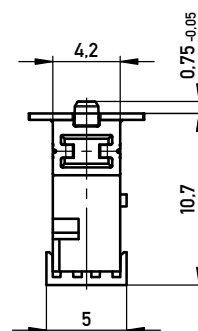
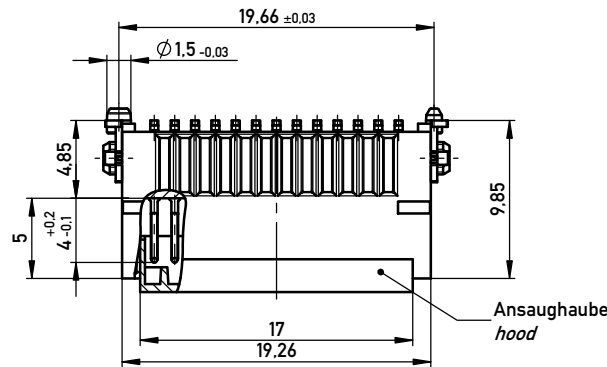
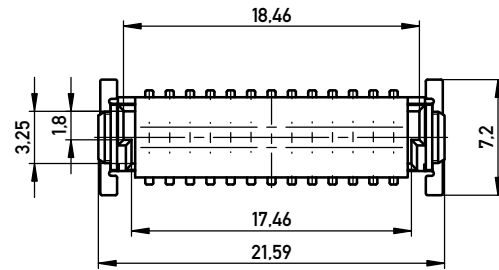
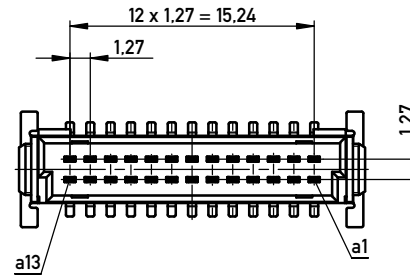


Verpackt im Gurt in Anlehnung an DIN IEC 60286-3
tape on reel packaging according to DIN IEC 60286-3
 Verpackungseinheit: 250 Stück
packaging unit: 250 pcs



ohne Ansaughaube - *without hood*



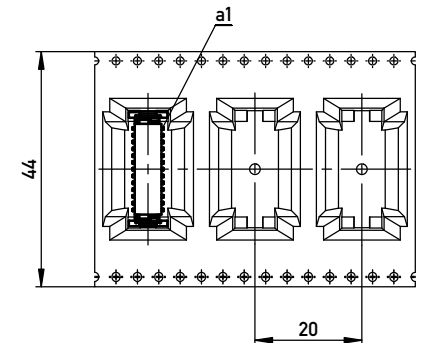
Anforderungsstufe 1
performance level 1

Kontaktbereich vergoldet
mating area gold plating

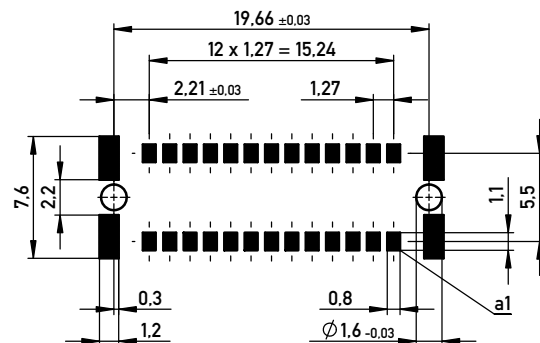
Anschlussbereich verzinkt 4-6 µm
terminal area 4-6 µm tin plating

Koplanarität der Anschlüsse ≤ 0,1 mm
coplanarity area of termination ≤ 0,1 mm

Abspulrichtung - *Reel off Direction*



Leiterplatten-Layout Vorschlag für SMT
PCB-Layout Proposal for SMT



Information:	Tolerances	 All Dimensions in mm	Scale	3:1
	Designation Messertl. SMC-Q 26-SMD-BA8-23 <i>Male SMC-Q 26-SMD-type8-23</i>			
All rights reserved. Only for Information. To ensure that this is the latest version of this drawing, please contact one of the ERNI companies before using.		Subject to modification without prior notice. Drawing will not be updated.		Designation 234207
f Index		06.09.2018 Date		www.ERNI.com Class SMCQ
				BA 8-23 - hohe Bauhöhe <i>type 8-23 - High Profile</i>
				I A3

Copyright by ERNI Production GmbH & Co., KG
 Preparatory notice pursuant to ISD 18016 to be observed.