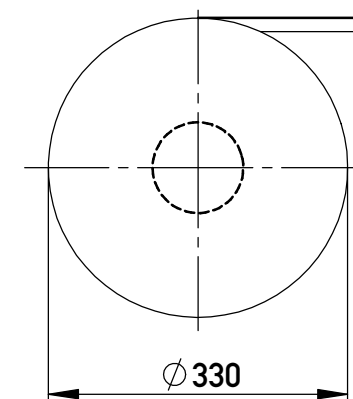
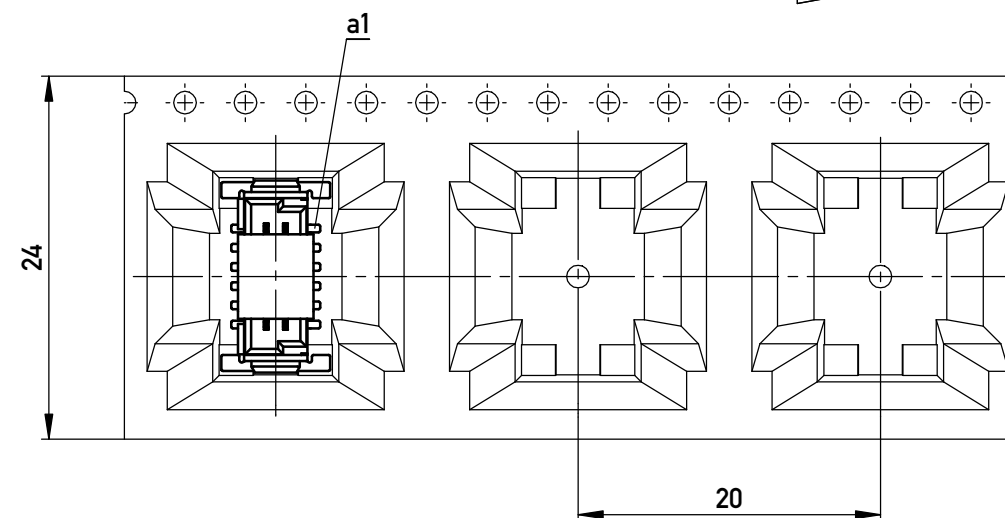


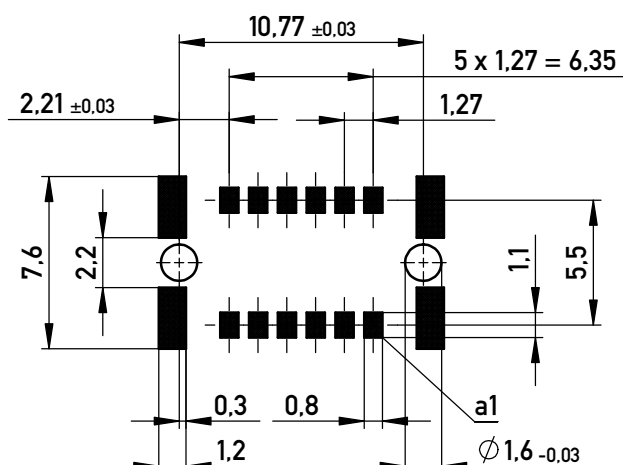
Verpackt im Gurt nach DIN IEC 60286-3
Tape on Reel Packaging according to DIN IEC 60286-3
 Verpackungseinheit: 250 Stück
Packaging unit: 250 pcs



Abspulrichtung - *Reel off Direction*



Leiterplatten-Layout Vorschlag für SMT
PCB-Layout Proposal for SMT



BA 8-23 hohe Bauhöhe
type 8-23 High Profile

Information:		Tolerances	 All Dimensions in mm	Scale 3:1	
All rights reserved. Only for Information. To ensure that this is the latest version of this drawing, please contact one of the ERNI companies before using.		Subject to modification without prior notice. Drawing will not be updated.		Designation Messerl. SMC-Q 12-SMD-BA8-23 <i>Male SMC-Q 12-SMD-type8-23</i>	
 www.ERNI.com		234206		I A3	
e	26.06.2015	Class		SMCQ	
Index	Date				

Copyright by ERNI GmbH
 Proprietary notice pursuant to ISO 16016 to be observed.