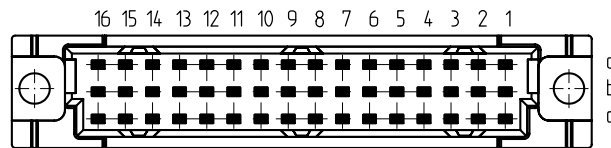
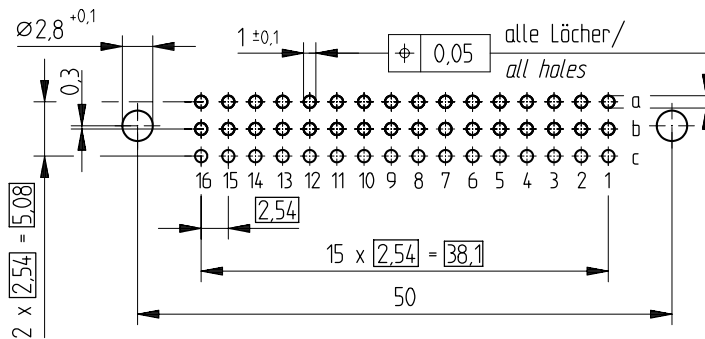


Bestückungsplan / contact layout ■ bestückt / assemble



Leiterplatten-Lochbild / PCB drillhole pattern



Tauchlötanschluß 0,65 x 0,3 mm / solder terminal 0,65 x 0,3 mm

Isolierwerkstoff / housing material : PBT GF30

Bauart 7 / type 7

Anforderungsstufe 2 = 400 Steckzyklen / performance class 2 = 400 mating cycles

Fehlende Maße und Angaben nach IEC 60 603-2 / DIN EN 60 603-2

Missing information and dimensions per IEC 60 603-2

Information:	Tolerances	 All Dimensions in mm	Scale	2:1
	All rights reserved. Only for information. To insure that this is the latest version of this drawing, please contact one of the ERNI companies before using.		Designation Federleiste C/2, 48 Löt Fem. Connector C/2, 48 Solder	
Consider protection memo from DIN 34 a Index	Date	23.05.2007	www.ERNI.com	
	H:00062226.SZA		284174	I
			STVC/2	