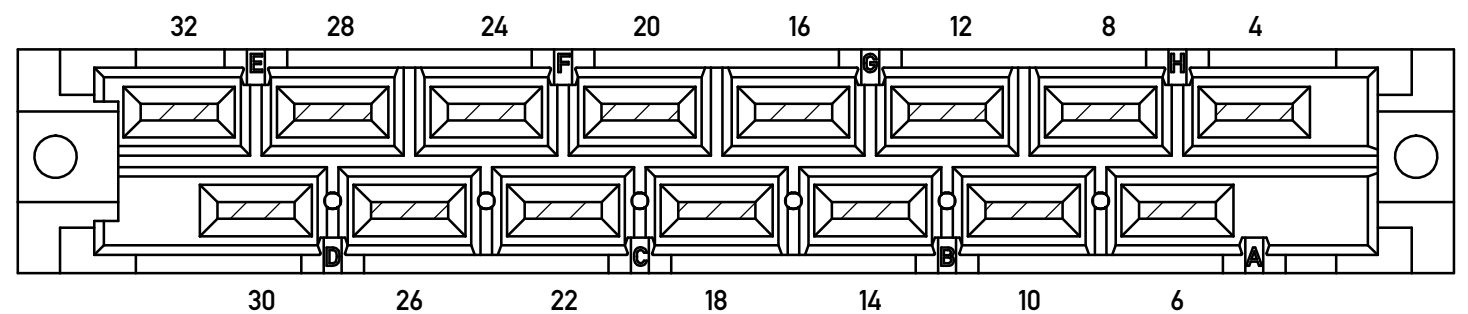


Flachstecker 6.3 x 0.8 mm / blade terminal 6.3 x 0.8 mm  
 Anforderungsstufe 1 = 500 Steckzyklen / performance class 1 = 500 mating cycles  
 Bauart 3 / type 3

Fehlende Masse und Angaben nach DIN EN 60603-2 /  
 Missing information and dimensions according to DIN EN 60603-2

Bestückungsplan / contact layout

= bestückt / assemble



|  |            |  |                      |   |        |
|--|------------|--|----------------------|---|--------|
| Information:   |            | Tolerances   | All Dimensions in mm | Scale                                     | 2:1    |
| All rights reserved. Only for Information. To ensure that this is the latest version of this drawing, please contact one of the ERNI companies before using. |            | Subject to modification without prior notice. Drawing will not be updated. |                      | Designation                               |        |
| Copyright by ERNI Production GmbH & Co. KG<br>Proprietary notice pursuant to ISO 16016 to be observed.   |            | www.ERNI.com   |                      | Federleiste H 15<br>Female Connector H 15 |        |
| e  | 01.07.2016 |  |                      | 413170                                    |        |
| Index  | Date       |  |                      | 1<br>A3                                   |        |
|  |            |  |                      | Class                                     | STVH15 |