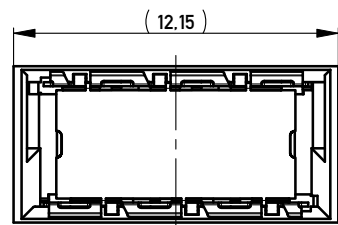
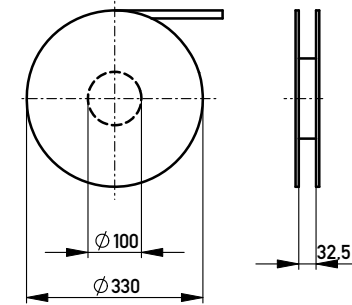
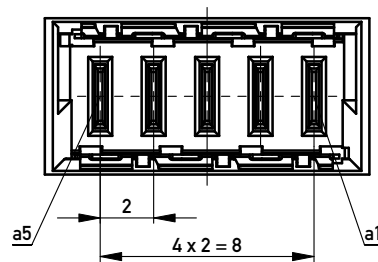


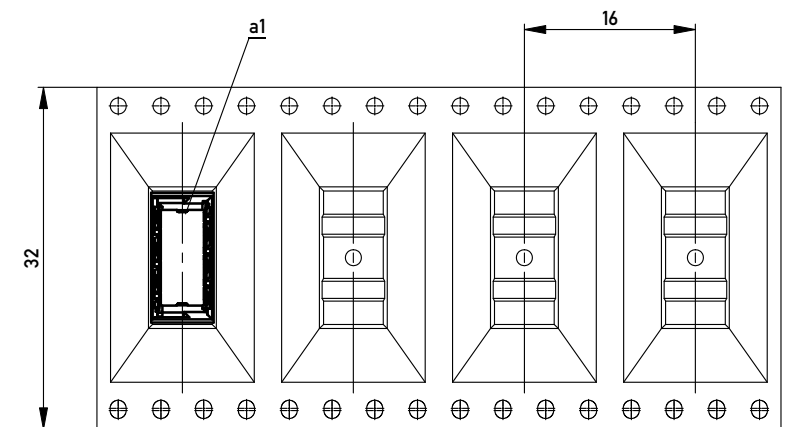
Verpackt in Gurtverpackung - *Tape on Reel Packaging*
 Verpackungseinheit: 420 Stück - *Packaging unit: 420 pcs*



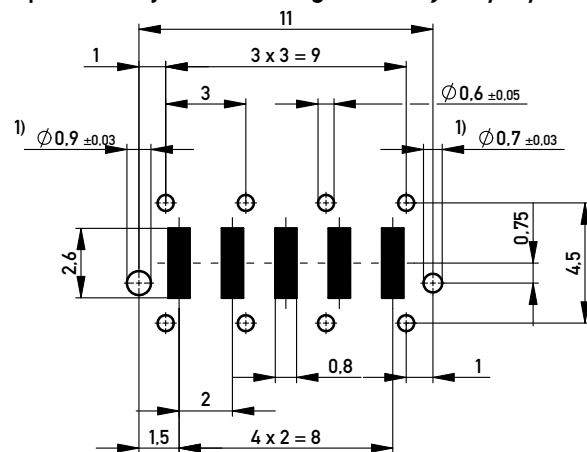
ohne Ansaughaube
without hood



Abspulrichtung - *Reel off Direction* →



Leiterplatten-Layout Vorschlag / *PCB-layout proposal*



Anforderungsstufe 1
Performance Level 1

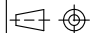

Kontaktbereich vergoldet
Mating Area gold plating

Anschlussbereich verzinkt 4-6µm
Terminal Area 4-6µm tin plating

Koplanarität der Anschlüsse ≤ 0.1mm
Coplanarity Area of Termination ≤ 0.1mm

1) Durchmesser des Bohrers / *Drill tool*

Copyright by ERNI GmbH
 Proprietary notice pursuant to ISO 16016 to be observed.

Information:		Tolerances		Scale	5:1
All rights reserved. Only for Information. To ensure that this is the latest version of this drawing, please contact one of the ERNI companies before using.		All Dimensions in mm		Designation	
Subject to modification without prior notice. Drawing will not be updated.				Messerleiste THR, Powerm. 2mm Male Con. THR, Powerm. 2mm	
www.ERNI.com		214917		I A3	
i	16.08.2010	Date		Class MSPEED	