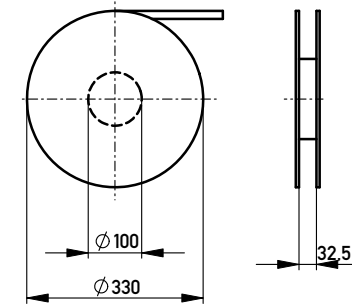
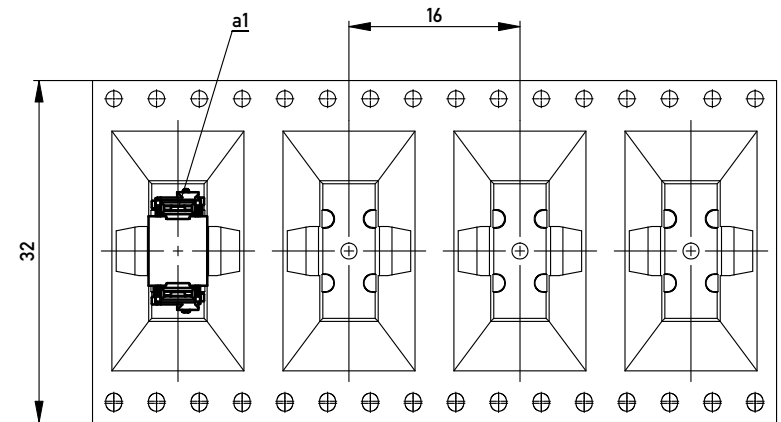
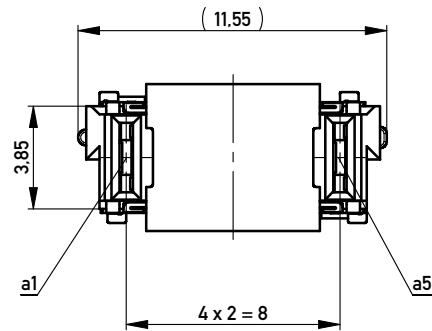


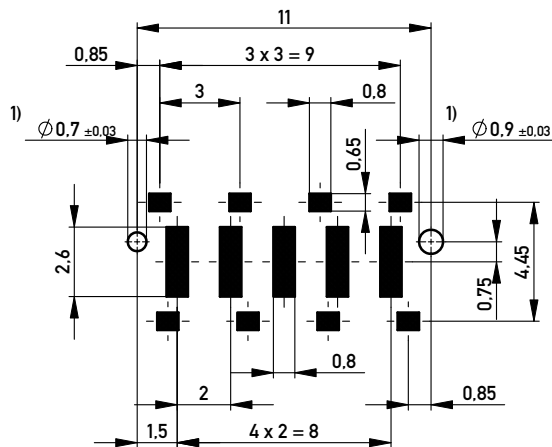
Verpackt in Gurtverpackung - *Tape on Reel Packaging*  
 Verpackungseinheit: 300 Stück - *Packaging unit: 300 pcs*



Abspulrichtung - *Reel off Direction* →



**Leiterplatten-Layout Vorschlag / PCB-layout proposal**



1) Durchmesser des Bohrers / *Drill tool*

Anforderungsstufe 1  
*Performance Level 1*

Kontaktbereich vergoldet  
*Mating Area gold plating*

Anschlussbereich verzinkt 4-6µm  
*Terminal Area 4-6µm tin plating*

Koplanarität der Anschlüsse ≤ 0.1mm  
*Coplanarity Area of Termination ≤ 0.1mm*

Information:		Tolerances	Scale 5:1
All rights reserved. Only for Information. To ensure that this is the latest version of this drawing, please contact one of the ERNI companies before using.		All Dimensions in mm	Designation <b>Federleiste SMD, Powerm. 10mm</b> <b>Female Con. SMD, Powerm. 10mm</b>
f	12.10.2010	Designation <b>214549</b>	
Index	Date	Class MSPEED	

Copyright by ERNI GmbH. Proprietary notice pursuant to ISO 16016 to be observed.