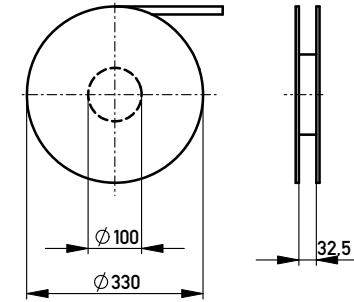
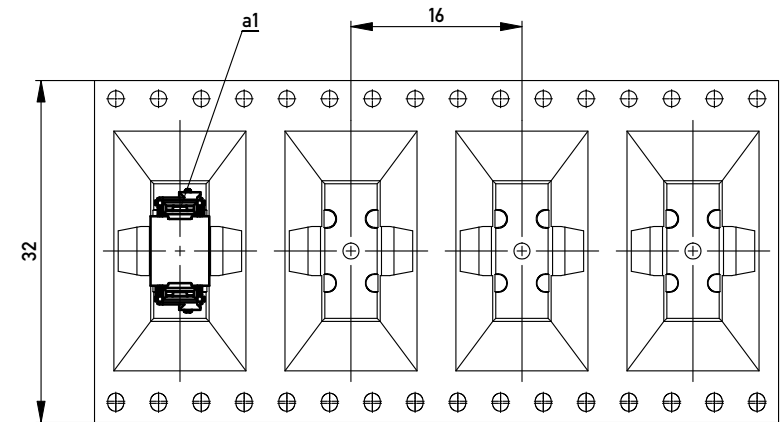
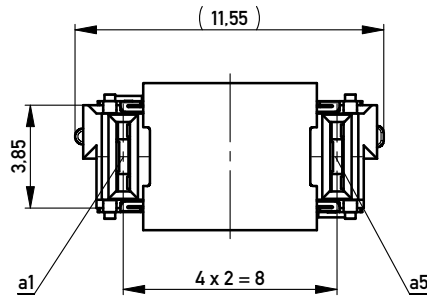


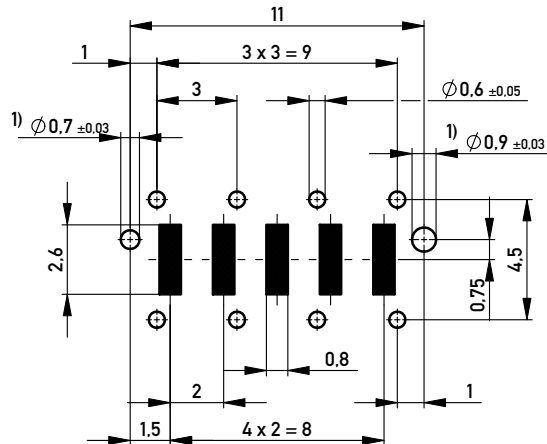
Verpackt in Gurtverpackung - *Tape on Reel Packaging*  
 Verpackungseinheit: 300 Stück - *Packaging unit: 300 pcs*



Abspulrichtung - *Reel off Direction* →



Leiterplatten-Layout Vorschlag / *PCB-layout proposal*





1) Durchmesser des Bohrers / *Drill tool*

Anforderungsstufe 1  
*Performance Level 1*

Kontaktbereich vergoldet  
*Mating Area gold plating*

Anschlussbereich verzinkt 4-6µm  
*Terminal Area 4-6µm tin plating*

Koplanarität der Anschlüsse ≤ 0.1mm  
*Coplanarity Area of Termination ≤ 0.1mm*

Information:  All rights reserved. Only for Information. To ensure that this is the latest version of this drawing, please contact one of the ERNI companies before using.	Tolerances  All Dimensions in mm	Scale 5:1	Designation <b>Federleiste THR, Powerm. 8mm</b> <i>Fedmale Con. THR, Powerm. 8mm</i>	
	Subject to modification without prior notice. Drawing will not be updated.	 www.ERNI.com	<b>214914</b>	I A3
f Index	11.08.2010 Date	Class MSPEED		

Copyright by ERNI GmbH  
 Proprietary notice pursuant to ISO 16106 to be observed.