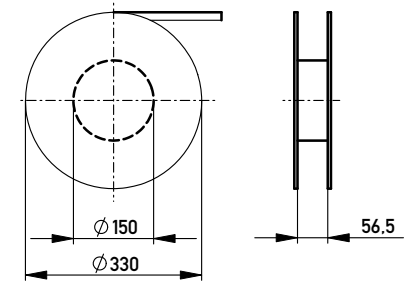
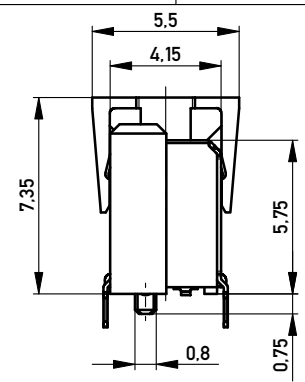
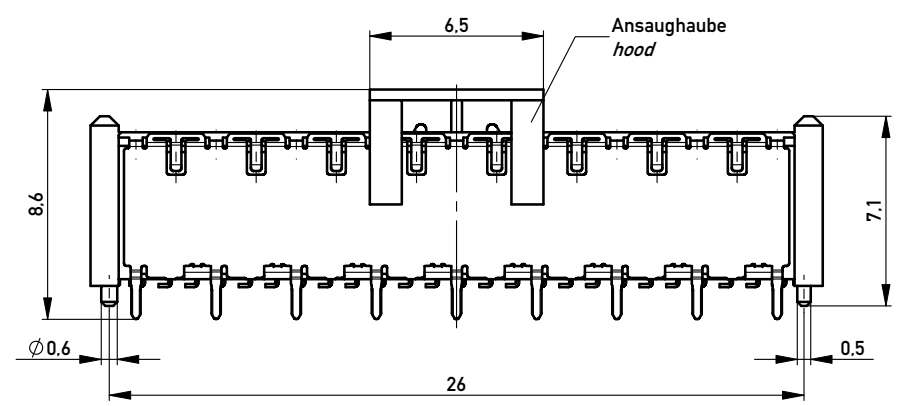
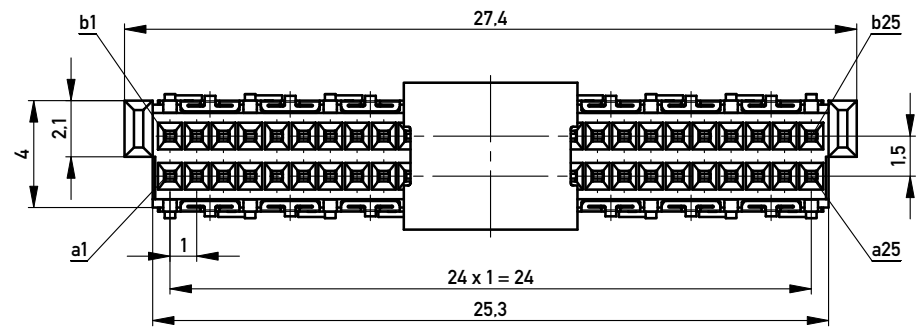


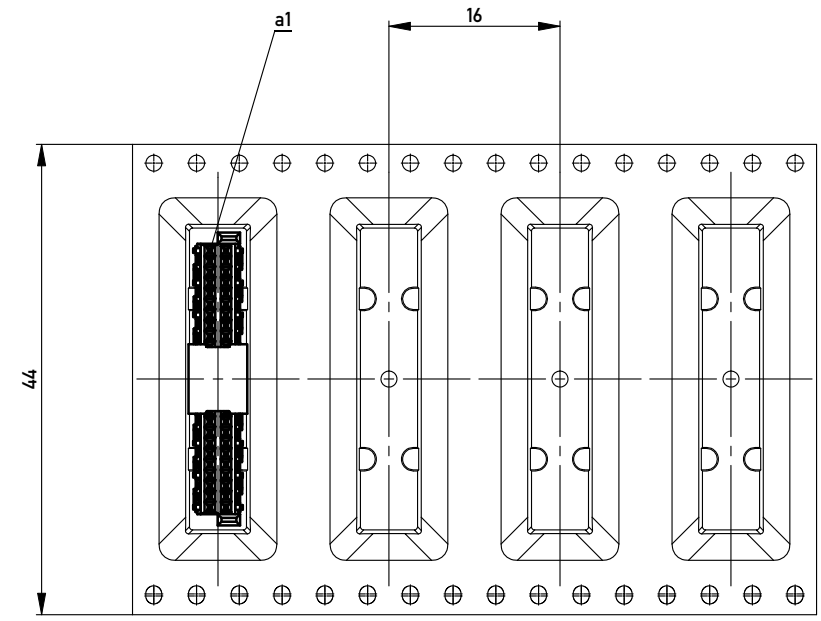
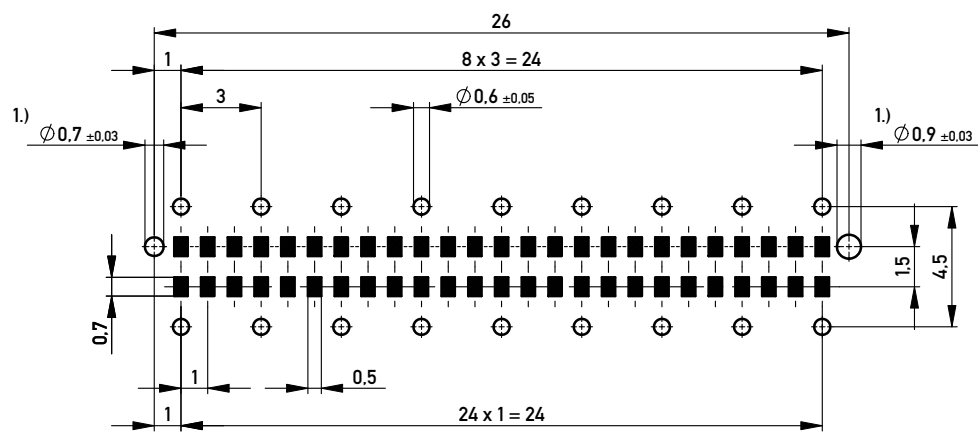
Verpackt in Gurtverpackung - Tape on Reel Packaging  
 Verpackungseinheit: 400 Stück - Packaging unit: 400 pcs



Abspulrichtung - Reel off Direction →



Leiterplatten-Layout Vorschlag / PCB-Layout Proposal



Anforderungsstufe 1  
 Performance Level 1

Kontaktbereich vergoldet  
 Mating Area gold plating

Anschlussbereich verzinkt 4-6µm  
 Terminal Area 4-6µm tin plating

Koplanarität der Anschlüsse ≤ 0.1mm  
 Coplanarity Area of Termination ≤ 0.1mm

1.) Durchmesser des Bohrers / Drill tool

Information:		Tolerances		Scale	5:1
All rights reserved. Only for Information. To ensure that this is the latest version of this drawing, please contact one of the ERNI companies before using.		Subject to modification without prior notice. Drawing will not be updated.		Designation	
		www.ERNI.com		F06 MSpeed BlindMate 50 THR	
				354177	
a	01.09.2010			I	
Index	Date			A3	
				Class	MSPEED

Copyright by ERNI GmbH  
 Proprietary notice pursuant to ISO 16106 to be observed.