

QG030-198/14

DC tangential blower

forward-curved



ebm-papst St. Georgen GmbH & Co. KG

Hermann-Papst-Str. 1

D-78112 St. Georgen

Phone +49 (0) 7724 81-0

Fax +49 (0) 7724 81-1309

info2@de.ebmpapst.com

www.ebmpapst.com

Nominal data

| Type | QG030-198/14 | |
|--------------------------|-------------------|----------|
| Nominal voltage | VDC | 24 |
| Nominal voltage range | VDC | 16 .. 28 |
| Power consumption | W | 8.0 |
| Min. ambient temperature | °C | -20 |
| Max. ambient temperature | °C | 60 |
| Air flow | m ³ /h | 100 |
| Sound power level | B | 5.8 |
| Sound pressure level | dB(A) | 51 |

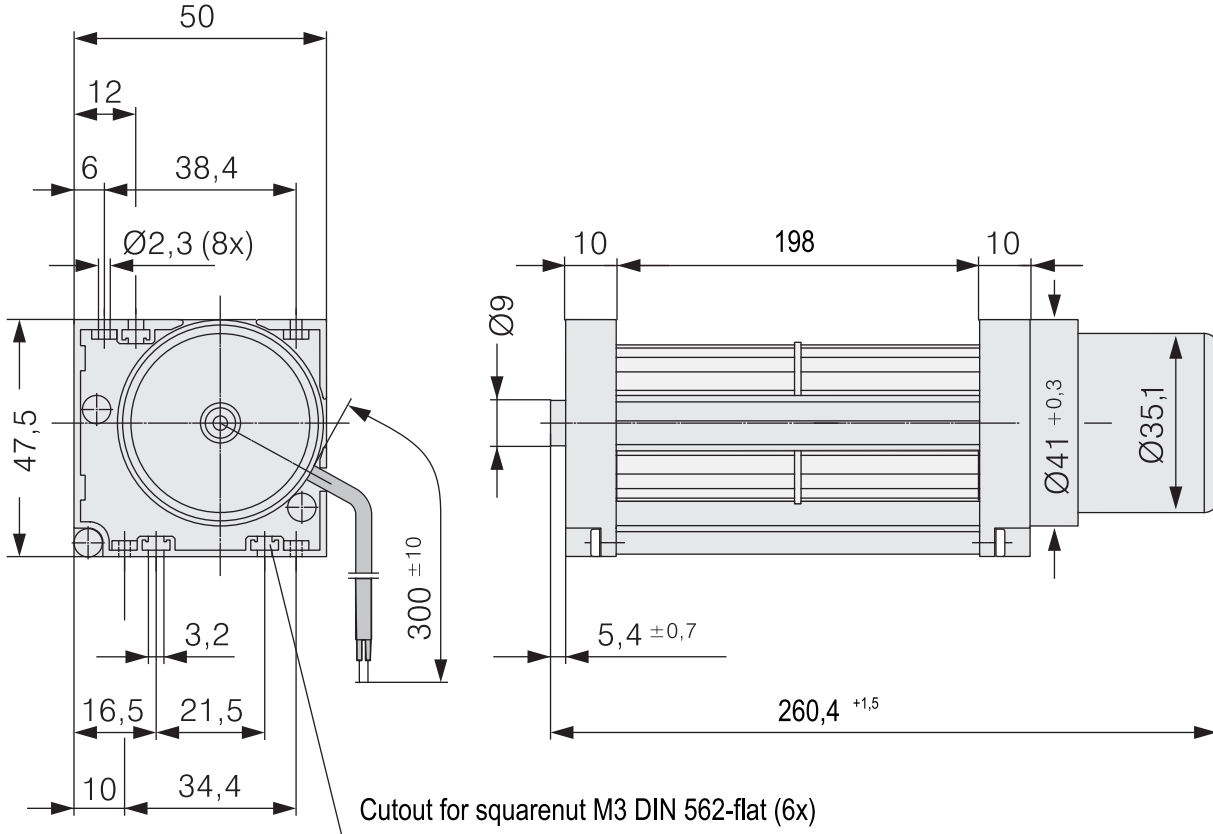
ml = Max. load · me = Max. efficiency · fa = Free air · cs = Customer specification · ce = Customer equipment
Subject to change



Technical description

| | |
|--|---|
| Weight | 0.290 kg |
| Impeller material | Aluminum |
| Housing material | Aluminum, housing side parts made of plastic. |
| Direction of rotation | Clockwise, viewed toward rotor |
| Storage | Motor with ball bearing system. Impeller retaining plate with sleeve bearing. |
| Service life L10 at 40 °C | 30000 h |
| Service life L10 at maximum temperature | 20000 h |
| Cable | With leads AWG 24, TR 64 |
| Motor protection | Protection against reverse polarity and blocked rotor. |
| Locked-rotor protection | Locked-rotor and overload protection |
| Approval | VDE, CSA, UL, CE |

Product drawing



Curves

