
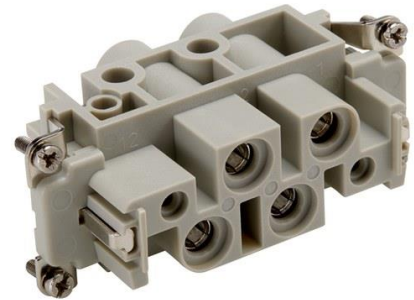


44424041	DATA SHEET	
Valid from: 02.06.2023	EPIC® POWER K 4/0	

Description

- Combination insert Power and Control
- High power in one connector insert
- Best in combination with ÖLFLEX® SERVO



General Characteristics

Series	K 4
Version	Male (Article 44424041) /Female(Article 44424042)
Number of Contacts	4 + PE
Termination Methods	Screw termination: 1.5 - 16.0 mm ²
Temperature Range	-40°C to +125°C

Mechanical Characteristics

Cycle of mechanical operation	500
-------------------------------	-----

Electrical Characteristics

Rated Voltage	830 V Power
Rated Voltage UL	600 V
Rated Voltage	600 V
Rated Impulse Voltage	8 kV
Rated Current	80 A Power
Contact Resistance	< 5 mOhm
Degree of Soiling	3

Materials and Surfaces

Insert	PC, polycarbonate
Flammability Class according to UL 94	V0
Contacts	CuZn
Contact plating	Ag (silver)

Approvals


UL-Approval E-File	E75770
--------------------	--------

Standards

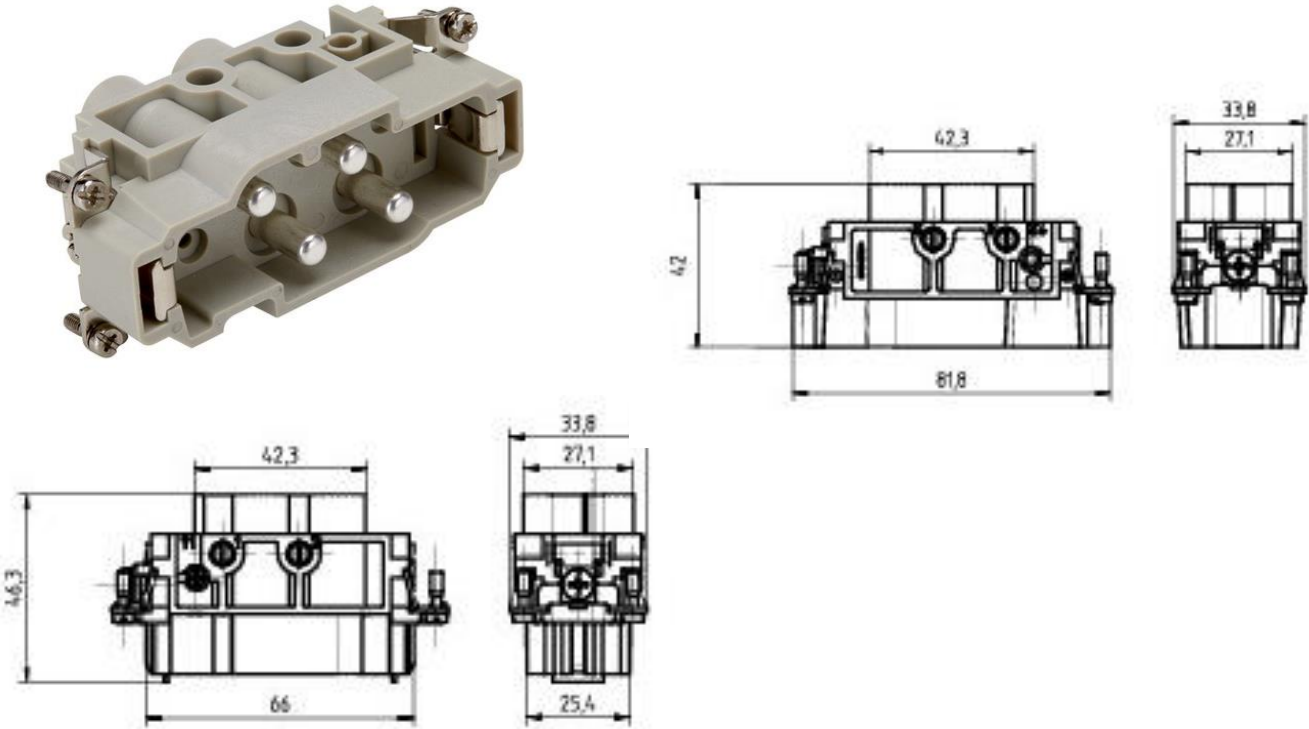
Safety Standards	IEC 61984, UL1977, CSA 22.2 182.3
------------------	-----------------------------------



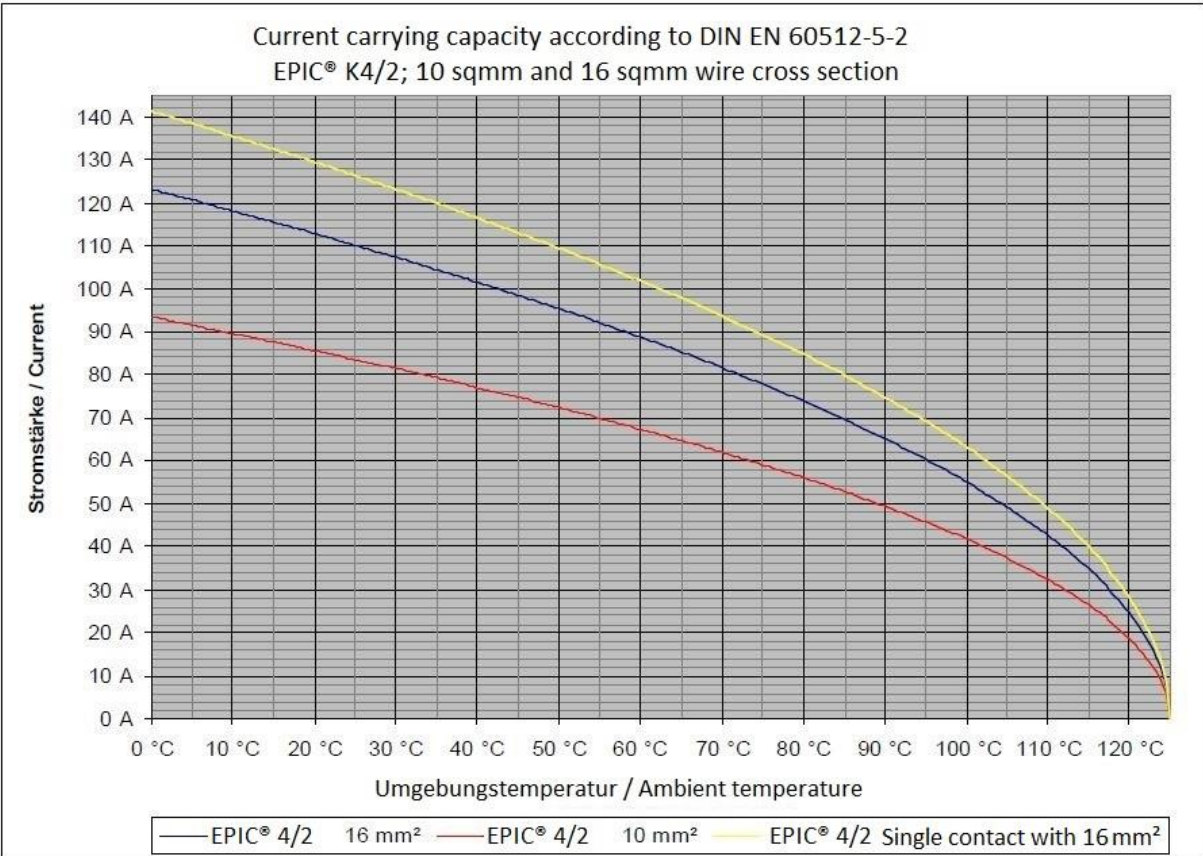
Creator: STKU3/PDP Released: IVSE1/PDP	Document: DB44424041EN Version: 04	Page 1 of 3
---	---------------------------------------	-------------

44424041	DATA SHEET	
Valid from: 02.06.2023	EPIC® POWER K 4/0	

Technical Drawing



Derating curve



44424041	DATA SHEET	
Valid from: 02.06.2023	EPIC® POWER K 4/0	



Industrial machinery and plant engineering



Temperature-resistant



Wind Energy

Info

Combination Insert Power

Application range

Mechanical engineering

Renewable energy

Control engineering

Remark

PE connection with a 16mm² wire only with the recommended ring lug 44424029.

The inserts must be used with the appropriate housings.

To connect stranded conductors, use an end sleeve.

Photographs are not to scale and do not represent detailed images of the respective products.

Creator: STKU3/PDP Released: IVSE1/PDP	Document: DB44424041EN Version: 04	Page 3 of 3
---	---------------------------------------	-------------