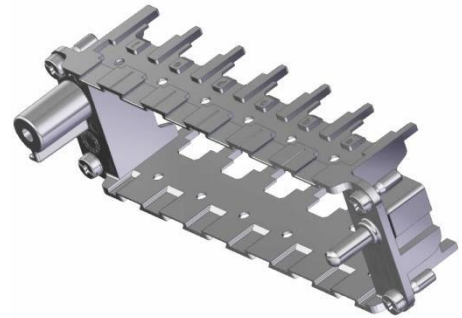


| | | |
|---------------------------|-----------------------------------|---|
| 44423241 | DATA SHEET |  |
| Valid from: 30.01.2020 | EPIC® MHB 24 R MULTI-FRAME | |

Description

- Multi- frame for recording own and third-party modules
- EPIC® MH system is pluggable with the market standard
- The mixing of various functions in one connector ensures a high degree of flexibility
- PE Connection from 1mm² to 6mm² with wire end ferrule, 10mm² with adapter
- Use for railway applications -Brand protection in rail vehicles: test according to EN 45545-2. Requirement sentences R22 and R23. Hazard levels HL1, HL2 and HL3



General Characteristics

| | |
|---------------------|-----------------------------------|
| Product description | EPIC® MHB 24 R (a, b, c, d, e, f) |
| Series | MH Multi-frame |
| Version | Female |
| Number of Modules | 6 |

Surfaces

| | |
|-------|------------------------|
| Frame | Zinc die casting alloy |
|-------|------------------------|

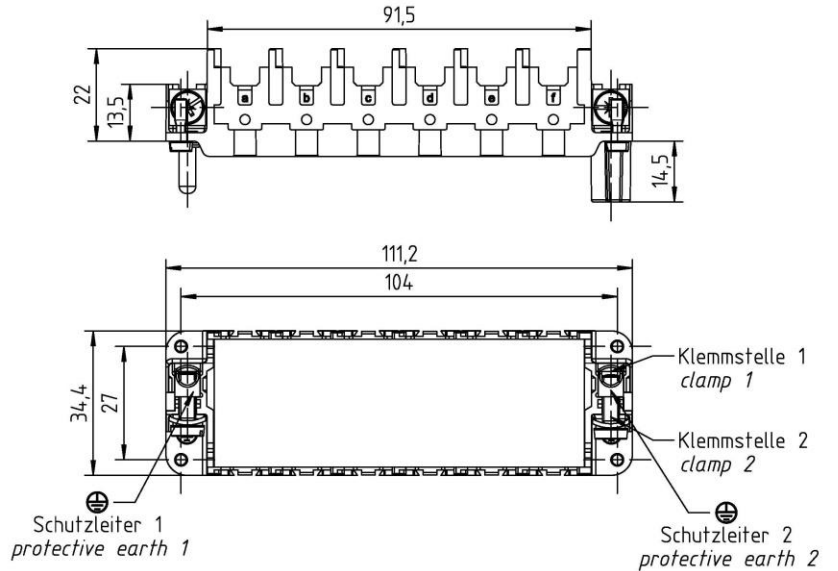
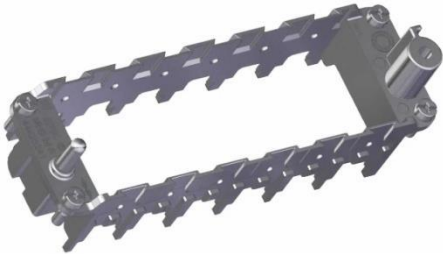
Standard

| | |
|-----------------|-----------|
| Safety Standard | IEC 61984 |
|-----------------|-----------|

| | | |
|---|---------------------------------------|-------------|
| Creator: ERTC1/PDP Released: IVSE1/PDP | Document: DB44423241EN Version: 02 | Page 1 of 2 |
|---|---------------------------------------|-------------|

| | | |
|---------------------------|-----------------------------------|---|
| 44423241 | DATA SHEET |  |
| Valid from: 30.01.2020 | EPIC® MHB 24 R MULTI-FRAME | |

Technical Drawing



Automation



Industrial machinery and plant engineering



Wind Energy

Info

Frame system for modules

Various functions can be used together in one connector

Product features

The MCR "male" frame version is designed for use with modules with male contacts; the "female" version is designed for use with modules with female contacts. The high design is to be used for sleeve housings

Remark

Photographs are not to scale and do not represent detailed images of the respective products.

| | | |
|---|---------------------------------------|-------------|
| Creator: ERTC1/PDP Released: IVSE1/PDP | Document: DB44423241EN Version: 02 | Page 2 of 2 |
|---|---------------------------------------|-------------|