



Part Number: D3I0501

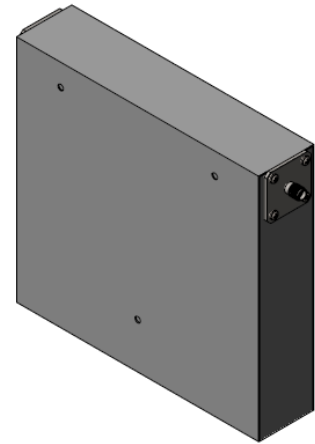
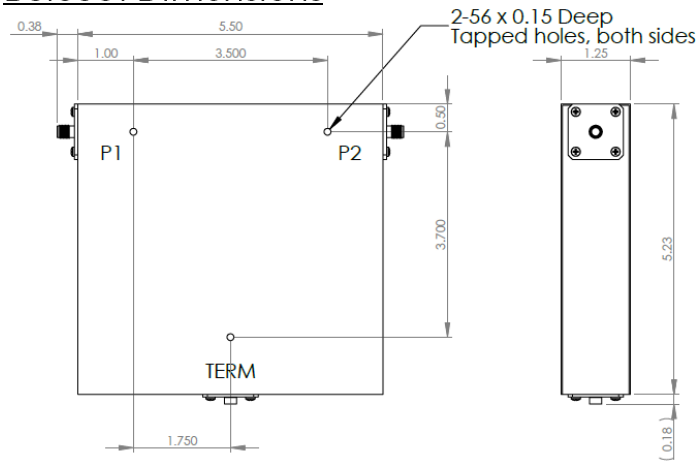
Electrical Specifications

Frequency Range (GHz):	0.5 – 1.0
Isolation (dB):	14 MIN
Insertion Loss (dB):	1.0 MAX
VSWR:	1.5:1 MIN
Forward Power (W):	40 AVG 50 PK
Reflective Power (W):	10 AVG

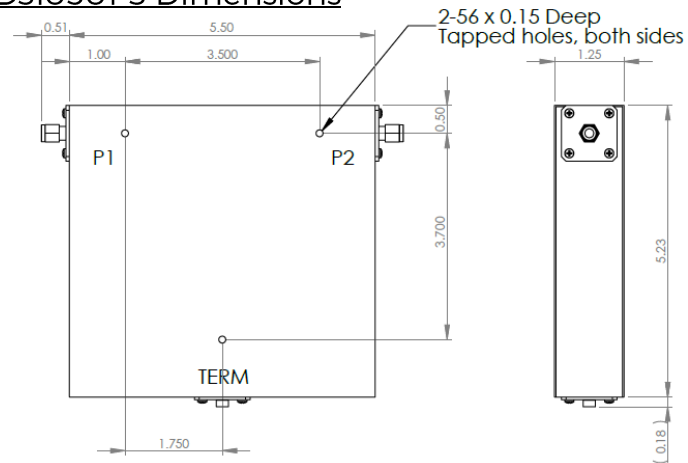
Mechanical/Environmental Specifications

Connector Type:	SMA
Connector Body:	Nickel Plated Brass
Connector Pin:	Gold plated copper
Load Body:	Brass
Magnetic Shunt:	Nickel plated CRS
Weight (oz)	50.0 MAX

D3I0501 Dimensions



D3I0501-3 Dimensions



Dimensions are in inches
Tolerance
XX ±0.03
XXX ±0.010

Type of Device	PN Suffix	Connector Configuration Input / Output	PN Example
Single and Dual Junction Isolator, 2-Port Device	N/A	Female / Female	D3I0501
	-1	Male / Female	D3I0501-1
	-2	Female / Male	D3I0501-2
	-3	Male / Male	D3I0501-3



MEASURED DATA

Part Number: D3I0501, +25°C

