



Part Number: D3C0710N

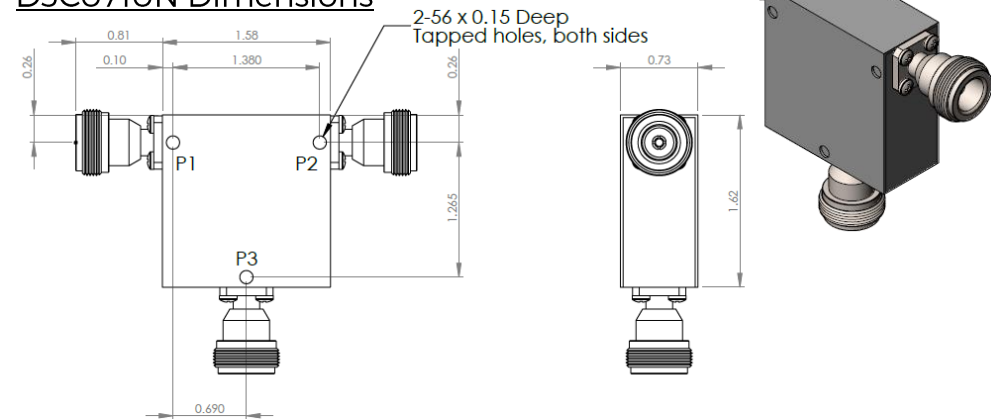
Electrical Specifications

Frequency Range (GHz):	0.7 – 1.0
Isolation (dB):	16 MIN
Insertion Loss (dB):	0.6 MAX
VSWR:	1.4:1 MIN
Forward Power (W):	300 AVG 750 PK

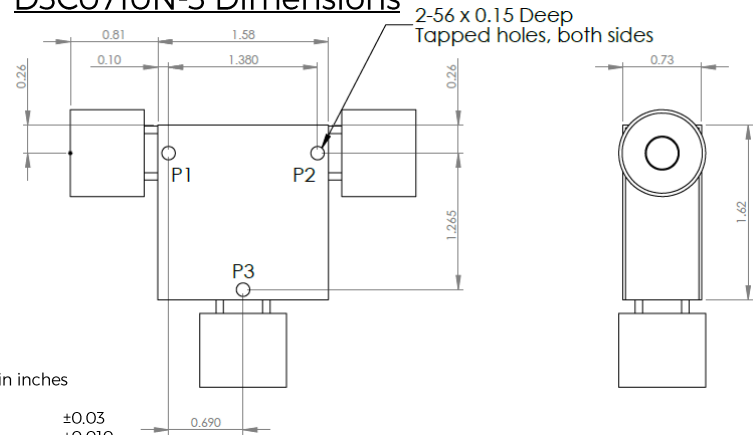
Mechanical/Environmental Specifications

Connector Type:	Type-N
Connector Body:	Nickel plated brass
Connector Pin:	Gold plated copper
Load Body:	Brass
Magnetic Shunt:	Nickel plated CRS
Operational Temp:	-20°C to +65°C
Weight (oz)	5.5 MAX

D3C0710N Dimensions



D3C0710N-3 Dimensions



Type of Device	PN Suffix	Connector Configuration Input / Output	PN Example
Single Junction Circulator 3-Port Device Port 1 / Port 2 / Port 3	No Dash	Female / Female / Female	D3C0710N
	-1	Male / Female / Female	D3C0710N-1
	-2	Female / Male / Female	D3C0710N-2
	-3	Male / Male / Male	D3C0710N-3
	-4	Female / Female / Male	D3C0710N-4
	-5	Male / Female / Male	D3C0710N-5
	-6	Male / Male / Female	D3C0710N-6
	-7	Female / Male / Male	D3C0710N-7



MEASURED DATA

Part Number: D3C0710N, P1→P2, P3 Terminated with 50Ω, +25°C

