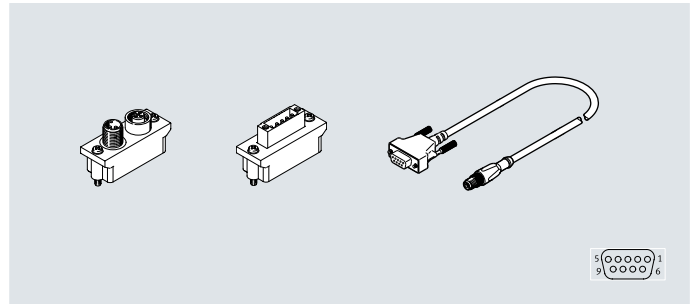


## Data sheet

## Fieldbus adapter FBA

Fieldbus adapter Sub-D, 9-pin on M12 or screw terminal, for CANopen and DeviceNet



## General technical data

Electrical connection 1	Straight socket, Sub-D, 9-pin, field device side
Type of mounting	2x screw 4-40 UNC
Nominal operating voltage [V DC]	24
Protocol	CANopen DeviceNet

## Electrical data

Type	FBA-2-M12-5POL	FBA-1-SL-5POL	FBA-CO-SUB-9-M12
Electrical connection 2	<ul style="list-style-type: none"> <li>Straight plug, M12x1, 5-pin, A-coded to EN 61076-2-101</li> <li>Straight socket, M12x1, 5-pin, A-coded to EN 61076-2-101</li> </ul>	Straight plug, 5-pin	Straight plug, M12x1, 5-pin, A-coded to EN 61076-2-101
Cable length [m]	0	0	0.1
Cable diameter [mm]	–	–	6.3
Cable composition [mm <sup>2</sup> ]	–	–	4 x 0.34, shielded
Conductor nominal cross section [mm <sup>2</sup> ]	–	–	0.34
Current rating [A]	4	4	–
Degree of protection to EN 60529	IP65	IP40	IP67 in assembled state

## Materials

Type	FBA-2-M12-5POL	FBA-1-SL-5POL	FBA-CO-SUB-9-M12
Housing	PA	PA	–
Housing colour	Black	Black	–
Cable sheath	–	–	TPE-U(PUR)
Pin contacts	Gold-plated bronze	Gold-plated bronze	–
Note on materials	RoHS-compliant	RoHS-compliant	Contains paint-wetting impairment substances

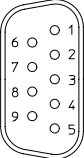
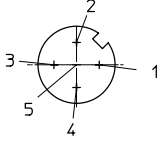
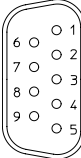
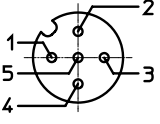
## Operating and environmental conditions

Type	FBA-2-M12-5POL	FBA-1-SL-5POL	FBA-CO-SUB-9-M12
Ambient temperature [°C]	–5 ... +50	–5 ... +50	–5 ... +50
Storage temperature [°C]	–20 ... +70	–20 ... +70	–

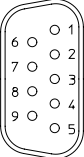
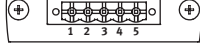
Data sheet

Pin allocation – Sub-D/opposite side

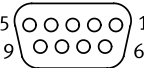
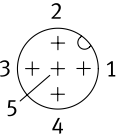
FBA-2-M12-5POL

Sub-D connection	Pin	Pin	Plug	Sub-D connection	Pin	Pin	Socket
	1	–			1	–	
	2	5			2	5	
	3	3			3	3	
	4	–			4	–	
	5	1			5	1	
	6	–			6	–	
	7	4			7	4	
	8	–			8	–	
	9	2			9	2	
	Housing	1			Housing	1	

FBA-1-SL-5POL

Sub-D connection	Pin	Pin	Plug
	1	–	
	2	2	
	3	1	
	4	–	
	5	3	
	6	–	
	7	4	
	8	–	
	9	5	
	Housing	3	

FBA-CO-SUB-9-M12

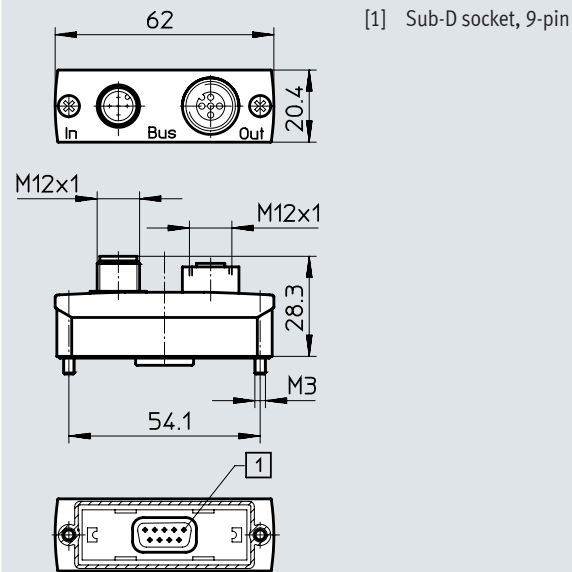
Sub-D connection	Pin	Pin	Plug
	1	–	
	2	5	
	3	3	
	4	–	
	5	1	
	6	3	
	7	4	
	8	–	
	9	2	
	Housing	1	

Data sheet

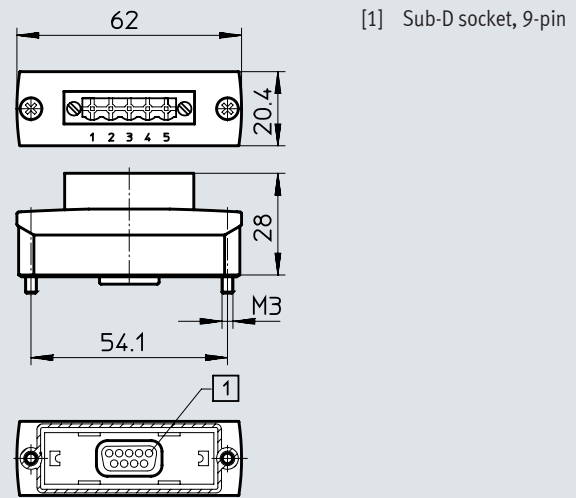
Download CAD data → [www.festo.com](http://www.festo.com)

Dimensions

FBA-2-M12-5POL



FBA-1-SL...



Ordering data

	Electrical connection 1	Electrical connection 2	Weight [g]	Part no.	Type
	Straight socket, Sub-D, 9-pin	<ul style="list-style-type: none"> <li>• Straight plug, M12x1, 5-pin</li> <li>• Straight socket, M12x1, 5-pin</li> </ul>	28	525632	FBA-2-M12-5POL
		Straight plug, 5-pin	26	525634	FBA-1-SL-5POL
		Straight plug, M12x1, 5-pin	-	540324	FBA-CO-SUB-9-M12

Ordering data – Accessories

	Electrical connection	Weight [g]	Part no.	Type
	Modular system for connecting cables 0.1 ... 30 m → Internet: nebu	-	-	NEBU-...

For FBA-2-M12-5POL

	Socket M12x1, 5-pin, straight	33	18324	FBSD-GD-9-5POL
	Plug M12x1, 5-pin, straight	23.5	175380	FBS-M12-5GS-PG9

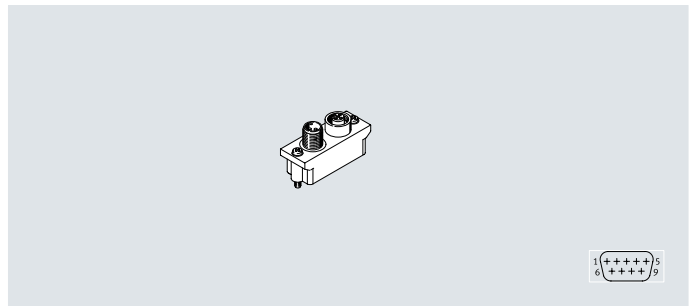
For FBA-1-SL-5POL

	<ul style="list-style-type: none"> <li>• Angled socket, 5-pin</li> <li>• Screw terminal, 5-pin</li> <li>• Degree of protection IP20</li> </ul>	20	525635	FBSD-KL-2x5POL
--	--	----	--------	----------------

## Data sheet

### Fieldbus adapter FBA

Fieldbus adapter Sub-D, 9-pin on M12 for PROFIBUS and CC-Link



General technical data	
Electrical connection 1	Straight plug, Sub-D, 9-pin, field device side
Type of mounting	2x screw 4-40 UNC
Nominal operating voltage [V DC]	24
Protocol	PROFIBUS
	CC-Link

Electrical data	
Electrical connection 2	<ul style="list-style-type: none"> <li>• Straight plug, M12x1, 5-pin, B-coded to EN 61076-2-101</li> <li>• Straight socket, M12x1, 5-pin, B-coded to EN 61076-2-101</li> </ul>
Degree of protection to EN 60529	IP65

Materials	
Seals	NBR
Note on materials	-

Operating and environmental conditions		
Ambient temperature [°C]		0 ... +50
Storage temperature [°C]		-20 ... +70
Relative humidity [%]		95, non-condensing

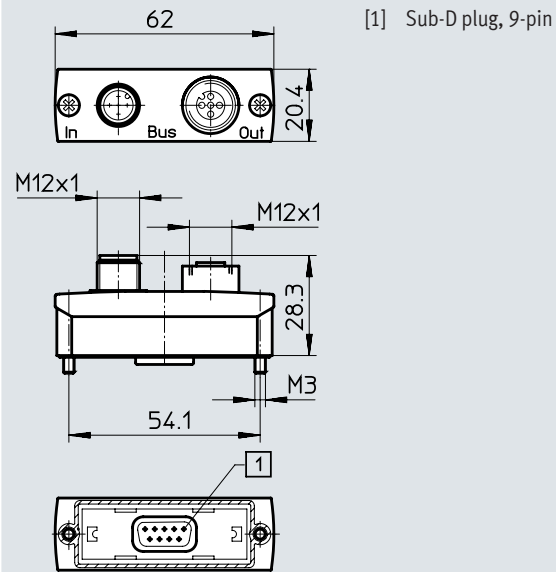
### Pin allocation – Sub-D/opposite side

FBA-2-M12-5POL-RK

Sub-D connection	Pin	Pin	Plug	Sub-D connection	Pin	Pin	Socket
	1	5			1	5	
	2	-			2	-	
	3	4			3	4	
	4	-			4	-	
	5	-			5	3	
	6	-			6	1	
	7	-			7	-	
	8	2			8	2	
	9	-			9	-	
Housing	Housing	Housing	Housing				

## Data sheet

## Dimensions

Download CAD data → [www.festo.com](http://www.festo.com)

## Ordering data

	Electrical connection 1	Electrical connection 2	Weight [g]	Part no.	Type
	Straight plug, Sub-D, 9-pin	<ul style="list-style-type: none"> <li>• Straight plug, M12x1, 5-pin</li> <li>• Straight socket, M12x1, 5-pin</li> </ul>	80	<b>533118</b>	<b>FBA-2-M12-5POL-RK</b>

## Ordering data – Accessories

	Electrical connection	Weight [g]	Part no.	Type
	Modular system for connecting cables 0.1 ... 30 m → Internet: nebu	–	–	<b>NEBU-...</b>

## For FBA-2-M12-5POL-RK

	Socket M12x1, 5-pin, straight	48	<b>1067905</b>	<b>NECU-M-B12G5-C2-PB</b>
	Plug M12x1, 5-pin, straight	46	<b>1066354</b>	<b>NECU-M-S-B12G5-C2-PB</b>

# Festo - Your Partner in Automation



**1 Festo Inc.**  
5300 Explorer Drive  
Mississauga, ON L4W 5G4  
Canada

**Festo Customer Interaction Center**  
Tel: 1 877 463 3786  
Fax: 1 877 393 3786  
Email: customer.service.ca@festo.com



**2 Festo Pneumatic**  
Av. Ceylán 3,  
Col. Tequesquináhuac  
54020 Tlalnepantla,  
Estado de México

**Multinational Contact Center**  
01 800 337 8669  
ventas.mexico@festo.com



**3 Festo Corporation**  
1377 Motor Parkway  
Suite 310  
Islandia, NY 11749

**Festo Customer Interaction Center**  
1 800 993 3786  
1 800 963 3786  
customer.service.us@festo.com



**4 Regional Service Center**  
7777 Columbia Road  
Mason, OH 45040

Connect with us



[www.festo.com/socialmedia](http://www.festo.com/socialmedia)



[www.festo.com](http://www.festo.com)

Subject to change