

Revisions			
REV.	ECN NO.	Description	DATE
x1		INITIAL RELEASE	07/09'15

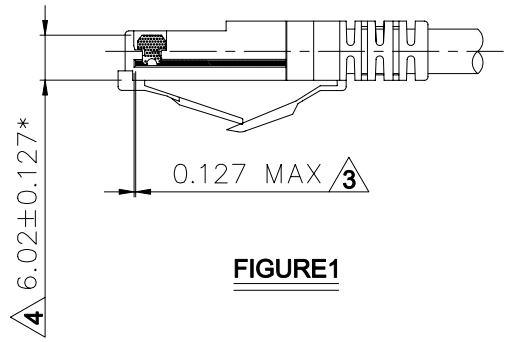
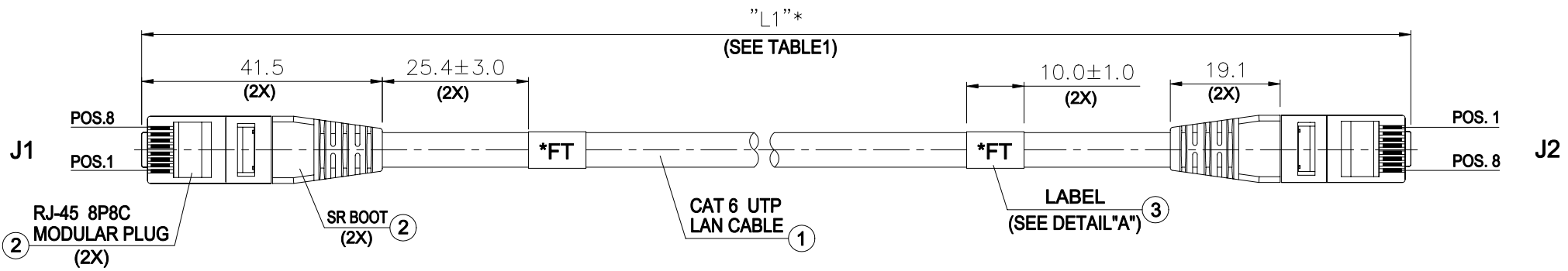
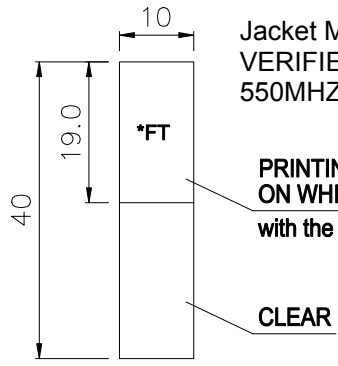


FIGURE 1

- Colors Available:
- Blue
 - Black
 - Green
 - Gray
 - Orange
 - Red
 - White
 - Purple
 - Yellow



DETAIL "A"
SCALE 1:1

Jacket Marking: Clearfit® E475542 S (UL) CM 75 4PR 24AWG ETL
 VERIFIED TO ANSI/TIA-568-C.2 CAT.6 PATCH CABLE UTP
 550MHZ -- -xxxxFT

Cable built to pass component level testing

WIRE CONNECTION TABLE (T568B) :

J1		J2
1	WHITE / ORANGE	1
2	ORANGE	2
3	WHITE / GREEN	3
6	GREEN	6
5	WHITE / BLUE	5
4	BLUE	4
7	WHITE / BROWN	7
8	BROWN	8

NO.	ITEM	Q'TY	DESCRIPTION
3	LABEL	2PCS	W=10.0MM , L=40.0MM .
2	RJ-45 8P8C MODULAR PLUG	2SETS	CONTACT: 50u" GOLD PLATED ; BODY: PC , NATURAL UL94V-2 ; INSULATOR APERTURE: ID=Ø1.0MM ; SR BOOT: ID.=Ø6.5mm , L=19.1mm. COLOR: CLEAR .
1	CAT 6 UTP LAN CABLE	1PC	#24(7/0.20)*4P+CROSS(PE)+JACKET: PVC , COLOR: SEE TABLE 1 , OD=Ø6.0±0.15MM , UL CM .

METRIC	ANGLES	RFQ NO.	DWG NO.	TITLE:	REV.	x1	UNIT:	mm		
.XX±0.20	.X° ±0.5°	DATE: Jul.09 '15	SHEET 1 OF 3	ClearFit Cat6 Patch Cable	⊙	⊙	SCALE:	Free		
.X±0.50	.° ±1°	CUSTOMER:			SP P/N:					
.1.0					Drawn :					
SYMBOL	Q'TY				DESCRIPTION		Checked :		OU 07/09'15	
☒					CRITICAL DIMENSION		Approval :			
*		MAJOR DIMENSION								