

CIRCUIT BOARD HARDWARE

A wide range of plastic spacers, metal spacers and standoffs for use in Printed Circuit Boards (PCBs) to aid the support, spacing, locking, and guiding of the board within electronic applications. The majority of support posts and spacers are designed to be installed manually by hand and do not require automated assembly equipment. Nylon and metal spacers are available, with different mounting types, like adhesives, screws, rivets, snap-lock and snap-fit. Standoffs and spacers are available in a wide array of materials, e.g. UV- and heat stabilized polyamide.

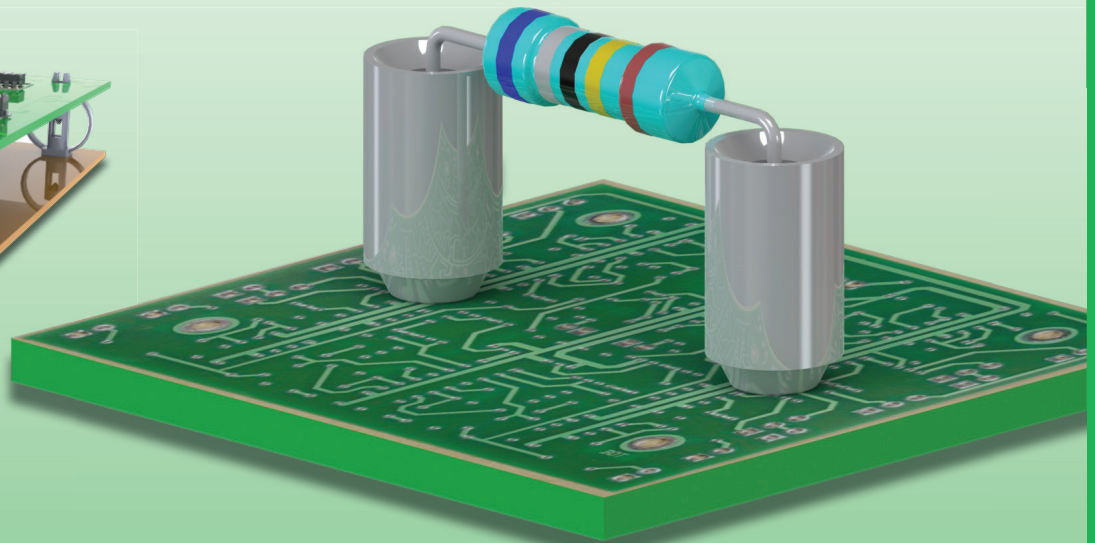
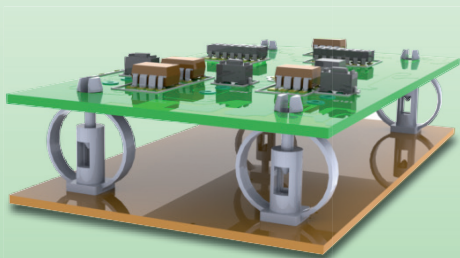
Terminology

Snap-Lock

A snap-in mount that is pushed through the hole in the panel or chassis, which closes and snaps open on the opposite side to give a mechanical and secure lock. To remove, simply squeeze the locking device of the spacer/support.

Snap-Fit

A snap-in mount that is pushed through a hole in a panel or chassis and deflects on the opposite side to produce a mechanical pressure hold. To remove simply pull or push, no squeezing of the device is required.

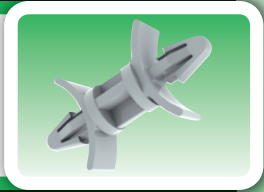




CIRCUIT BOARD HARDWARE

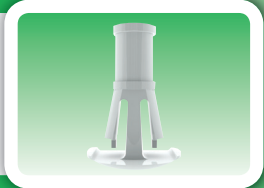
Dual Locking Spacers

118-132



Push Spacers

133-135



Reverse Locking Spacers

136-140



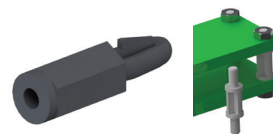
Specialist Spacers

140-147



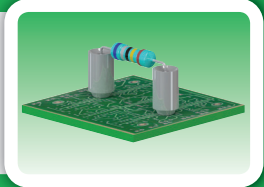
Threaded / Metal Spacers

147-162



Insulators

163-165



DUAL LOCKING SPACERS

Locking Circuit Board Support

LCBST/CLCBST/LMSP/CBS/LNCBS

Natural

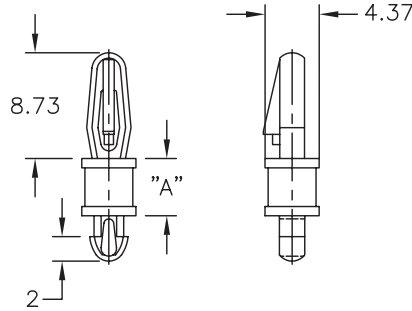


LCBST

Top Hole: Snap-lock: 3.18 ± 0.05

Panel Thickness: 1.57

Type 1



Bottom Hole: Snap-lock: 2.54 ± 0.05

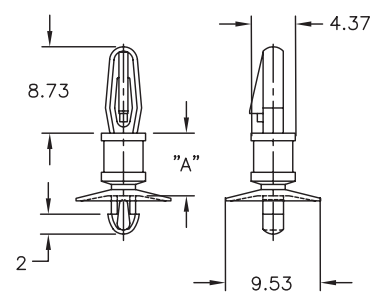
Panel Thickness: 1.63 Max.

CLCBST

Top Hole: Snap-lock: 3.18 ± 0.05

Panel Thickness: 1.57

Type 2



Bottom Hole: Snap-lock: 2.54 ± 0.05

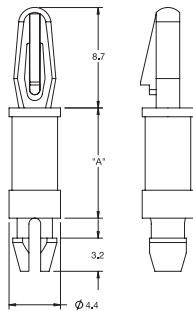
Panel Thickness: 1.57

LMSP

Top Hole: Snap-lock: 3.18 ± 0.05

Panel Thickness: 1.57

Type 3



Bottom Hole: Snap-lock: 3.18 ± 0.05

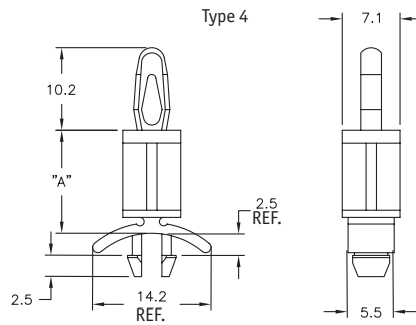
Panel Thickness: 1.57

CBS

Top Hole: Snap-fit: 4 ± 0.08

Panel Thickness: 1.57

Type 4



Bottom Hole: Snap-lock: 4.75 ± 0.08

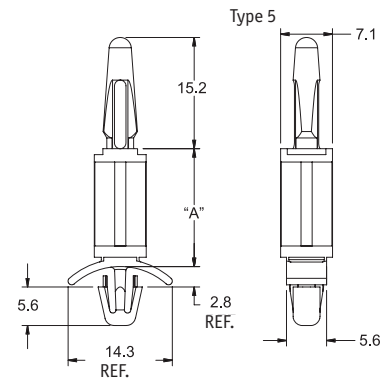
Panel Thickness: 0.79 - 1.98

LNCBS

Top Hole: Snap-fit: 4 ± 0.08

Panel Thickness: 1.57

Type 5



Bottom Hole: Snap-lock: 4.75 ± 0.08

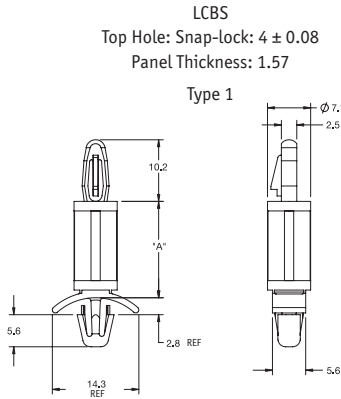
Panel Thickness: 0.79 - 1.98

Part Number							"A" Standoff Height	Std Pack Qty
LCBST (Type 1)	CLCBST (Type 2)	LMSP (Type 3)		CBS (Type 4)		LNCBS (Type 5)		
UL94 V2 Nylon 6/6, RMS-01	UL94 V2 Nylon 6/6, RMS-01	UL94 V2 Nylon 6/6 RMS-01	UL94 V0 Nylon 6/6, RMS-19	UL94 V2 Nylon 6/6, RMS-01	UL94 V0 Nylon 6/6, RMS-19	UL94 V2 Nylon 6/6, RMS-01		
LCBST-2-01	CLCBST-2-01	LMSP-2-01	LMSP-2-19	-	-	-	3.2	1000
LCBST-3-01	CLCBST-3-01	LMSP-3-01	LMSP-3-19	CBS-3-01	CBS-3-19	LNCBS-3-01	4.8	1000
LCBST-4-01	CLCBST-4-01	LMSP-4-01	LMSP-4-19	CBS-4-01	CBS-4-19	LNCBS-4-01	6.4	1000
LCBST-5-01	CLCBST-5-01	LMSP-5-01	LMSP-5-19	-	-	-	7.9	1000
LCBST-6-01	CLCBST-6-01	LMSP-6-01	LMSP-6-19	CBS-6-01	CBS-6-19	LNCBS-6-01	9.5	1000
LCBST-7-01	CLCBST-7-01	LMSP-7-01	LMSP-7-19	-	-	-	11.1	1000
LCBST-8-01	CLCBST-8-01	LMSP-8-01	LMSP-8-19	CBS-8-01	CBS-8-19	LNCBS-8-01	12.7	1000
LCBST-9-01	CLCBST-9-01	LMSP-9-01	LMSP-9-19	-	-	-	14.3	1000
LCBST-10-01	CLCBST-10-01	LMSP-10-01	LMSP-10-19	CBS-10-01	CBS-10-19	LNCBS-10-01	15.9	1000
-	-	LMSP-12-01	LMSP-12-19	CBS-12-01	CBS-12-19	LNCBS-12-01	19.1	1000
-	-	LMSP-14-01	LMSP-14-19	CBS-14-01	CBS-14-19	LNCBS-14-01	22.2	1000

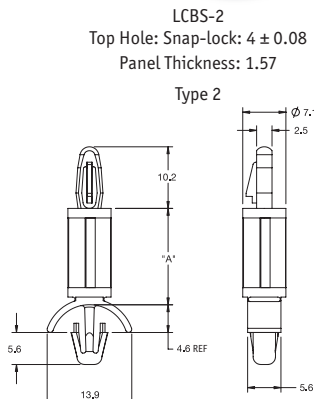
Locking Circuit Board Support

LCBS

Natural

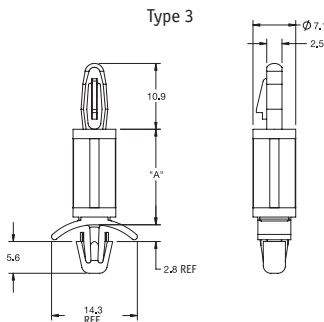


Bottom Hole: Snap-lock: 4.75 ± 0.08
Panel Thickness: 0.79 - 1.98



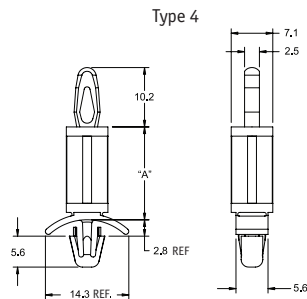
Bottom Hole: Snap-lock: 4.75 ± 0.08
Panel Thickness: 1.98 - 3.58

LCBS-3
Top Hole: Snap-lock: 4 ± 0.08
Panel Thickness: 2.4

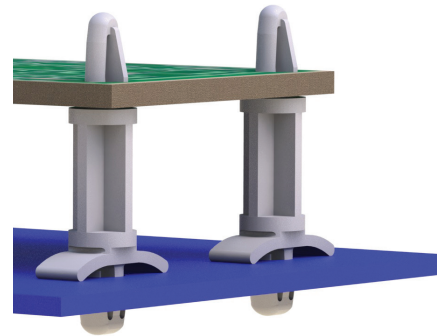


Bottom Hole: Snap-lock: 4.75 ± 0.08
Panel Thickness: 0.79 - 1.98

LCBS-4
Top Hole: Snap-fit: $\emptyset 4 \pm 0.08$
Panel Thickness: 1.57

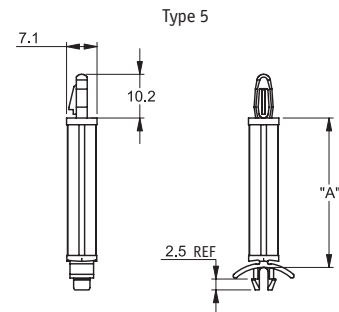


Bottom Hole: Snap-lock: $\emptyset 4.75 \pm 0.08$
Panel Thickness: 0.79 - 1.98



Can't find the size you are looking for? Contact us!

LCBS-5
Top Hole: Snap-Lock: $\emptyset 4 \pm 0.08$
Panel Thickness: 1.6



Bottom Hole: Snap-lock: $\emptyset 4.8 \pm 0.08$
Panel Thickness: 0.76 - 2

LCBS (Type)		LCBS-2 (Type 2)		LCBS-3 (Type 3)		LCBS-4 (Type 4)		LCBS-5 (Type 5)		"A" Standoff Height 4.8	Std Pack Qty
UL94 V2 Nylon 6/6, RMS-01	UL94 V0 Nylon 6/6, RMS-19	UL94 V2 Nylon 6/6, RMS-01	UL94 V0 Nylon 6/6, RMS-19	UL94 V2 Nylon 6/6, RMS-01	UL94 V0 Nylon 6/6, RMS-19	UL94 V2 Nylon 6/6, RMS-01	UL94 V0 Nylon 6/6, RMS-19	UL94 V2 Nylon 6/6, RMS-01	UL94 V0 Nylon 6/6, RMS-19		
LCBS-3-01	LCBS-3-19	LCBS-2-3-01	LCBS-2-3-19	LCBS-3-3-01	LCBS-3-3-19	LCBS-4-3-01	LCBS-4-3-19	LCBS-5-3-01	LCBS-5-3-19	6	1000
LCBS-6M-01	LCBS-6M-19	-	-	-	-	-	-	-	-	6	1000
LCBS-4-01	LCBS-4-19	LCBS-2-4-01	LCBS-2-4-19	LCBS-3-4-01	LCBS-3-4-19	LCBS-4-4-01	LCBS-4-4-19	LCBS-5-4-01	LCBS-5-4-19	6.4	1000
LCBS-5-01	LCBS-5-19	LCBS-2-5-01	LCBS-2-5-19	LCBS-3-5-01	LCBS-3-5-19	LCBS-4-5-01	LCBS-4-5-19	LCBS-5-5-01	LCBS-5-5-19	7.9	1000
LCBS-8M-01	LCBS-8M-19	-	-	-	-	-	-	-	-	8	1000
LCBS-6-01	LCBS-6-19	LCBS-2-6-01	LCBS-2-6-19	LCBS-3-6-01	LCBS-3-6-19	LCBS-4-6-01	LCBS-4-6-19	LCBS-5-6-01	LCBS-5-6-19	9.5	1000
LCBS-10M-01	LCBS-10M-19	-	-	-	-	-	-	-	-	10	1000
LCBS-7-01	LCBS-7-19	LCBS-2-7-01	LCBS-2-7-19	LCBS-3-7-01	LCBS-3-7-19	LCBS-4-7-01	LCBS-4-7-19	LCBS-5-7-01	LCBS-5-7-19	11.1	1000
LCBS-12M-01	LCBS-12M-19	-	-	-	-	-	-	-	-	12	1000
LCBS-8-01	LCBS-8-19	LCBS-2-8-01	LCBS-2-8-19	LCBS-3-8-01	LCBS-3-8-19	LCBS-4-8-01	LCBS-4-8-19	LCBS-5-8-01	LCBS-5-8-19	12.7	1000
LCBS-14M-01	LCBS-14M-19	-	-	-	-	-	-	-	-	14	1000
LCBS-10-01	LCBS-10-19	LCBS-2-10-01	LCBS-2-10-19	LCBS-3-10-01	LCBS-3-10-19	LCBS-4-10-01	LCBS-4-10-19	LCBS-5-10-01	LCBS-5-10-19	15.9	1000
LCBS-16M-01	LCBS-16M-19	-	-	-	-	-	-	-	-	16	1000
LCBS-12-01	LCBS-12-19	LCBS-2-12-01	LCBS-2-12-19	LCBS-3-12-01	LCBS-3-12-19	LCBS-4-12-01	LCBS-4-12-19	LCBS-5-12-01	LCBS-5-12-19	19.1	1000
LCBS-14-01	LCBS-14-19	LCBS-2-14-01	LCBS-2-14-19	LCBS-3-14-01	LCBS-3-14-19	LCBS-4-14-01	LCBS-4-14-19	LCBS-5-14-01	LCBS-5-14-19	22.2	1000
LCBS-16-01	LCBS-16-19	LCBS-2-16-01	LCBS-2-16-19	LCBS-3-16-01	LCBS-3-16-19	LCBS-4-16-01	LCBS-4-16-19	LCBS-5-16-01	LCBS-5-16-19	25.4	1000
LCBS-18-01	LCBS-18-19	LCBS-2-18-01	LCBS-2-18-19	LCBS-3-18-01	LCBS-3-18-19	LCBS-4-18-01	LCBS-4-18-19	LCBS-5-18-01	LCBS-5-18-19	28.6	1000
LCBS-20-01	LCBS-20-19	LCBS-2-20-01	LCBS-2-20-19	LCBS-3-20-01	LCBS-3-20-19	LCBS-4-20-01	LCBS-4-20-19	LCBS-5-20-01	LCBS-5-20-19	31.7	1000
LCBS-22-01	LCBS-22-19	LCBS-2-22-01	LCBS-2-22-19	LCBS-3-22-01	LCBS-3-22-19	LCBS-4-22-01	LCBS-4-22-19	LCBS-5-22-01	LCBS-5-22-19	34.9	1000

DUAL LOCKING SPACERS

Locking Circuit Board Support *CONTINUED*

LCBS

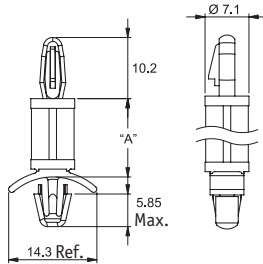
- Type 10 - Max Temperature 200°C



LCBS-6

Top Hole: Snap-lock: $\varnothing 4$
Panel Thickness: 3.2

Type 6

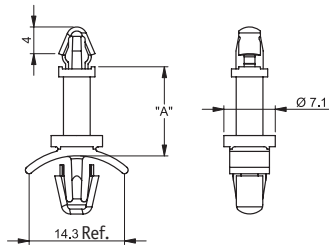


Bottom Hole: $\varnothing 4.8$
Panel Thickness: 2 - 3.2

LCBS-7

Top Hole: Snap-lock: $\varnothing 4 \pm 0.08$
Panel Thickness: 1.6

Type 7

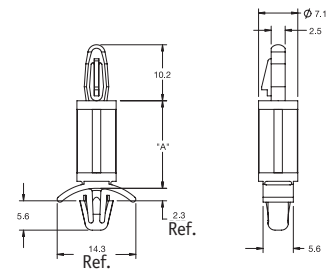


Bottom Hole Snap-lock: $\varnothing 4.75 \pm 0.08$
Panel Thickness: 0.8 - 2

LCBS-8

Top Hole: Snap-lock: 4 ± 0.08
Panel Thickness: 1.57

Type 8

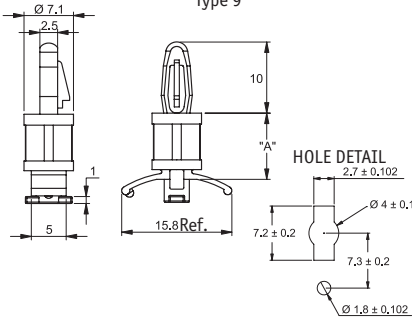


Bottom Hole: Snap-lock: 4.75 ± 0.08
Panel Thickness: 0.2 - 1.4

LCBS-9

Top Hole: Snap-lock: $\varnothing 4 \pm 0.08$
Panel Thickness: 1.6

Type 9

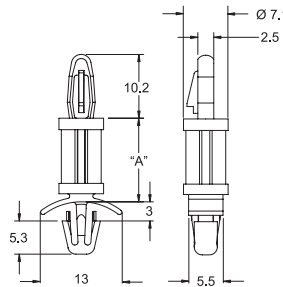


Bottom Hole: See Hole Detail
Panel Thickness: 0.8 - 1.6

LCBS-HT

Top Hole: Snap-lock: $\varnothing 4 \pm 0.08$
Panel Thickness: 1.57

Type 10

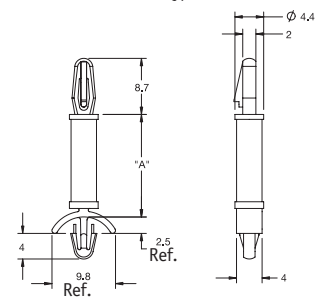


Bottom Hole: Snap-lock: 4.75 ± 0.08
Panel Thickness: 0.79 - 1.98

LCBSM

Top Hole: Snap-lock: 3.18 ± 0.05
Panel Thickness: 1.57

Type 11



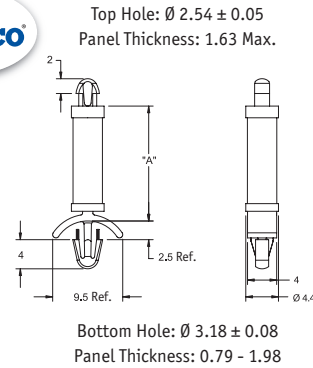
Bottom Hole: Snap-lock: 3.18 ± 0.05
Panel Thickness: 0.79 - 1.98

LCBS-6 (Type 6)		LCBS-7 (Type 7)		LCBS-8 (Type 8)		LCBS-9 (Type 9)		LCBS-HT (Type 10)	LCBSM (Type 11)	"A" Standoff Height	Std Pack Qty
Natural UL94 V2 Nylon 6/6, RMS-01	Natural UL94 V0 Nylon 6/6, RMS-19	Natural UL94 V2 Nylon 6/6, RMS-01	Natural UL94 V0 Nylon 6/6, RMS-19	Natural UL94 V2 Nylon 6/6, RMS-01	Natural UL94 V0 Nylon 6/6, RMS-19	Natural UL94 V2 Nylon 6/6, RMS-01	Natural UL94 V0 Nylon 6/6, RMS-19	Black UL94 V0 PEI, RMS-162	Natural UL94 V2 Nylon 6/6, RMS-01		
-	-	-	-	-	-	-	-	-	LCBSM-2-01	3.2	1000
LCBS-6-3-01	LCBS-6-3-19	LCBS-7-3-01	LCBS-7-3-19	LCBS-8-3-01	LCBS-8-3-19	LCBS-9-3-01	LCBS-9-3-19	LCBS-3-HT	LCBSM-3-01	4.8	1000
LCBS-6-4-01	LCBS-6-4-19	LCBS-7-4-01	LCBS-7-4-19	LCBS-8-4-01	LCBS-8-4-19	LCBS-9-4-01	LCBS-9-4-19	LCBS-4-HT	LCBSM-4-01	6.4	1000
LCBS-6-5-01	LCBS-6-5-19	LCBS-7-5-01	LCBS-7-5-19	LCBS-8-5-01	LCBS-8-5-19	LCBS-9-5-01	LCBS-9-5-19	LCBS-5-HT	LCBSM-5-01	7.9	1000
LCBS-6-6-01	LCBS-6-6-19	LCBS-7-6-01	LCBS-7-6-19	LCBS-8-6-01	LCBS-8-6-19	LCBS-9-6-01	LCBS-9-6-19	LCBS-6-HT	LCBSM-6-01	9.5	1000
LCBS-6-7-01	LCBS-6-7-19	LCBS-7-7-01	LCBS-7-7-19	LCBS-8-7-01	LCBS-8-7-19	LCBS-9-7-01	LCBS-9-7-19	LCBS-7-HT	LCBSM-7-01	11.1	1000
LCBS-6-8-01	LCBS-6-8-19	LCBS-7-8-01	LCBS-7-8-19	LCBS-8-8-01	LCBS-8-8-19	LCBS-9-8-01	LCBS-9-8-19	LCBS-8-HT	LCBSM-8-01	12.7	1000
-	-	-	-	-	-	-	-	-	LCBSM-9-01	14.3	1000
LCBS-6-10-01	LCBS-6-10-19	LCBS-7-10-01	LCBS-7-10-19	LCBS-8-10-01	LCBS-8-10-19	LCBS-9-10-01	LCBS-9-10-19	LCBS-10-HT	LCBSM-10-01	15.9	1000
LCBS-6-12-01	LCBS-6-12-19	LCBS-7-12-01	LCBS-7-12-19	LCBS-8-12-01	LCBS-8-12-19	LCBS-9-12-01	LCBS-9-12-19	LCBS-12-HT	-	19.1	1000
LCBS-6-14-01	LCBS-6-14-19	LCBS-7-14-01	LCBS-7-14-19	LCBS-8-14-01	LCBS-8-14-19	LCBS-9-14-01	LCBS-9-14-19	LCBS-14-HT	-	22.2	1000
LCBS-6-16-01	LCBS-6-16-19	LCBS-7-16-01	LCBS-7-16-19	LCBS-8-16-01	LCBS-8-16-19	LCBS-9-16-01	LCBS-9-16-19	LCBS-16-HT	-	25.4	1000
LCBS-6-18-01	LCBS-6-18-19	LCBS-7-18-01	LCBS-7-18-19	LCBS-8-18-01	LCBS-8-18-19	LCBS-9-18-01	LCBS-9-18-19	LCBS-18-HT	-	28.6	1000
LCBS-6-20-01	LCBS-6-20-19	LCBS-7-20-01	LCBS-7-20-19	LCBS-8-20-01	LCBS-8-20-19	LCBS-9-20-01	LCBS-9-20-19	LCBS-20-HT	-	31.7	1000
LCBS-6-22-01	LCBS-6-22-19	LCBS-7-22-01	LCBS-7-22-19	LCBS-8-22-01	LCBS-8-22-19	LCBS-9-22-01	LCBS-9-22-19	LCBS-22-HT	-	34.9	1000

Dual Locking Circuit Board Support

DLCBSAT

Part Number		"A" Standoff Height	Std Pack Qty
Natural, UL94 V-2 Nylon 6/6, RMS-01	Natural, UL94 V-0 Nylon 6/6, RMS-19		
DLCBSAT-2-01	DLCBSAT-2-19	3.2	1000
DLCBSAT-3-01	DLCBSAT-3-19	4.8	1000
DLCBSAT-4-01	DLCBSAT-4-19	6.4	1000
DLCBSAT-5-01	DLCBSAT-5-19	7.9	1000
DLCBSAT-6-01	DLCBSAT-6-19	9.5	1000
DLCBSAT-7-01	DLCBSAT-7-19	11.1	1000
DLCBSAT-8-01	DLCBSAT-8-19	12.7	1000
DLCBSAT-9-01	DLCBSAT-9-19	14.3	1000
DLCBSAT-10-01	DLCBSAT-10-19	15.9	1000



Snap Rivet Locking Circuit Board Support

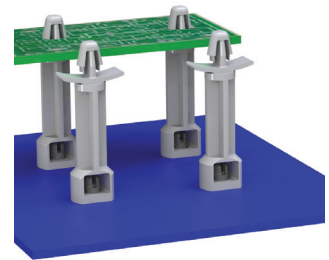
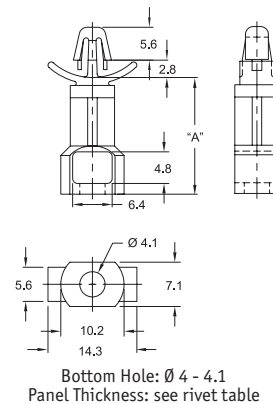
SRLAHS

Natural

Rivets		For Panel Thickness
Use Rivet Number		
SR-4050		0.7-1.6
SR-4060		1.5-2.7
SR-4070		2.7-3.7
SR-4080		3.7-4.7
SR-4090		4.7-5.7
SR-4100		5.7-6.7
SR-4120		7.2-8.7



Top Hole: Snap-lock: $\varnothing 4.75 \pm 0.08$
Panel Thickness: 0.79- 1.98



Snap Rivet Locking Circuit Board Support

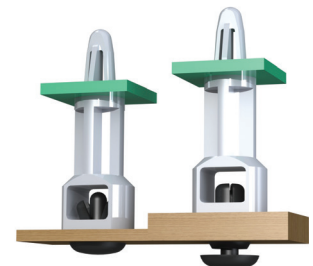
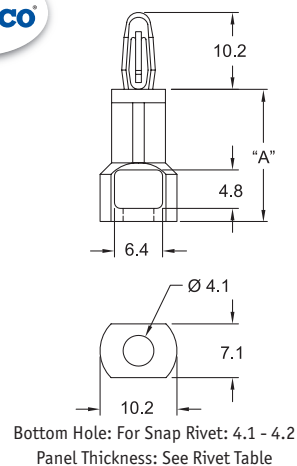
SRLCBS

Natural Nylon 6/6, RMS-01

Part Number	"A" Standoff Height	Std Pack Qty
SRLCBS-6-01	9.5	1000
SRLCBS-7-01	11.1	1000
SRLCBS-8-01	12.7	1000
SRLCBS-10-01	15.9	1000
SRLCBS-12-01	19.1	1000
SRLCBS-14-01	22.2	1000
SRLCBS-16-01	25.4	1000



Top Hole: Snap-lock: 4 ± 0.08
Panel Thickness: 1.57



DUAL LOCKING SPACERS

Circuit Board Support on Adhesive Base

CBSB/CBSBT/LCBSB/LCBSBM

Natural Nylon 6/6 RMS-01

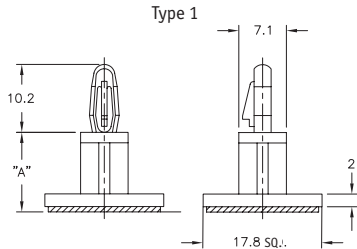
- Adhesive Backing: RMS-24, double sided adhesive tape with release tab



Part Number				"A" Standoff Height	Std Pack Qty
LCBSB (Type 1)	CBSB (Type 2)	LCBSBM (Type 3)	CBSBT (Type 4)		
LCBSB-3-01A2-RT	CBSB-3-01A2-RT	LCBSBM-3-01A2	CBSBT-3-01A2-RT	4.8	1000
LCBSB-4-01A2-RT	CBSB-4-01A2-RT	LCBSBM-4-01A2	CBSBT-4-01A2-RT	6.4	1000
-	-	LCBSBM-5-01A2	CBSBT-5-01A2-RT	7.9	1000
LCBSB-6-01A2-RT	CBSB-6-01A2-RT	LCBSBM-6-01A2	CBSBT-6-01A2-RT	9.5	1000
-	-	LCBSBM-7-01A2	CBSBT-7-01A2-RT	11.1	1000
LCBSB-8-01A2-RT	CBSB-8-01A2-RT	LCBSBM-8-01A2	CBSBT-8-01A2-RT	12.7	1000
LCBSB-9-01A2-RT	CBSB-9-01A2-RT	LCBSBM-9-01A2	CBSBT-9-01A2-RT	14.3	1000
LCBSB-10-01A2	CBSB-10-01A2-RT	LCBSBM-10-01A2	CBSBT-10-01A2	15.9	1000
LCBSB-12-01A2	CBSB-12-01A2-RT	-	-	19.1	1000
LCBSB-14-01A2	CBSB-14-01A2-RT	-	-	22.2	1000
LCBSB-16-01A2	CBSB-16-01A2-RT	-	-	25.4	1000
LCBSB-18-01A2	CBSB-18-01A2-RT	-	-	28.6	1000

LCBSB

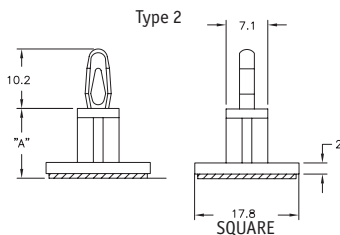
Top Hole: Snap-lock: 4 ± 0.08
Panel Thickness: 1.57



LCBSB (Type 1)	"A" Standoff Height	Std Pack Qty
LCBSB-6M-01A2	6	1000
LCBSB-8M-01A2	8	1000
LCBSB-10M-01A2	10	1000
LCBSB-12M-01A2	12	1000
LCBSB-14M-01A2	14	1000
LCBSB-16M-01A2	16	1000

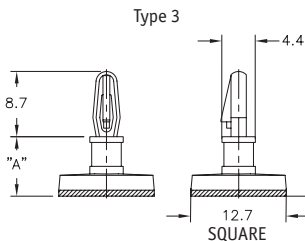
CBSB

Top Hole: Snap-fit: 4 ± 0.08
Panel Thickness: 1.57



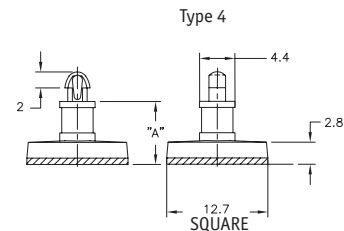
LCBSBM

Top Hole: Snap-lock: 3.18 ± 0.05
Panel Thickness: 1.57



CBSBT

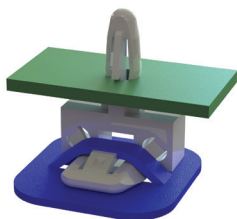
Top Hole: Snap-lock: 2.54 ± 0.05
Panel Thickness: 1.63 Max.



Side Mount Circuit Board Support

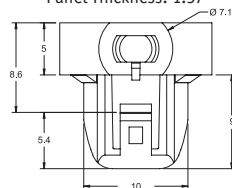
SMLCBS

Natural UL94 V-2 Nylon 6/6, RMS-01

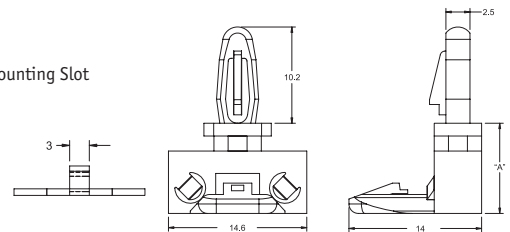
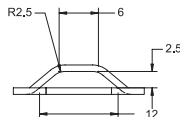


Part Number	"A" Standoff Height	Std Pack Qty
SMLCBS-5-01	7.9	1000
SMLCBS-6-01	9.5	1000
SMLCBS-7-01	11.1	1000
SMLCBS-8-01	12.7	1000

Top Hole: Snap-Lock $\varnothing 3.96 \pm 0.08$
Panel Thickness: 1.57

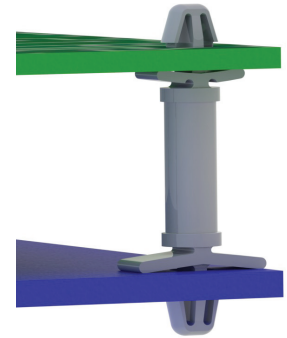


Recommended Mounting Slot



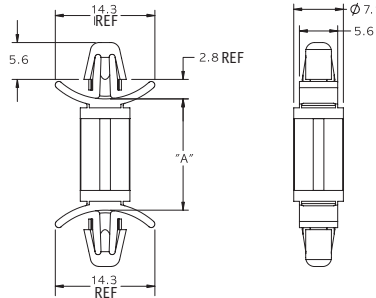
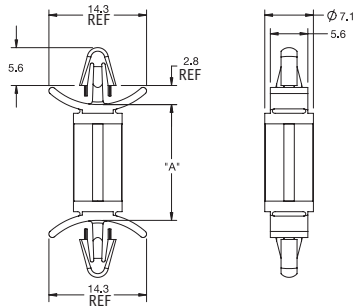
Dual Locking Circuit Board Support

DLCBS
Natural



DLCBS Type 1
Top Hole: Snap-lock: 4 ± 0.08
Panel Thickness: 0.79 - 1.98

DLCBS2 Type 2
Top Hole: Snap-lock: 4.75 ± 0.08
Panel Thickness: 0.79 - 1.98



Bottom Hole: Snap-lock: 4 ± 0.08
Panel Thickness: 0.79 - 1.98

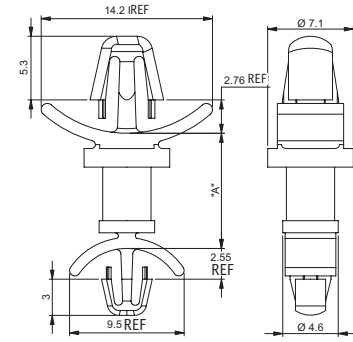
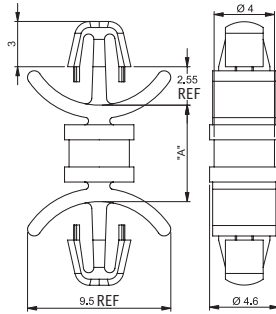
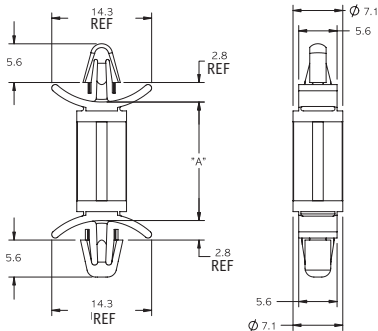
Bottom Hole: Snap-lock: 4.75 ± 0.08
Panel Thickness: 0.79 - 1.98

Can't find the size you are looking for? Contact us!

DLCBS3 Type 3
Top Hole: Snap-lock: 4 ± 0.08
Panel Thickness: 0.79 - 1.98

DLCBS5 Type 4
Top Hole: Snap-Lock $\emptyset 3.5 \pm 0.08$
Panel Thickness: 0.8-2

DLCBS6 Type 5
Top Hole: Snap-Lock $\emptyset 4.75 \pm 0.08$
Panel Thickness: 0.8-2



Bottom Hole: Snap-lock: 4.75 ± 0.08
Panel Thickness: 0.79 - 1.98

Bottom Hole: Snap-Lock $\emptyset 3.5 \pm 0.08$
Panel Thickness: 0.8-2

Bottom Hole: Snap-Lock $\emptyset 3.5 \pm 0.08$
Panel Thickness: 0.8-2

Part Number					"A" Standoff Height	Material	Std Pack Qty
DLCBS (Type 1)	DLCBS2 (Type 2)	DLCBS3 (Type 3)	DLCBS5 (Type 4)	DLCBS6 (Type 5)	4.8	UL94 V-2 Nylon 6/6, RMS-01	1000
DLCBS-3-01	DLCBS2-3-01	DLCBS3-3-01	DLCBS5-3-01	DLCBS6-3-01	6.4	UL94 V-2 Nylon 6/6, RMS-01	1000
DLCBS-4-01	DLCBS2-4-01	DLCBS3-4-01	DLCBS5-4-01	DLCBS6-4-01	7.9	UL94 V-2 Nylon 6/6, RMS-01	1000
DLCBS-5-01	DLCBS2-5-01	DLCBS3-5-01	DLCBS5-5-01	DLCBS6-5-01	9.5	UL94 V-2 Nylon 6/6, RMS-01	1000
DLCBS-6-01	DLCBS2-6-01	DLCBS3-6-01	DLCBS5-6-01	DLCBS6-6-01	11.1	UL94 V-2 Nylon 6/6, RMS-01	1000
DLCBS-7-01	DLCBS2-7-01	DLCBS3-7-01	DLCBS5-7-01	DLCBS6-7-01	12.7	UL94 V-2 Nylon 6/6, RMS-01	1000
DLCBS-8-01	DLCBS2-8-01	DLCBS3-8-01	DLCBS5-8-01	DLCBS6-8-01	14.3	UL94 V-2 Nylon 6/6, RMS-01	1000
DLCBS-9-01	DLCBS2-9-01	-	DLCBS5-9-01	DLCBS6-9-01	15.9	UL94 V-2 Nylon 6/6, RMS-01	1000
DLCBS-10-01	DLCBS2-10-01	DLCBS3-10-01	DLCBS5-10-01	DLCBS6-10-01	19.1	UL94 V-2 Nylon 6/6, RMS-01	1000
DLCBS-12-01	DLCBS2-12-01	DLCBS3-12-01	-	-	22.2	UL94 V-2 Nylon 6/6, RMS-01	1000
DLCBS-14-01	DLCBS2-14-01	DLCBS3-14-01	-	-	4.8	UL94 V-0 Nylon 6/6, RMS-19	1000
DLCBS-3-19	DLCBS2-3-19	DLCBS3-3-19	DLCBS5-3-19	DLCBS6-3-19	6.4	UL94 V-0 Nylon 6/6, RMS-19	1000
DLCBS-4-19	DLCBS2-4-19	DLCBS3-4-19	DLCBS5-4-19	DLCBS6-4-19	7.9	UL94 V-0 Nylon 6/6, RMS-19	1000
DLCBS-5-19	DLCBS2-5-19	-	DLCBS5-5-19	DLCBS6-5-19	9.5	UL94 V-0 Nylon 6/6, RMS-19	1000
DLCBS-6-19	DLCBS2-6-19	DLCBS3-6-19	DLCBS5-6-19	DLCBS6-6-19	11.1	UL94 V-0 Nylon 6/6, RMS-19	1000
DLCBS-7-19	DLCBS2-7-19	DLCBS3-7-19	DLCBS5-7-19	DLCBS6-7-19	12.7	UL94 V-0 Nylon 6/6, RMS-19	1000
DLCBS-8-19	DLCBS2-8-19	DLCBS3-8-19	DLCBS5-8-19	DLCBS6-8-19	14.3	UL94 V-0 Nylon 6/6, RMS-19	1000
DLCBS-9-19	DLCBS2-9-19	-	DLCBS5-9-19	DLCBS6-9-19	15.9	UL94 V-0 Nylon 6/6, RMS-19	1000
DLCBS-10-19	DLCBS2-10-19	DLCBS3-10-19	DLCBS5-10-19	DLCBS6-10-19	19.1	UL94 V-0 Nylon 6/6, RMS-19	1000
DLCBS-12-19	DLCBS2-12-19	DLCBS3-12-19	-	-	22.2	UL94 V-0 Nylon 6/6, RMS-19	1000
DLCBS-14-19	DLCBS2-14-19	DLCBS3-14-19	-	-			

DUAL LOCKING SPACERS

Dual Locking Circuit Board Support

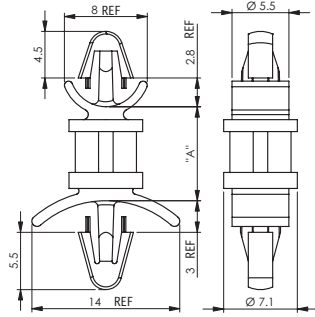


DLCBS

Natural

DLCBS7 Type 6

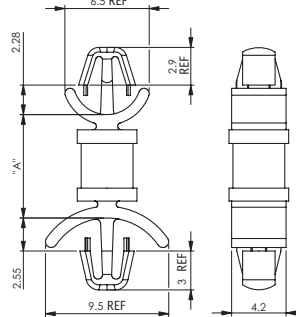
Top Hole: Snap-Lock $\varnothing 4 \pm 0.08$
Panel Thickness: 1.6



Bottom Hole: Snap-Lock $\varnothing 4 \pm 0.08$
Panel Thickness: 1.6

DLCBS8 Type 7

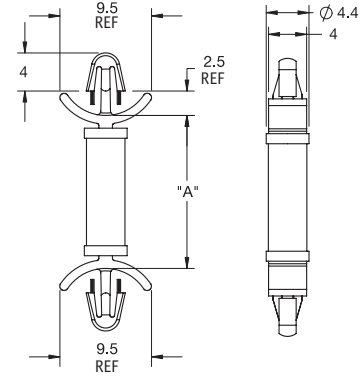
Top Hole: Snap-Lock $\varnothing 3.5 \pm 0.08$
Panel Thickness: 0.8-1.6



Bottom Hole: Snap-Lock $\varnothing 3.5 \pm 0.08$
Panel Thickness: 0.8-2

DLCBSM Type 8

Top Hole: Snap-lock: 3.18 ± 0.05
Panel Thickness: 0.79 - 1.98



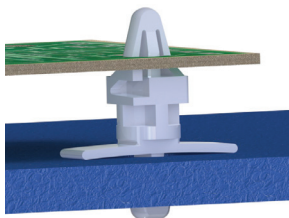
Bottom Hole: Snap-lock: 3.18 ± 0.05
Panel Thickness: 0.79 - 1.98

Part Number			"A" Standoff Height	Material	Std. Pack Qty
DLCBS7 (Type 6)	DLCBS8 (Type 7)	DLCBSM (Type 8)			
DLCBS7-3-01	DLCBS8-3-01	DLCBSM-3-01	4.8	UL94 V-2 Nylon 6/6, RMS-01	1000
DLCBS7-4-01	DLCBS8-4-01	DLCBSM-4-01	6.4	UL94 V-2 Nylon 6/6, RMS-01	1000
DLCBS7-5-01	DLCBS8-5-01	DLCBSM-5-01	7.9	UL94 V-2 Nylon 6/6, RMS-01	1000
DLCBS7-6-01	DLCBS8-6-01	DLCBSM-6-01	9.5	UL94 V-2 Nylon 6/6, RMS-01	1000
DLCBS7-7-01	DLCBS8-7-01	DLCBSM-7-01	11.1	UL94 V-2 Nylon 6/6, RMS-01	1000
DLCBS7-8-01	DLCBS8-8-01	DLCBSM-8-01	12.7	UL94 V-2 Nylon 6/6, RMS-01	1000
DLCBS7-9-01	DLCBS8-9-01	DLCBSM-9-01	14.3	UL94 V-2 Nylon 6/6, RMS-01	1000
DLCBS7-10-01	DLCBS8-10-01	DLCBSM-10-01	15.9	UL94 V-2 Nylon 6/6, RMS-01	1000
DLCBS7-12-01	-	-	19.1	UL94 V-2 Nylon 6/6, RMS-01	1000
DLCBS7-3-19	DLCBS8-3-19	DLCBSM-3-19	4.8	UL94 V-0 Nylon 6/6, RMS-19	1000
DLCBS7-4-19	DLCBS8-4-19	DLCBSM-4-19	6.4	UL94 V-0 Nylon 6/6, RMS-19	1000
DLCBS7-5-19	DLCBS8-5-19	DLCBSM-5-19	7.9	UL94 V-0 Nylon 6/6, RMS-19	1000
DLCBS7-6-19	DLCBS8-6-19	DLCBSM-6-19	9.5	UL94 V-0 Nylon 6/6, RMS-19	1000
DLCBS7-7-19	DLCBS8-7-19	DLCBSM-7-19	11.1	UL94 V-0 Nylon 6/6, RMS-19	1000
DLCBS7-8-19	DLCBS8-8-19	DLCBSM-8-19	12.7	UL94 V-0 Nylon 6/6, RMS-19	1000
DLCBS7-9-19	DLCBS8-9-19	DLCBSM-9-19	14.3	UL94 V-0 Nylon 6/6, RMS-19	1000
DLCBS7-10-19	DLCBS8-10-19	DLCBSM-10-19	15.9	UL94 V-0 Nylon 6/6, RMS-19	1000
DLCBS7-12-19	-	-	19.1	UL94 V-0 Nylon 6/6, RMS-19	1000

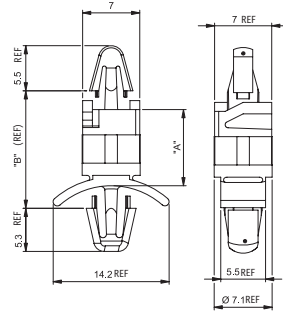
Dual Locking Circuit Board Support

DLCBS4

Natural



Top Hole: Snap-Lock $\varnothing 4.0 \pm 0.08$
Panel Thickness: 1.3-2



Bottom Hole: Snap-Lock $\varnothing 4.75 \pm 0.08$
Panel Thickness: 0.8-2



Part Number		"A" Standoff Height	"B"	Std Pack Qty
UL94 V-2 Nylon 6/6, RMS-01	UL94 V-0 Nylon 6/6, RMS-19			
DLCBS4-3.5-01	DLCBS4-3.5-19	5.5	10.8	1000
DLCBS4-4-01	DLCBS4-4-19	6.1	11.4	1000
DLCBS4-5-01	DLCBS4-5-19	9.1	14.4	1000
DLCBS4-6-01	DLCBS4-6-19	12.4	17.7	1000
DLCBS4-8-01	DLCBS4-8-19	18.8	24.1	1000
DLCBS4-10-01	DLCBS4-10-19	21.9	27.2	1000

Flexible Locking Circuit Board Support

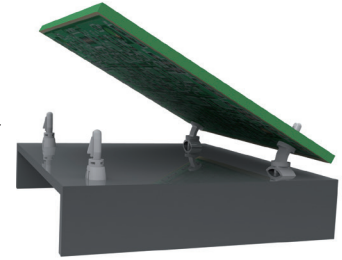
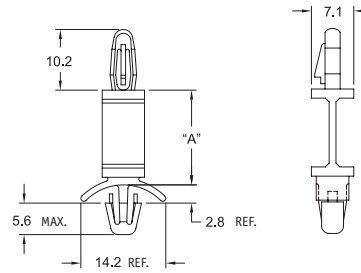
FLCBS

UL94 V2 Nylon 6/6, RMS-01 Natural

Part Number	"A" (mm)	Std Pack Qty
FLCBS-6-01	9.5	1000
FLCBS-7-01	11.1	1000
FLCBS-8-01	12.7	1000
FLCBS-10-01	15.9	1000
FLCBS-12-01	19.1	1000
FLCBS-14-01	22.2	1000
FLCBS-16-01	25.4	1000
FLCBS-18-01	28.6	1000
FLCBS-20-01	31.8	1000
FLCBS-22-01	34.9	1000



Top Hole: $\varnothing 4$
Panel Thickness: 1.57



Bottom Hole: $\varnothing 4.75$
Panel Thickness: 1.6

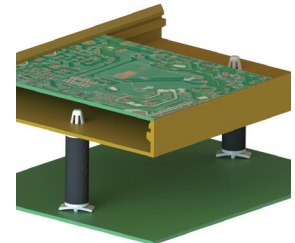
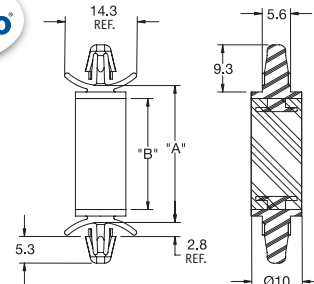
Shock Dampening Spacers

HSCBS

Fix Material: Natural UL94 V0 Nylon 6/6, RMS-169

Spacer Material: Black UL94 HB TPE 45 Shore A RMS-168

Part Number	"A" Uncompressed	"B" Ref.	Hole \varnothing	Panel Thickness	Target Load	Std Pack Qty
HSCBS-1	14.9	9.7	4.75	0.79 - 1.98	9.8N	1000
HSCBS-2	21	16.3	4.75	0.79 - 1.98	9.8N	1000
HSCBS-3	27.1	22	4.75	0.79 - 1.98	9.8N	1000
HSCBS-4	33.2	28	4.75	0.79 - 1.98	9.8N	1000



Patented

Dual Locking Circuit Board Support

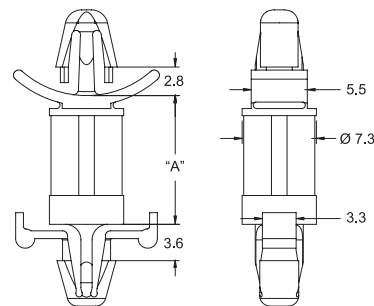
DLCBSRA

Natural UL94 V-2 Nylon 6/6, RMS-01

Part Number	"A" Standoff Height	Std Pack Qty
DLCBSRA3-6-01	4.8	1000
DLCBSRA3-8-01	12.7	1000
DLCBSRA3-10-01	15.9	1000
DLCBSRA3-12-01	19.1	1000
DLCBSRA3-14-01	22.2	1000



Top Hole: Snap-lock: 4.75 ± 0.08
Panel Thickness: 0.79 - 1.98



Bottom Hole: Snap-lock: 4.75 ± 0.08
Panel Thickness: 0.79 - 1.98

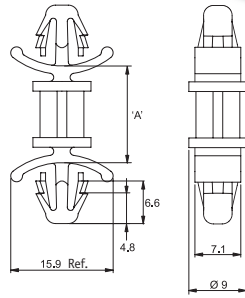


DUAL LOCKING SPACERS

Heavy Duty Circuit Board Support

DLCBSHD

Natural



Part Number		"A"	Ø Hole	Panel Thickness	Std Pack Qty
UL94 V-2 Nylon 6/6, RMS-01	UL94 V-0 Nylon 6/6, RMS-19				
DLCBSHD-10M-01	DLCBSHD-10M-19	10	6.3	0.8 - 2.2	1000
DLCBSHD-20M-01	DLCBSHD-20M-19	20	6.3	0.8 - 2.2	1000
DLCBSHD-25M-01	DLCBSHD-25M-19	25	6.3	0.8 - 2.2	1000
DLCBSHD-30M-01	DLCBSHD-30M-19	30	6.3	0.8 - 2.2	1000
DLCBSHD-35M-01	DLCBSHD-35M-19	35	6.3	0.8 - 2.2	1000

Dual Locking Support Post

DLSP

Natural



Part Number				"A" Standoff Height	Std Pack Qty
DLSP-1	DLSP-2	DLSP-3			
Nylon 6/6, RMS-01	UL94 V0 Nylon 6/6, RMS-19	Nylon 6/6, RMS-01	Nylon 6/6, RMS-01		
DLSP-1-3M-01	DLSP-1-3M-19	DLSP-2-3M-01	DLSP-3-3M-01	3	1000
DLSP-1-4M-01	DLSP-1-4M-19	DLSP-2-4M-01	DLSP-3-4M-01	4	1000
DLSP-1-6M-01	DLSP-1-6M-19	DLSP-2-6M-01	DLSP-3-6M-01	6	1000
DLSP-1-8M-01	DLSP-1-8M-19	DLSP-2-8M-01	DLSP-3-8M-01	8	1000
DLSP-1-10M-01	DLSP-1-10M-19	DLSP-2-10M-01	DLSP-3-10M-01	10	1000
DLSP-1-12M-01	DLSP-1-12M-19	DLSP-2-12M-01	DLSP-3-12M-01	12	1000
DLSP-1-14M-01	DLSP-1-14M-19	DLSP-2-14M-01	DLSP-3-14M-01	14	1000
DLSP-1-16M-01	DLSP-1-16M-19	DLSP-2-16M-01	DLSP-3-16M-01	16	1000
DLSP-1-18M-01	DLSP-1-18M-19	DLSP-2-18M-01	DLSP-3-18M-01	18	1000
DLSP-1-25M-01	DLSP-1-25M-19	DLSP-2-25M-01	DLSP-3-25M-01	25	1000
DLSP-1-30M-01	DLSP-1-30M-19	DLSP-2-30M-01	DLSP-3-30M-01	30	1000

DLSP-1

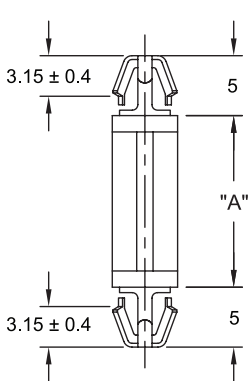
DLSP-2

DLSP-3

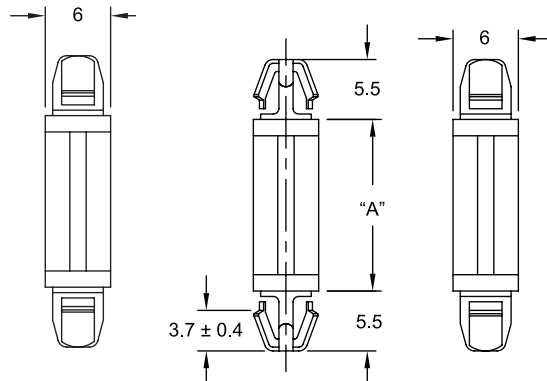
Top Hole: Snap-lock: 4 ± 0.08
Panel Thickness: 1.6

Top Hole: Snap-lock: 4.8 ± 0.08
Panel Thickness: 1.6

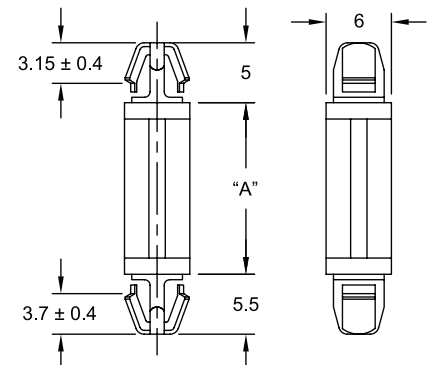
Top Hole: Snap-lock: $\emptyset 4 \pm 0.08$
Panel Thickness: 1.6



Bottom Hole: Snap-lock: 4 ± 0.08
Panel Thickness: 1.6



Bottom Hole: Snap-lock: 4.8 ± 0.08
Panel Thickness: 1.6



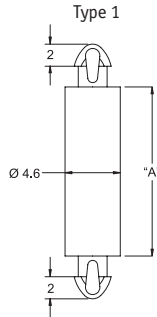
Bottom Hole: Snap-lock: $\emptyset 4.8 \pm 0.08$
Panel Thickness: 1.6

Metric Mini Dual Locking Support Post

MDLSP1/MDLSP2

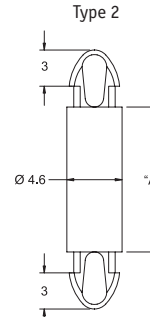


Top Hole: Snap-lock: 2.5 ± 0.05
Panel Thickness: 1.65 Max.



Bottom Hole: Snap-lock: 2.5 ± 0.05
Panel Thickness: 1.65 Max.

Top Hole: Snap-lock: 3.5 ± 0.05
Panel Thickness: 1.65 Max.



Bottom Hole: Snap-lock: 3.5 ± 0.05
Panel Thickness: 1.65 Max.



Part Number					"A" Standoff Height	Std Pack Qty
MDLSP1 (Type 1)		MDLSP2 (Type 2)				
Natural Nylon 6/6, RMS-01	Natural UL94 V0 Nylon 6/6, RMS-19	Natural Nylon 6/6, RMS-01	Black Nylon 6/6, RMS-01	Natural UL94 V0 Nylon 6/6, RMS-19		
MDLSP1-02M-01	MDLSP1-02M-19	MDLSP2-02M-01	MDLSP2-02M-01BK	MDLSP2-02M-19	2	1000
MDLSP1-03M-01	MDLSP1-03M-19	MDLSP2-03M-01	MDLSP2-03M-01BK	MDLSP2-03M-19	3	1000
MDLSP1-04M-01	MDLSP1-04M-19	MDLSP2-04M-01	MDLSP2-04M-01BK	MDLSP2-04M-19	4	1000
MDLSP1-05M-01	MDLSP1-05M-19	MDLSP2-05M-01	MDLSP2-05M-01BK	MDLSP2-05M-19	5	1000
MDLSP1-06M-01	MDLSP1-06M-19	MDLSP2-06M-01	MDLSP2-06M-01BK	MDLSP2-06M-19	6	1000
MDLSP1-07M-01	MDLSP1-07M-19	MDLSP2-07M-01	MDLSP2-07M-01BK	MDLSP2-07M-19	7	1000
MDLSP1-08M-01	MDLSP1-08M-19	MDLSP2-08M-01	MDLSP2-08M-01BK	MDLSP2-08M-19	8	1000
MDLSP1-09M-01	MDLSP1-09M-19	MDLSP2-09M-01	MDLSP2-09M-01BK	MDLSP2-09M-19	9	1000
MDLSP1-10M-01	MDLSP1-10M-19	MDLSP2-10M-01	MDLSP2-10M-01BK	MDLSP2-10M-19	10	1000
MDLSP1-12M-01	MDLSP1-12M-19	MDLSP2-12M-01	MDLSP2-12M-01BK	MDLSP2-12M-19	12	1000
MDLSP1-14M-01	MDLSP1-14M-19	MDLSP2-14M-01	MDLSP2-14M-01BK	MDLSP2-14M-19	14	1000
MDLSP1-16M-01	MDLSP1-16M-19	MDLSP2-16M-01	MDLSP2-16M-01BK	MDLSP2-16M-19	16	1000
MDLSP1-18M-01	MDLSP1-18M-19	MDLSP2-18M-01	MDLSP2-18M-01BK	MDLSP2-18M-19	18	1000
MDLSP1-20M-01	MDLSP1-20M-19	MDLSP2-20M-01	MDLSP2-20M-01BK	MDLSP2-20M-19	20	1000
MDLSP1-22M-01	MDLSP1-22M-19	MDLSP2-22M-01	MDLSP2-22M-01BK	MDLSP2-22M-19	22	1000

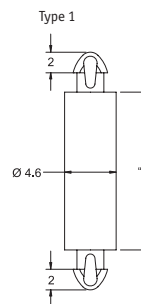
Metric Mini Dual Locking Support Post

MDLSPK

Natural

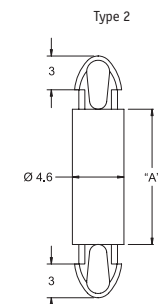


Top Hole: Snap-lock: 2.5 ± 0.05
Panel Thickness: 3.6 Max.



Bottom Hole: Snap-lock: 2.5 ± 0.05
Panel Thickness: 1.6 Max.

Top Hole: Snap-lock: 3.5 ± 0.05
Panel Thickness: 3.6 Max.



Bottom Hole: Snap-lock: 3.5 ± 0.05
Panel Thickness: 1.6 Max.



Part Number				"A" Standoff Height	Std Pack Qty
MDLSPK1 (Type 1)		MDLSPK2 (Type 2)			
Nylon 6/6, RMS-01	UL94 V0 Nylon 6/6, RMS-19	Nylon 6/6, RMS-01	UL94 V0 Nylon 6/6, RMS-19		
MDLSPK1-02M-01	MDLSPK1-02M-19	MDLSPK2-02M-01	MDLSPK2-02M-19	2	1000
MDLSPK1-03M-01	MDLSPK1-03M-19	MDLSPK2-03M-01	MDLSPK2-03M-19	3	1000
MDLSPK1-04M-01	MDLSPK1-04M-19	MDLSPK2-04M-01	MDLSPK2-04M-19	4	1000
MDLSPK1-06M-01	MDLSPK1-06M-19	MDLSPK2-06M-01	MDLSPK2-06M-19	6	1000
MDLSPK1-08M-01	MDLSPK1-08M-19	MDLSPK2-08M-01	MDLSPK2-08M-19	8	1000
MDLSPK1-10M-01	MDLSPK1-10M-19	MDLSPK2-10M-01	MDLSPK2-10M-19	10	1000
MDLSPK1-12M-01	MDLSPK1-12M-19	MDLSPK2-12M-01	MDLSPK2-12M-19	12	1000
MDLSPK1-14M-01	MDLSPK1-14M-19	MDLSPK2-14M-01	MDLSPK2-14M-19	14	1000
MDLSPK1-16M-01	MDLSPK1-16M-19	MDLSPK2-16M-01	MDLSPK2-16M-19	16	1000
MDLSPK1-18M-01	MDLSPK1-18M-19	MDLSPK2-18M-01	MDLSPK2-18M-19	18	1000
MDLSPK1-20M-01	MDLSPK1-20M-19	MDLSPK2-20M-01	MDLSPK2-20M-19	20	1000
MDLSPK1-22M-01	MDLSPK1-22M-19	MDLSPK2-22M-01	MDLSPK2-22M-19	22	1000

DUAL LOCKING SPACERS

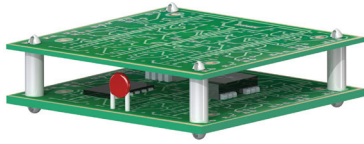
Mini Dual Locking Support Post

MDLSP3

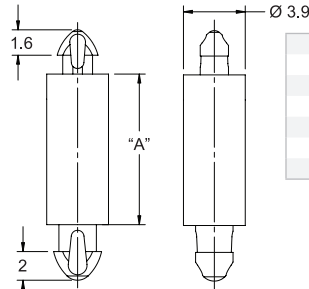
Natural Nylon 6/6, RMS-01



Can't find the size you are looking for? Contact us!



Top Hole: Snap-lock: 2 ± 0.05
Panel Thickness: 1.07 Max.



Bottom Hole: Snap-lock: 2.5 ± 0.05
Panel Thickness: 1.65 Max.

Part Number	"A" Standoff Height	Std Pack Qty
MDLSP3-1-01	1.6	1000
MDLSP3-2-01	3.2	1000
MDLSP3-3-01	4.8	1000
MDLSP3-4-01	6.4	1000
MDLSP3-5-01	7.9	1000
MDLSP3-6-01	9.5	1000

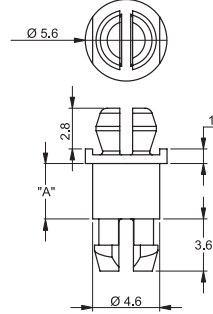
Miniature Support Post

MSPT

Natural



Top Hole: Snap-fit: $\varnothing 3.9 \pm 0.05$
Panel Thickness: 1.2



Bottom Hole: Snap-lock: $\varnothing 3.9 \pm 0.05$
Panel Thickness: 1.62

Part Number		"A" (mm)	Std Pack Qty
UL94 V-2 Nylon 6/6, RMS-01	UL94 V-0 Nylon 6/6, RMS-19		
MSPT-3-01	MSPT-3-19	4.8	1000
MSPT-4-01	MSPT-4-19	6.4	1000
MSPT-5-01	MSPT-5-19	7.9	1000
MSPT-6-01	MSPT-6-19	9.5	1000
MSPT-7-01	MSPT-7-19	11.1	1000
MSPT-8-01	MSPT-8-19	12.7	1000
MSPT-10-01	MSPT-10-19	15.9	1000
MSPT-11-01	MSPT-11-19	17.5	1000
MSPT-12-01	MSPT-12-19	19.1	1000
MSPT-14-01	MSPT-14-19	22.2	1000

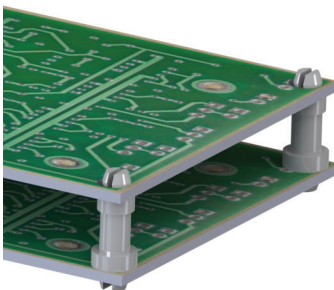
Miniature Support Post

MSPS

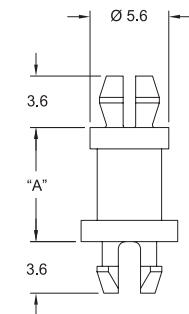
Natural



Bottom Hole Snap-Lock: $\varnothing 4 \pm 0.05$
Panel Thickness: 1.57



Top Hole: Snap-fit: $\varnothing 4 \pm 0.05$
Panel Thickness: 1.57

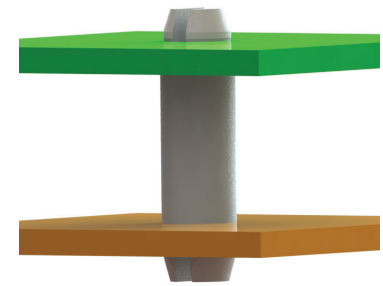


Part Number		"A" (mm)	Std Pack Qty
UL94 V-2 Nylon 6/6, RMS-01	UL94 V-0 Nylon 6/6, RMS-19		
MSPS-3-01	MSPS-3-19	4.8	1000
MSPS-4-01	MSPS-4-19	6.4	1000
MSPS-5-01	MSPS-5-19	7.9	1000
MSPS-6-01	MSPS-6-19	9.5	1000
MSPS-7-01	MSPS-7-19	11.1	1000
MSPS-8-01	MSPS-8-19	12.7	1000
MSPS-10-01	MSPS-10-19	15.9	1000
MSPS-11-01	MSPS-11-19	17.5	1000
MSPS-12-01	MSPS-12-19	19.1	1000
MSPS-14-01	MSPS-14-19	22.2	1000

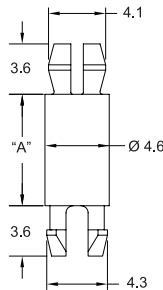
Mini Support Post

MSP/MSPM/DLMSP/DLMSPM/DLCBST

Natural

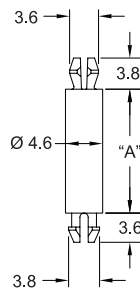


MSP
 Top Hole: Snap-fit: 3.9 ± 0.05
 Panel Thickness: 1.57
 Type 1



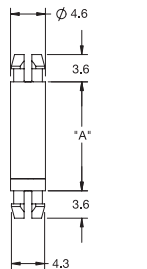
Bottom Hole: Snap-lock: 3.9 ± 0.05
 Panel Thickness: 1.57

MSPM
 Top Hole: Snap-fit: 3.18 ± 0.05
 Panel Thickness: 1.57
 Type 2



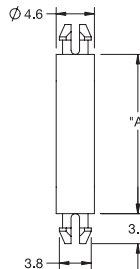
Bottom Hole: Snap-lock: 3.18 ± 0.05
 Panel Thickness: 1.57

DLMSP
 Top Hole: Snap-lock: 3.86 ± 0.05
 Panel Thickness: 1.57
 Type 3



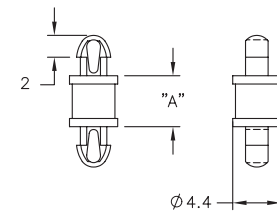
Bottom Hole: Snap-lock: 3.86 ± 0.05
 Panel Thickness: 1.57

DLMSPM
 Top Hole: Snap-lock: 3.18 ± 0.05
 Panel Thickness: 1.57
 Type 4



Bottom Hole: Snap-lock: 3.18 ± 0.05
 Panel Thickness: 1.57

DLCBST
 Top Hole: Snap-fit: 2.54 ± 0.05
 Panel Thickness: 1.63 Max.
 Type 5



Bottom Hole: Snap-lock: 2.54 ± 0.05
 Panel Thickness: 1.63 Max.

Part Number										"A" Standoff Height	Std Pack Qty
MSP (Type 1)		MSPM (Type 2)		DLMSP (Type 3)		DLMSPM (Type 4)		DLCBST (Type 5)			
Nylon 6/6, RMS-01	UL94 V0 Nylon 6/6, RMS-19	Nylon 6/6, RMS-01	UL94 V0 Nylon 6/6, RMS-19	Nylon 6/6, RMS-01	UL94 V0 Nylon 6/6, RMS-19	Nylon 6/6, RMS-01	UL94 V0 Nylon 6/6, RMS-19	Nylon 6/6, RMS-01	UL94 V0 Nylon 6/6, RMS-19		
-	-	-	-	-	-	-	-	-	-	1.6	1000
MSP-2-01	MSP-2-19	MSPM-2-01	MSPM-2-19	DLMSP-2-01	DLMSP-2-19	DLMSPM-2-01	DLMSPM-2-19	DLCBST-1-01	DLCBST-1-19	3.2	1000
MSP-3-01	MSP-3-19	MSPM-3-01	MSPM-3-19	DLMSP-3-01	DLMSP-3-19	DLMSPM-3-01	DLMSPM-3-19	DLCBST-2-01	DLCBST-2-19	4.8	1000
MSP-4-01	MSP-4-19	MSPM-4-01	MSPM-4-19	DLMSP-4-01	DLMSP-4-19	DLMSPM-4-01	DLMSPM-4-19	DLCBST-3-01	DLCBST-3-19	6.4	1000
MSP-5-01	MSP-5-19	MSPM-5-01	MSPM-5-19	DLMSP-5-01	DLMSP-5-19	DLMSPM-5-01	DLMSPM-5-19	DLCBST-4-01	DLCBST-4-19	7.9	1000
MSP-6-01	MSP-6-19	MSPM-6-01	MSPM-6-19	DLMSP-6-01	DLMSP-6-19	DLMSPM-6-01	DLMSPM-6-19	DLCBST-5-01	DLCBST-5-19	9.5	1000
MSP-7-01	MSP-7-19	MSPM-7-01	MSPM-7-19	DLMSP-7-01	DLMSP-7-19	DLMSPM-7-01	DLMSPM-7-19	DLCBST-6-01	DLCBST-6-19	11.1	1000
MSP-8-01	MSP-8-19	MSPM-8-01	MSPM-8-19	DLMSP-8-01	DLMSP-8-19	DLMSPM-8-01	DLMSPM-8-19	DLCBST-7-01	DLCBST-7-19	12.7	1000
MSP-9-01	MSP-9-19	MSPM-9-01	MSPM-9-19	DLMSP-9-01	DLMSP-9-19	DLMSPM-9-01	DLMSPM-9-19	DLCBST-8-01	DLCBST-8-19	14.3	1000
MSP-10-01	MSP-10-19	MSPM-10-01	MSPM-10-19	DLMSP-10-01	DLMSP-10-19	DLMSPM-10-01	DLMSPM-10-19	DLCBST-9-01	DLCBST-9-19	15.9	1000
MSP-11-01	MSP-11-19	-	-	-	-	-	-	DLCBST-10-01	DLCBST-10-19	17.5	1000
MSP-12-01	MSP-12-19	MSPM-12-01	MSPM-12-19	DLMSP-12-01	DLMSP-12-19	DLMSPM-12-01	DLMSPM-12-19	-	-	19.1	1000
MSP-13-01	MSP-13-19	MSPM-13-01	MSPM-13-19	-	-	DLMSPM-13-01	DLMSPM-13-19	-	-	20.6	1000
MSP-14-01	MSP-14-19	MSPM-14-01	MSPM-14-19	DLMSP-14-01	DLMSP-14-19	DLMSPM-14-01	DLMSPM-14-19	-	-	22.2	1000
MSP-16-01	MSP-16-19	MSPM-16-01	MSPM-16-19	DLMSP-16-01	DLMSP-16-19	DLMSPM-16-01	DLMSPM-16-19	-	-	25.4	1000
MSP-18-01	MSP-18-19	MSPM-18-01	MSPM-18-19	DLMSP-18-01	DLMSP-18-19	DLMSPM-18-01	DLMSPM-18-19	-	-	28.6	1000
MSP-20-01	MSP-20-19	MSPM-20-01	MSPM-20-19	DLMSP-20-01	DLMSP-20-19	DLMSPM-20-01	DLMSPM-20-19	-	-	31.8	1000
MSP-22-01	MSP-22-19	MSPM-22-01	MSPM-22-19	DLMSP-22-01	DLMSP-22-19	DLMSPM-22-01	DLMSPM-22-19	-	-	34.9	1000
MSP-24-01	MSP-24-19	MSPM-24-01	MSPM-24-19	DLMSP-24-01	DLMSP-24-19	DLMSPM-24-01	DLMSPM-24-19	-	-	38.1	1000

SPLIT PACKS AVAILABLE

email | sales@mossexpress.co.uk

web | www.mossexpress.co.uk

DUAL LOCKING SPACERS

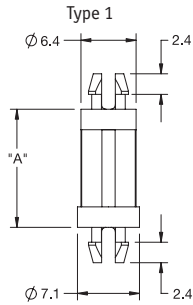
Support Post

SP/MSPE

Natural

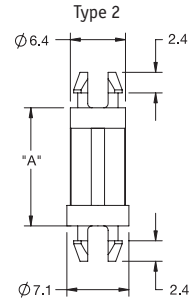


SP1
Top Hole: Snap-lock: 4 ± 0.08
Panel Thickness: 1.57



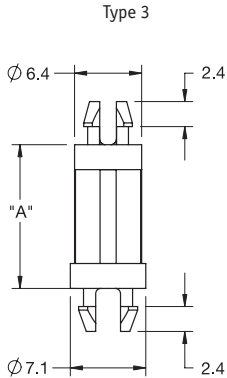
Bottom Hole: Snap-lock: 4 ± 0.08
Panel Thickness: 1.57

SP2
Top Hole: Snap-lock: 4.75 ± 0.08
Panel Thickness: 1.57



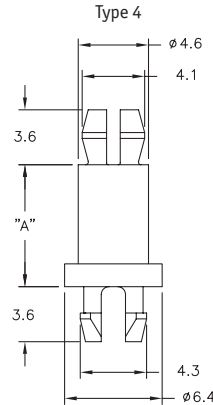
Bottom Hole: Snap-lock: 4.75 ± 0.08
Panel Thickness: 1.57

SP3
Top Hole: Snap-lock: 4 ± 0.08
Panel Thickness: 1.57



Bottom Hole: Snap-lock: 4.75 ± 0.08
Panel Thickness: 1.57

MSPE
Top Hole: Snap-fit: 3.9 ± 0.05
Panel Thickness: 1.57



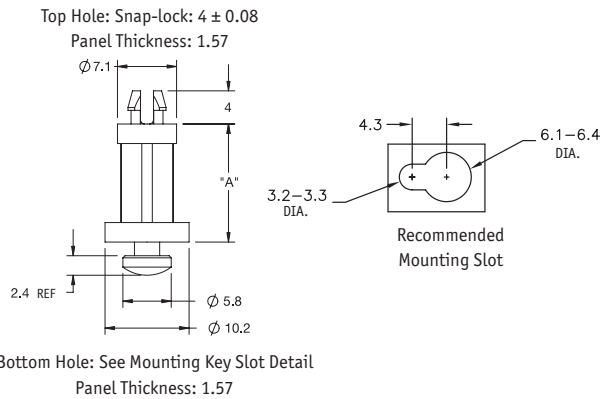
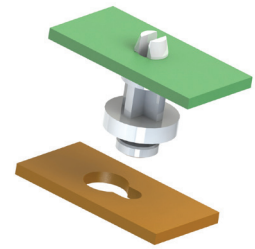
Bottom Hole: Snap-lock: 3.9 ± 0.05
Panel Thickness: 1.57

Part Number								"A" Standoff Height	Std Pack Qty
SP1 (Type 1)		SP2 (Type 2)		SP3 (Type 3)		MSPE (Type 4)			
Nylon 6/6, RMS-01	UL94 V0 Nylon 6/6, RMS-19	Nylon 6/6, RMS-01	UL94 V0 Nylon 6/6, RMS-19	Nylon 6/6, RMS-01	UL94 V0 Nylon 6/6, RMS-19	Nylon 6/6, RMS-01	UL94 V0 Nylon 6/6, RMS-19		
-	-	-	-	-	-	MSPE-2-01	MSPE-2-19	3.2	1000
SP1-3-01	SP1-3-19	SP2-3-01	SP2-3-19	SP3-3-01	SP3-3-19	MSPE-3-01	MSPE-3-19	4.8	1000
SP1-4-01	SP1-4-19	SP2-4-01	SP2-4-19	SP3-4-01	SP3-4-19	MSPE-4-01	MSPE-4-19	6.4	1000
-	-	-	-	-	-	MSPE-5-01	MSPE-5-19	7.9	1000
SP1-6-01	SP1-6-19	SP2-6-01	SP2-6-19	SP3-6-01	SP3-6-19	MSPE-6-01	MSPE-6-19	9.5	1000
-	-	-	-	-	-	MSPE-7-01	MSPE-7-19	11.1	1000
SP1-8-01	SP1-8-19	SP2-8-01	SP2-8-19	SP3-8-01	SP3-8-19	MSPE-8-01	MSPE-8-19	12.7	1000
SP1-10-01	SP1-10-19	SP2-10-01	SP2-10-19	SP3-10-01	SP3-10-19	MSPE-10-01	MSPE-10-19	15.9	1000
-	-	-	-	-	-	MSPE-11-01	MSPE-11-19	17.5	1000
SP1-12-01	SP1-12-19	SP2-12-01	SP2-12-19	SP3-12-01	SP3-12-19	MSPE-12-01	MSPE-12-19	19.1	1000
SP1-14-01	SP1-14-19	SP2-14-01	SP2-14-19	SP3-14-01	SP3-14-19	MSPE-14-01	MSPE-14-19	22.2	1000
SP1-16-01	SP1-16-19	SP2-16-01	SP2-16-19	SP3-16-01	SP3-16-19	MSPE-16-01	MSPE-16-19	25.4	1000
-	-	-	-	-	-	MSPE-20-01	MSPE-20-19	31.8	1000
-	-	-	-	-	-	MSPE-22-01	MSPE-22-19	34.9	1000

Key Slot Locking Support Post

KSLSP

Natural Nylon 6/6, RMS-01

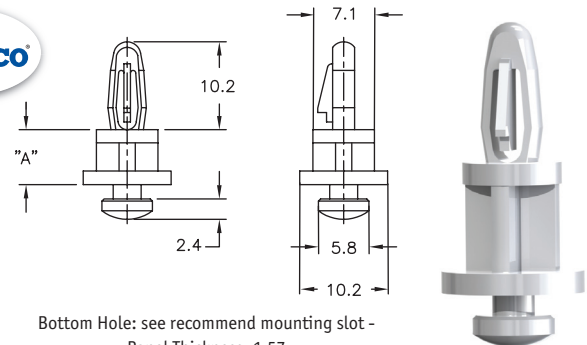


Part Number	"A" Standoff Height	Std Pack Qty
KSLSP1-3-01	4.8	1000
KSLSP1-4-01	6.4	1000
KSLSP1-6-01	9.5	1000
KSLSP1-8-01	12.7	1000
KSLSP1-10-01	15.9	1000

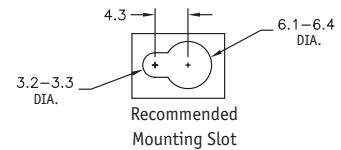
Key Slot with Locking Bayonet Nose

KSLBN

Natural UL94 V2 Nylon 6/6, RMS-01



Part Number	"A" Standoff Height	Top Panel Thickness	Top Hole \varnothing	Std Pack Qty
KSLBN-2-01	3.2	1.57	4	1000
KSLBN-4-01	6.4	1.57	4	1000
KSLBN-6-01	9.5	1.57	4	1000
KSLBN-8-01	12.7	1.57	4	1000
KSLBN-2-2-01	3.2	2.4	4	1000
KSLBN-2-4-01	6.4	2.4	4	1000
KSLBN-2-6-01	9.5	2.4	4	1000
KSLBN-2-8-01	12.7	2.4	4	1000



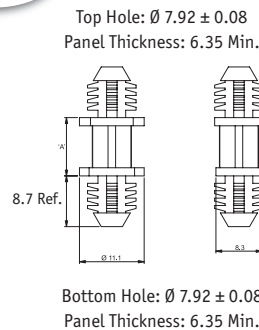
Blind Hole Circuit board Support

BHDF

Natural



Part Number		"A" Standoff Height	Std Pack Qty
UL94 V-2 Nylon 6/6, RMS-19	UL94 V-0 Nylon 6/6, RMS-19		
BHDF-3M-01	BHDF-3M-19	3	1000
BHDF-4M-01	BHDF-4M-19	4	1000
BHDF-6M-01	BHDF-6M-19	6	1000
BHDF-8M-01	BHDF-8M-19	8	1000
BHDF-10M-01	BHDF-10M-19	10	1000
BHDF-12M-01	BHDF-12M-19	12	1000
BHDF-14M-01	BHDF-14M-19	14	1000
BHDF-16M-01	BHDF-16M-19	16	1000
BHDF-18M-01	BHDF-18M-19	18	1000
BHDF-20M-01	BHDF-20M-19	20	1000



SPLIT PACKS AVAILABLE

email | sales@mossexpress.co.uk web | www.mossexpress.co.uk

131

DUAL LOCKING SPACERS

Blind Hole Mount Circuit Board Supports

BHL/BHC/BHDL

Natural UL94 V2 Nylon 6/6, RMS-01

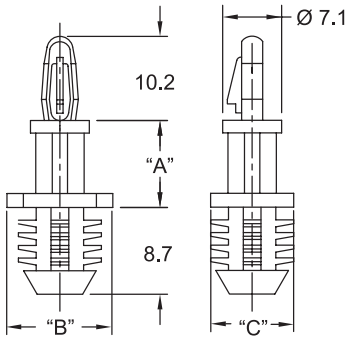


Part Number			"A" Standoff Height	"B"	"C"	Std Pack Qty
BHL (Type 1)	BHC (Type 2)	BHDL (Type 3)				
BHL-3-01	BHC-3-01	BHDL-3-01	4.8	11.1	7.9	1000
BHL-4-01	BHC-4-01	BHDL-4-01	6.4	11.1	7.9	1000
BHL-6-01	BHC-6-01	BHDL-6-01	9.5	11.1	7.9	1000
BHL-7-01	-	-	11.1	11.1	7.9	1000
BHL-8-01	BHC-8-01	BHDL-8-01	12.7	11.1	7.9	1000
BHL-10-01	BHC-10-01	BHDL-10-01	15.9	11.1	7.9	1000
BHL-12-01	BHC-12-01	BHDL-12-01	19.1	11.1	7.9	1000
BHL-14-01	BHC-14-01	BHDL-14-01	22.2	11.1	7.9	1000

BHL

Top Hole: Snap-lock: 4
Panel Thickness: 1.57

Type 1

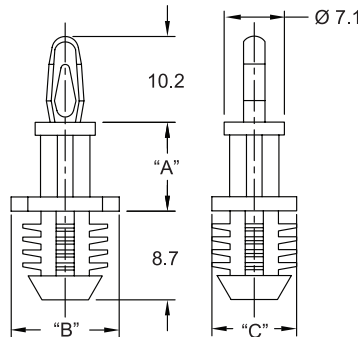


Bottom Hole: Press-fit: 7.92
Panel Thickness: 6.4 Min.

BHC

Top Hole: Snap-fit: 4
Panel Thickness: 1.57

Type 2

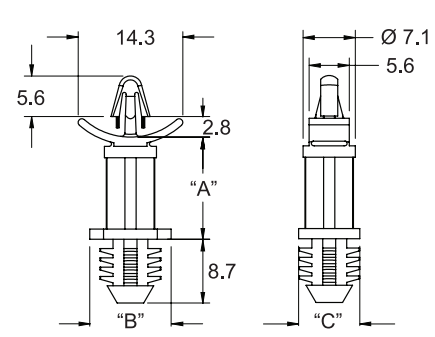


Bottom Hole: Press-fit: 7.92
Panel Thickness: 6.4 Min.

BHDL

Top Hole: Snap-lock: 4
Panel Thickness: 0.79 - 1.98

Type 3



Bottom Hole: Press-fit: 7.92
Panel Thickness: 6.4 Min.

Touch Control Spacer

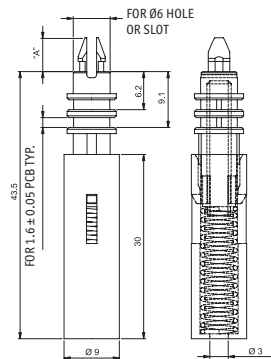
TCS

Natural

- Spring provides continuous force to light sensors mounted onto a PCB so that they are in constant contact with the cover
- Travel: 3 mm

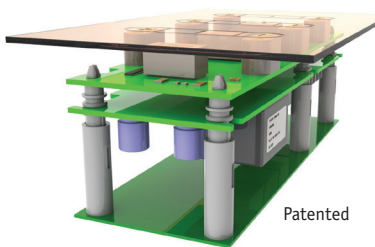


Top Hole: Snap-lock: 4.2 ± 0.05
Panel Thickness: 1.6 ± 0.05



Bottom Hole: Tolocate over a vertical tab

Part Number	"A" (mm)	Spacer Material	Spring Material	Std Pack Qty
TCS-1	5.4	Nylon 6/6, RMS-01	Stainless Steel, RMS-230	500
TCS-2	5.4	Nylon 6/6, RMS-19	Stainless Steel, RMS-230	500
TCS-3	4.2	Nylon 6/6, RMS-01	Stainless Steel, RMS-230	500
TCS4	4.2	Nylon 6/6, RMS-19	Stainless Steel, RMS-230	500

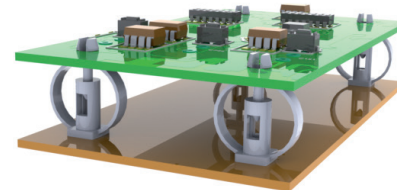
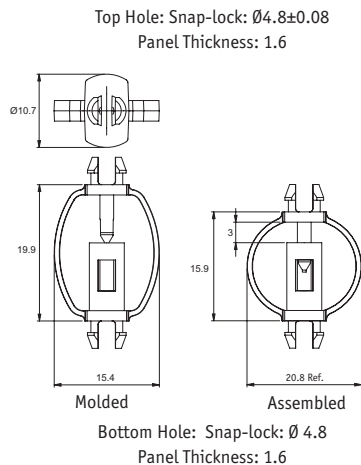


Patented

Sprung Spacer

CBSP

Natural Acetal, RMS-61



Part Number	Std Pack Qty
CBSP-1	1000

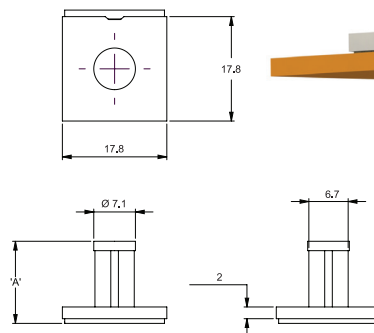
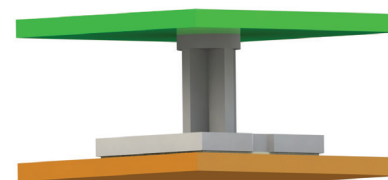
Push Spacer on Adhesive Base

PSB

Natural UL94 V2 Nylon 6/6, RMS-01

Adhesive: 0.8 thick double-sided adhesive tape, RMS-24

Part Number	"A" (mm)	Std Pack Qty
PSB-6M-01A2-RT	6	1000
PSB-8M-01A2-RT	8	1000
PSB-10M-01A2-RT	10	1000
PSB-12M-01A2-RT	12	1000
PSB-14M-01A2-RT	14	1000
PSB-16M-01A2-RT	16	1000



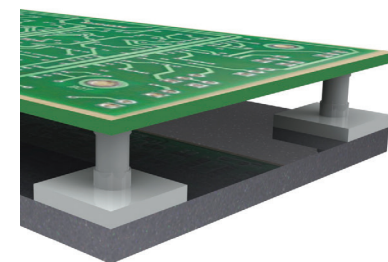
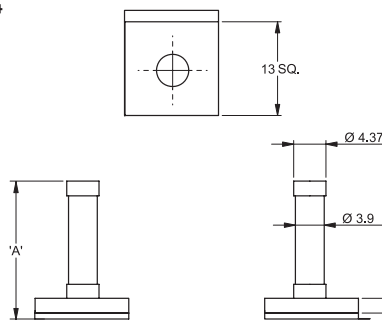
Miniature Push Spacer

PSBM

Natural UL94 V-2 Nylon 6/6, RMS-01

Adhesive: 0.8 thick double-sided adhesive tape, RMS-24

Part Number	"A" Standoff Height	Std Pack Qty
PSBM-3-01A-RT	4.8	1000
PSBM-4-01A-RT	6.4	1000
PSBM-5-01A-RT	7.9	1000
PSBM-6-01A-RT	9.5	1000
PSBM-7-01A-RT	11.1	1000
PSBM-8-01A-RT	12.7	1000
PSBM-9-01A-RT	14.3	1000
PSBM-10-01A-RT	15.9	1000
PSBM-12-01A-RT	19.1	1000
PSBM-14-01A-RT	22.2	1000



PUSH SPACERS

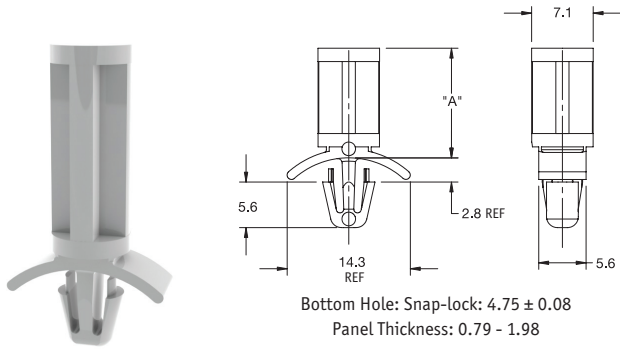
Push Spacer

PS

Natural



Can't find the size you are looking for? Contact us!



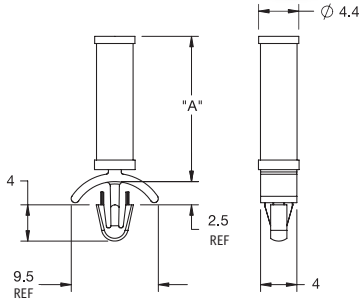
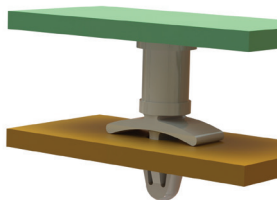
Part Number		"A" Standoff Height	Std Pack Qty
UL94 V2 Nylon 6/6,RMS-01	UL94 V-0 Nylon 6/6,RMS-19		
PS-3-01	PS-3-19	4.8	1000
PS-4-01	PS-4-19	6.4	1000
PS-6-01	PS-6-19	9.5	1000
PS-7-01	PS-7-19	11.1	1000
PS-8-01	PS-8-19	12.7	1000
PS-10-01	PS-10-19	15.9	1000
PS-12-01	PS-12-19	19.1	1000
PS-14-01	PS-14-19	22.2	1000

Bottom Hole: Snap-lock: 4.75 ± 0.08
Panel Thickness: 0.79 - 1.98

Mini Push Spacer

PSM

Natural UL94 V2 Nylon 6/6, RMS-01



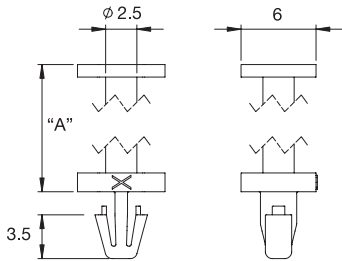
Part Number	"A" Standoff Height	Std Pack Qty
PSM-2-01	3.2	1000
PSM-3-01	4.8	1000
PSM-4-01	6.4	1000
PSM-5-01	7.9	1000
PSM-6-01	9.5	1000
PSM-7-01	11.1	1000
PSM-8-01	12.7	1000
PSM-9-01	14.3	1000
PSM-10-01	15.9	1000

Bottom Hole: Snap-lock: 3.18
Panel Thickness: 0.79 -1.98

Metric Push Spacer

PSD

Natural



Part Number		"A" Standoff Height	Std Pack Qty
UL94 V-2 Nylon 6/6, RMS-01	UL94 V-0 Nylon 6/6, RMS-19		
PSD-4M-01	PSD-4M-19	4	1000
PSD-6M-01	PSD-6M-19	6	1000
PSD-7M-01	PSD-7M-19	7	1000
PSD-8M-01	PSD-8M-19	8	1000
PSD-10M-01	PSD-10M-19	10	1000
PSD-12M-01	PSD-12M-19	12	1000
PSD-14M-01	PSD-14M-19	14	1000
PSD-18M-01	PSD-18M-19	18	1000

Bottom Hole: Snap-lock: Ø 3 - 3.1
Panel Thickness: 1.6

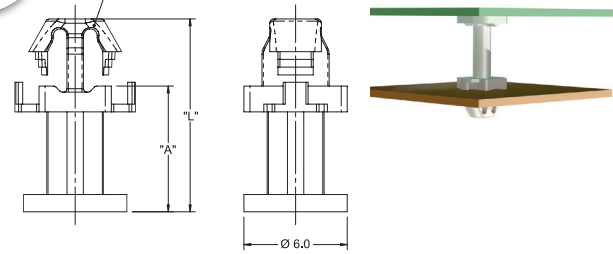
Push Spacer

PSE

Natural



Top Hole: Snap-Lock \varnothing 4.0-4.2
Panel Thickness: 0.8-1.6

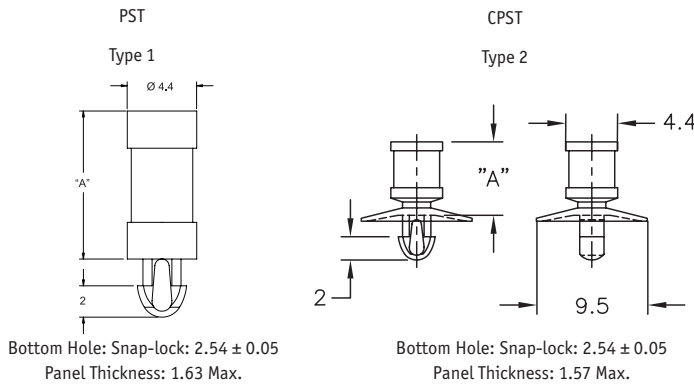


Part Number		"A"	"L"	Std Pack Qty
UL94 V-2 Nylon 6/6, RMS-01	UL94 V-0 Nylon 6/6, RMS-19			
PSE-4M-01	PSE-4M-19	4	7.9	1000
PSE-6M-01	PSE-6M-19	6	9.9	1000
PSE-7M-01	PSE-7M-19	7	10.9	1000
PSE-8M-01	PSE-8M-19	8	11.9	1000

Push Spacer Teardrop

PST/CPST

Natural

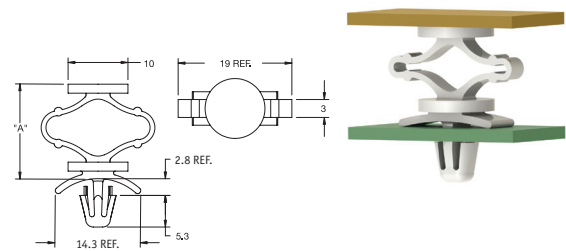


Part Number			"A" Standoff Height	Std Pack Qty
PST (Type 1)		CPST (Type 2)		
UL94 V2 Nylon 6/6, RMS-01	UL 94 V0 Nylon 6/6, RMS-19	UL94 V2 Nylon 6/6, RMS-01		
PST-1-01	PST-1-19	-	1.6	1000
PST-2-01	PST-2-19	CPST-2-01	3.2	1000
PST-3-01	PST-3-19	CPST-3-01	4.8	1000
PST-4-01	PST-4-19	CPST-4-01	6.4	1000
PST-5-01	PST-5-19	CPST-5-01	7.9	1000
PST-6-01	PST-6-19	CPST-6-01	9.5	1000
PST-7-01	PST-7-19	CPST-7-01	11.1	1000
PST-8-01	PST-8-19	CPST-8-01	12.7	1000
PST-9-01	PST-9-19	CPST-9-01	14.3	1000
PST-10-01	PST-10-19	CPST-10-01	15.9	1000

Push Spacer with Cushion

PSC

Natural Impact Modified Nylon 6/6 UV Stabilized, RMS-73



Part Number	"A" Spacer Length Uncompressed	Std Pack Qty
PSC-1	9.5	1000
PSC-2	12.7	1000
PSC-3	15.9	1000
PSC-4	19.1	1000

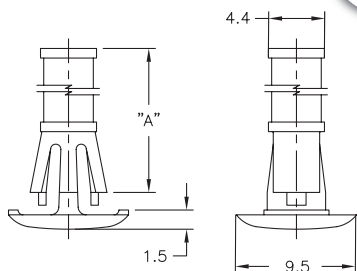
Bottom Hole: Snap-lock: 4.75±0.08
Panel Thickness: 0.79-1.98

REVERSE LOCKING SPACERS

Reverse Locking Circuit Board Support Round Hole Spacer

RLCBSRS

Natural Nylon 6/6, RMS-01



Bottom Hole: Snap-lock: 4.75 ± 0.08
Panel Thickness: 1.5 - 1.6

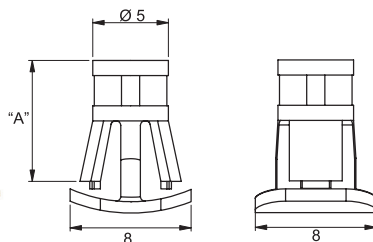
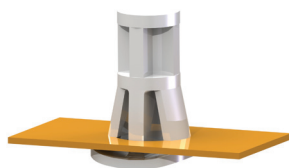


Part Number	"A" Standoff Height	Std Pack Qty
RLCBSRS-4-01	6.4	1000
RLCBSRS-5-01	7.9	1000
RLCBSRS-6-01	9.5	1000
RLCBSRS-7-01	11.1	1000
RLCBSRS-8-01	12.7	1000
RLCBSRS-9-01	14.3	1000
RLCBSRS-10-01	15.9	1000

Metric Reverse Lock Circuit Board Support Push Spacer

RLCBSB

Natural UL94 V2 Nylon 6/6, RMS-01



Bottom Hole: Snap-lock: 5.5
Panel Thickness: 0.5 - 1

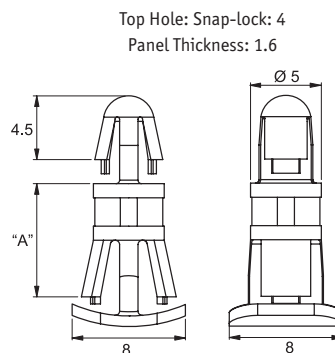
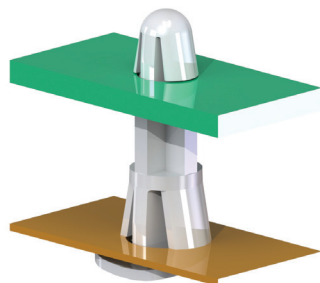


Part Number	"A" Standoff Height	Std Pack Qty
RLCBSB-5-01	5	1000
RLCBSB-6-01	6	1000
RLCBSB-8-01	8	1000
RLCBSB-10-01	10	1000
RLCBSB-12-01	12	1000
RLCBSB-14-01	14	1000

Metric Reverse Lock Circuit Board Support

RLCBSA

Natural UL94 V2 Nylon 6/6, RMS-01



Bottom Hole: Snap-lock: 5.5
Panel Thickness: 0.5 - 1



Part Number	"A" Standoff Height	Std Pack Qty
RLCBSA-5-01	5	1000
RLCBSA-6-01	6	1000
RLCBSA-8-01	8	1000
RLCBSA-10-01	10	1000
RLCBSA-12-01	12	1000
RLCBSA-14-01	14	1000

Metric Reverse Lock Circuit Board Support

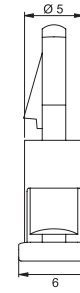
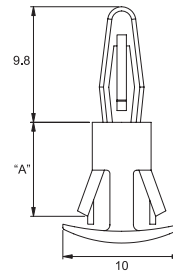
RLCBSC

Natural UL94 V2 Nylon 6/6, RMS-01



Part Number	"A" Standoff Height	Std Pack Qty
RLCBSC-5-01	5	1000
RLCBSC-6-01	6	1000
RLCBSC-8-01	8	1000
RLCBSC-10-01	10	1000
RLCBSC-12-01	12	1000
RLCBSC-14-01	14	1000

Top Hole: Snap-lock: 3.2
Panel Thickness: 1.6



Bottom Hole: Snap-lock: 5.4
Panel Thickness: 0.8

Cupped Reverse Locking Circuit Board Support

CRLCBSR/CRLCBSRE



Can't find the size you are looking for? Contact us!

CRLCBSR

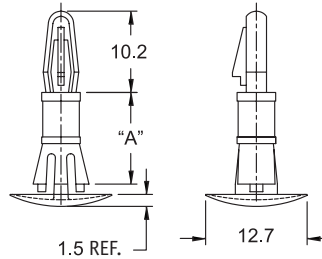
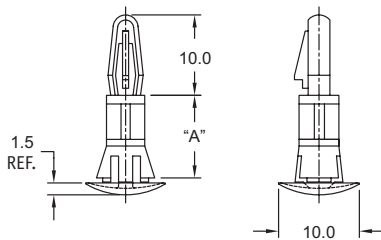
CRLCBSRE

Top Hole: Snap-lock: 4 ± 0.08
Panel Thickness: 1.6

Top Hole: Snap-lock: 4 ± 0.08
Panel Thickness: 1.6

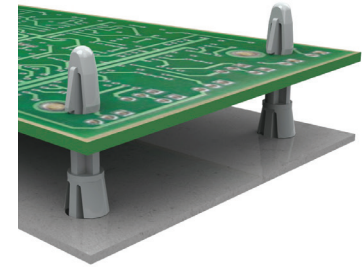
Type 1

Type 2



Bottom Hole: Snap-lock: 6 ± 0.08
Panel Thickness: 0.8 - 1.2

Bottom Hole: Snap-lock: 5.4 ± 0.08
Panel Thickness: 1.2 - 2



CRLCBSR (Type 1)			CRLCBSRE (Type 2)			"A" Standoff Height	Std Pack Qty
Natural Nylon 6/6, RMS-01	Black Nylon 6/6, RMS-01	Natural UL94 V0 Nylon 6/6, RMS-19	Natural Nylon 6/6, RMS-01	Black Nylon 6/6, RMS-01	Natural UL94 V0 Nylon 6/6, RMS-19		
CRLCBSR-3-01	CRLCBSR-3-01BK	CRLCBSR-3-19	-	-	-	4.8	1000
CRLCBSR-4-01	CRLCBSR-4-01BK	CRLCBSR-4-19	CRLCBSRE-4-01	CRLCBSRE-4-01BK	CRLCBSRE-4-19	6.4	1000
CRLCBSR-5-01	CRLCBSR-5-01BK	CRLCBSR-5-19	-	-	-	7.9	1000
CRLCBSR-6-01	CRLCBSR-6-01BK	CRLCBSR-6-19	CRLCBSRE-6-01	CRLCBSRE-6-01BK	CRLCBSRE-6-19	9.5	1000
CRLCBSR-8-01	CRLCBSR-8-01BK	CRLCBSR-8-19	CRLCBSRE-8-01	CRLCBSRE-8-01BK	CRLCBSRE-8-19	12.7	1000
-	-	-	CRLCBSRE-10-01	CRLCBSRE-10-01B	CRLCBSRE-10-19	15.9	1000
CRLCBSR-12-01	CRLCBSR-12-01BK	CRLCBSR-12-19	-	-	-	19.1	1000

REVERSE LOCKING SPACERS

Reverse Mounted Circuit Board Support Round Hole

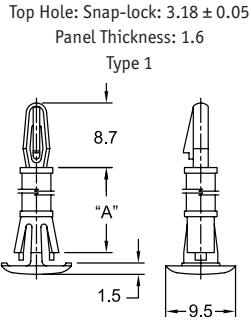
RLCBSR/RLCBSRE/RLCBSR/RCBSR



Can't find the size you are looking for? Contact us!

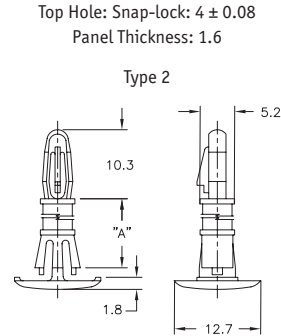


RLCBSR



Bottom Hole: Snap-lock: 4.75 ± 0.08
Panel Thickness: 1.5 - 1.6

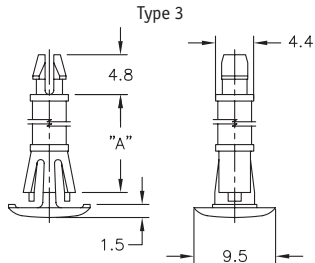
RLCBSRE



Bottom Hole: Snap-lock: 5.41 ± 0.08
Panel Thickness: 1.5 - 1.65

RLCBSR

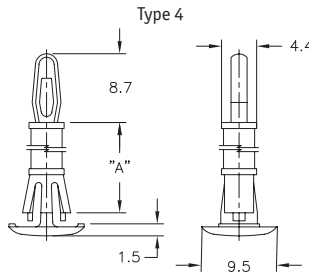
Top Hole: Snap-lock: 3.18 ± 0.05
Panel Thickness: 1.6



Bottom Hole: Snap-lock: 4.75 ± 0.08
Panel Thickness: 1.5 - 1.6

RCBSR

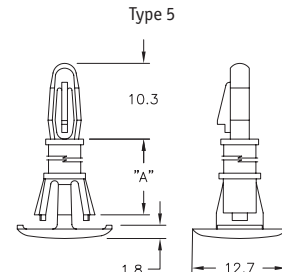
Top Hole: Snap-fit: 3.18 ± 0.05
Panel Thickness: 1.6



Bottom Hole: Snap-lock: 4.75 ± 0.08
Panel Thickness: 1.5 - 1.6

RLCBSR1

Top Hole: Snap-lock: 4 ± 0.08
Panel Thickness: 1.6



Bottom Hole: Snap-lock: 6.35 ± 0.08
Panel Thickness: 1.5 - 1.65

Part Number					"A" Standoff Height	Material	Std Pack Qty
RLCBSR (Type 1)	RLCBSRE (Type 2)	RLCBSR (Type 3)	RCBSR (Type 4)	RLCBSR1 (Type 5)			
RLCBSR-4-01	RLCBSRE-4-01	RLCBSR-4-01	RCBSR-4-01	RLCBSR1-4-01	6.4	Natural UL94 V2 Nylon, RMS-01	1000
RLCBSR-5-01	-	RLCBSR-5-01	RCBSR-5-01	-	7.9	Natural UL94 V2 Nylon, RMS-01	1000
RLCBSR-6-01	RLCBSRE-6-01	RLCBSR-6-01	RCBSR-6-01	RLCBSR1-6-01	9.5	Natural UL94 V2 Nylon, RMS-01	1000
RLCBSR-7-01	-	RLCBSR-7-01	RCBSR-7-01	-	11.1	Natural UL94 V2 Nylon, RMS-01	1000
RLCBSR-8-01	RLCBSRE-8-01	RLCBSR-8-01	RCBSR-8-01	RLCBSR1-8-01	12.7	Natural UL94 V2 Nylon, RMS-01	1000
RLCBSR-9-01	-	RLCBSR-9-01	RCBSR-9-01	-	14.3	Natural UL94 V2 Nylon, RMS-01	1000
RLCBSR-10-01	RLCBSRE-10-01	RLCBSR-10-01	RCBSR-10-01	RLCBSR1-10-01	15.9	Natural UL94 V2 Nylon, RMS-01	1000
RLCBSR-4-19	-	RLCBSR-4-19	-	-	6.4	Natural UL94 V0 Nylon, RMS-19	1000
RLCBSR-5-19	-	RLCBSR-5-19	-	-	7.9	Natural UL94 V0 Nylon, RMS-19	1000
RLCBSR-6-19	-	RLCBSR-6-19	-	-	9.5	Natural UL94 V0 Nylon, RMS-19	1000
RLCBSR-7-19	-	RLCBSR-7-19	-	-	11.1	Natural UL94 V0 Nylon, RMS-19	1000
RLCBSR-8-19	-	RLCBSR-8-19	-	-	12.7	Natural UL94 V0 Nylon, RMS-19	1000
RLCBSR-9-19	-	RLCBSR-9-19	-	-	14.3	Natural UL94 V0 Nylon, RMS-19	1000
RLCBSR-10-19	-	RLCBSR-10-19	-	-	15.9	Natural UL94 V0 Nylon, RMS-19	1000
RLCBSR-4-01BK	RLCBSRE-4-01BK	RLCBSR-4-01BK	RCBSR-4-01BK	RLCBSR1-4-01BK	6.4	Black UL94 V2 Nylon, RMS-01	1000
RLCBSR-5-01BK	-	RLCBSR-5-01BK	RCBSR-5-01BK	-	7.9	Black UL94 V2 Nylon, RMS-01	1000
RLCBSR-6-01BK	RLCBSRE-6-01BK	RLCBSR-6-01BK	RCBSR-6-01BK	RLCBSR1-6-01BK	9.5	Black UL94 V2 Nylon, RMS-01	1000
RLCBSR-7-01BK	-	RLCBSR-7-01BK	RCBSR-7-01BK	-	11.1	Black UL94 V2 Nylon, RMS-01	1000
RLCBSR-8-01BK	RLCBSRE-8-01BK	RLCBSR-8-01BK	RCBSR-8-01BK	RLCBSR1-8-01BK	12.7	Black UL94 V2 Nylon, RMS-01	1000
RLCBSR-9-01BK	-	RLCBSR-9-01BK	RCBSR-9-01BK	-	14.3	Black UL94 V2 Nylon, RMS-01	1000
RLCBSR-10-01BK	RLCBSRE-10-01BK	RLCBSR-10-01BK	RCBSR-10-01BK	RLCBSR1-10-01BK	15.9	Black UL94 V2 Nylon, RMS-01	1000

Metric Reverse Locking Circuit Board Support

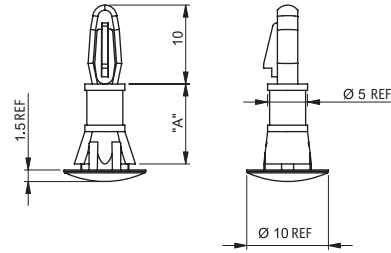


CRLCBSM

Natural UL94 VO Nylon 6/6, RMS-19

Part Number	"A" Standoff Height	Panel Thickness	Std Pack Qty
CRLCBSM-5-19	5	0.8 - 1.2	1000
CRLCBSM-6-19	6	0.8 - 1.2	1000
CRLCBSM-7-19	7	0.8 - 1.2	1000
CRLCBSM-8-19	8	0.8 - 1.2	1000
CRLCBSM-9-19	9	0.8 - 1.2	1000
CRLCBSM-10-19	10	0.8 - 1.2	1000
CRLCBSM-12-19	12	0.8 - 1.2	1000
CRLCBSM-14-19	14	0.8 - 1.2	1000
CRLCBSM-16-19	16	0.8 - 1.2	1000
CRLCBSM1-5-19	5	1.6 - 2.0	1000
CRLCBSM1-6-19	6	1.6 - 2.0	1000
CRLCBSM1-7-19	7	1.6 - 2.0	1000
CRLCBSM1-8-19	8	1.6 - 2.0	1000
CRLCBSM1-9-19	9	1.6 - 2.0	1000
CRLCBSM1-10-19	10	1.6 - 2.0	1000
CRLCBSM1-12-19	12	1.6 - 2.0	1000
CRLCBSM1-14-19	14	1.6 - 2.0	1000
CRLCBSM1-16-19	16	1.6 - 2.0	1000

Top Hole Snap Lock: $\varnothing 4 \pm 0.08$
Panel Thickness: 1.6



Bottom Hole Snap-lock: $\varnothing 6 \pm 0.08$
Panel Thickness: see table

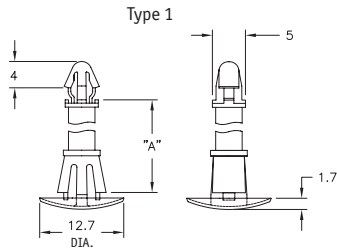
Cupped Reverse Locking Circuit Board Support



RLCBSK/CRLCBSK

CRLCBSK-2

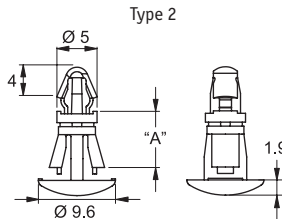
Top Hole: Snap-lock: 4 ± 0.08
Panel Thickness: 1.6



Bottom Hole Snap-lock: 5.4 ± 0.08
Panel Thickness: 1 - 1.6

RLCBSK

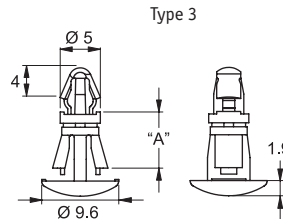
Top Hole: Snap-lock: 4 ± 0.08
Panel Thickness: 1.6



Bottom Hole Snap-lock: 5.4 ± 0.08
Panel Thickness: 1.6

RLCBSK-2

Top Hole: Snap-lock: 4 ± 0.08
Panel Thickness: 1.6



Bottom Hole Snap-lock: 5.4 ± 0.08
Panel Thickness: 2



Part Number						"A" Standoff Height	Material	Std Pack Qty
CRLCBSK-2 (Type 1)		RLCBSK (Type 2)		RLCBSK-2 (Type 3)				
Natural	Black	Natural	Black	Natural	Black			
-	-	RLCBSK-6-01	RLCBSK-6-01BK	RLCBSK-2-6-01	RLCBSK-2-6-01BK	6	Nylon 6/6, RMS-01	1000
-	-	RLCBSK-7-01	RLCBSK-7-01BK	RLCBSK-2-7-01	RLCBSK-2-7-01BK	7	Nylon 6/6, RMS-01	1000
CRLCBSK-2-8-01	CRLCBSK2-8-01B	RLCBSK-8-01	RLCBSK-8-01BK	RLCBSK-2-8-01	RLCBSK-2-8-01BK	8	Nylon 6/6, RMS-01	1000
CRLCBSK-2-10-01	CRLCBSK2-10-01B	RLCBSK-10-01	RLCBSK-10-01BK	RLCBSK-2-10-01	RLCBSK2-10-01BK	10	Nylon 6/6, RMS-01	1000
CRLCBSK-2-12-01	CRLCBSK2-12-01B	RLCBSK-12-01	RLCBSK-12-01BK	RLCBSK-2-12-01	RLCBSK2-12-01BK	12	Nylon 6/6, RMS-01	1000
CRLCBSK-2-14-01	CRLCBSK2-14-01B	RLCBSK-14-01	RLCBSK-14-01BK	RLCBSK-2-14-01	RLCBSK2-14-01BK	14	Nylon 6/6, RMS-01	1000
CRLCBSK-2-16-01	CRLCBSK2-16-01B	RLCBSK-16-01	RLCBSK-16-01BK	RLCBSK-2-16-01	RLCBSK2-16-01BK	16	Nylon 6/6, RMS-01	1000
-	-	RLCBSK-6-19	-	RLCBSK-2-6-19	-	6	UL94 VO Nylon 6/6, RMS-19	1000
-	-	RLCBSK-7-19	-	RLCBSK-2-7-19	-	7	UL94 VO Nylon 6/6, RMS-19	1000
CRLCBSK-2-8-19	-	RLCBSK-8-19	-	RLCBSK-2-8-19	-	8	UL94 VO Nylon 6/6, RMS-19	1000
CRLCBSK-2-10-19	-	RLCBSK-10-19	-	RLCBSK-2-10-19	-	10	UL94 VO Nylon 6/6, RMS-19	1000
CRLCBSK-2-12-19	-	RLCBSK-12-19	-	RLCBSK-2-12-19	-	12	UL94 VO Nylon 6/6, RMS-19	1000
CRLCBSK-2-14-19	-	RLCBSK-14-19	-	RLCBSK-2-14-19	-	14	UL94 VO Nylon 6/6, RMS-19	1000
CRLCBSK-2-16-19	-	RLCBSK-16-19	-	RLCBSK-2-16-19	-	16	UL94 VO Nylon 6/6, RMS-19	1000

SPLIT PACKS AVAILABLE

email | sales@mossexpress.co.uk web | www.mossexpress.co.uk

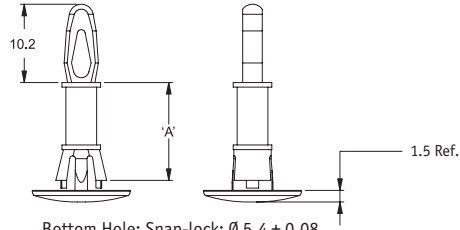
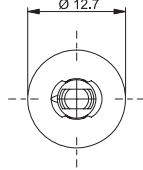
Reverse Locking Circuit Board Support

CRCBSRE
Natural



Part Number		"A" Standoff Height	Std Pack Qty
UL94 V-2 Nylon 6/6, RMS-01	UL94 V-0 Nylon 6/6, RMS-19		
CRCBSRE-3-01	CRCBSRE-3-19	4.8	1000
CRCBSRE-4-01	CRCBSRE-4-19	6.4	1000
CRCBSRE-6-01	CRCBSRE-6-19	9.5	1000
CRCBSRE-8-01	CRCBSRE-8-19	12.7	1000
CRCBSRE-10-01	CRCBSRE-10-19	15.9	1000

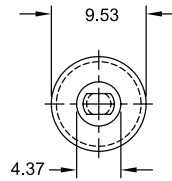
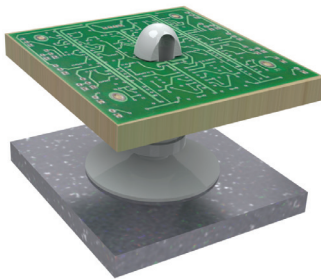
Top Hole: Snap-fit: $\varnothing 4 \pm 0.08$
Panel Thickness: 1.6



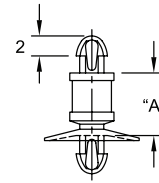
Bottom Hole: Snap-lock: $\varnothing 5.4 \pm 0.08$
Panel Thickness: 1.2 - 2

Cupped Dual Locking Circuit Board Support

CHDLCBST
Natural UL94 V-2 Nylon 6/6, RMS-01



Top Hole: $\varnothing 2.54 \pm 0.05$
Panel Thickness: 1.63

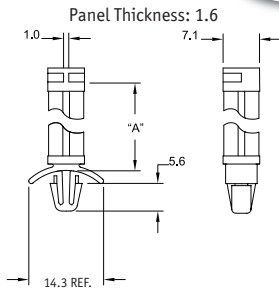
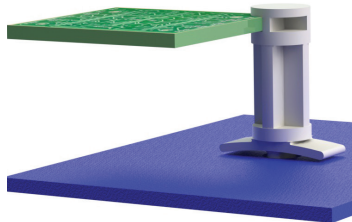


Bottom Hole: $\varnothing 2.54 \pm 0.05$
Panel Thickness: 1.57

Part Number	"A" Standoff Height	Std Pack Qty
CHDLCBST-2-01	3.18	1000
CHDLCBST-3-01	4.76	1000
CHDLCBST-4-01	6.35	1000
CHDLCBST-5-01	7.94	1000
CHDLCBST-6-01	9.53	1000
CHDLCBST-7-01	11.11	1000
CHDLCBST-8-01	12.7	1000
CHDLCBST-9-01	14.29	1000
CHDLCBST-10-01	15.88	1000

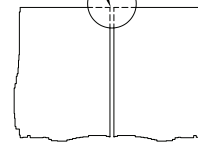
Locking Corner Edge Circuit Board Support

CHCBS
Natural UL94 V2 Nylon 6/6, RMS-01



Bottom Hole: Snap-lock: $\varnothing 4.8$
Panel Thickness: 1.6

Typical Application
Corner Support

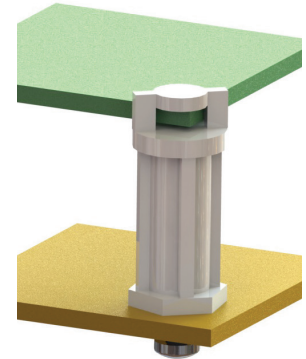


Part Number	"A" Standoff Height	Std Pack Qty
CHCBS-3-01	4.8	1000
CHCBS-4-01	6.4	1000
CHCBS-6-01	9.5	1000
CHCBS-8-01	12.7	1000
CHCBS-10-01	15.9	1000
CHCBS-12-01	19.1	1000
CHCBS-14-01	22.2	1000

Corner Edge Holding Circuit Board Support

TCEHCBS/MSCEHCBS

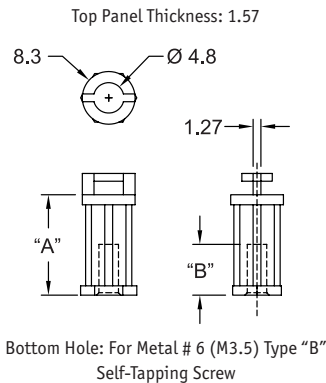
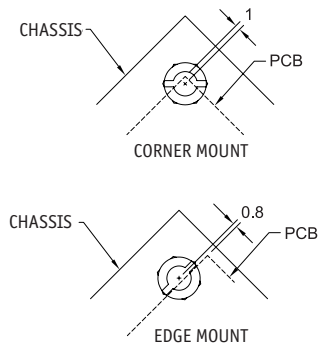
Natural Nylon 6/6, RMS-01



Part Number	"A" Standoff Height	"B"	Type	Std Pack Qty
TCEHCBS-4-01	6.4	5.2	1	1000
TCEHCBS-6-01	9.5	7.9	1	1000
TCEHCBS-8-01	12.7	7.9	1	1000
TCEHCBS-10-01	15.9	7.9	1	1000
TCEHCBS-12-01	19.1	7.9	1	1000
TCEHCBS-14-01	22.2	7.9	1	1000
MSCEHCBS-4-01	6.4	5.2	2	1000
MSCEHCBS-6-01	9.5	7.9	2	1000
MSCEHCBS-8-01	12.7	7.9	2	1000
MSCEHCBS-10-01	15.9	7.9	2	1000
MSCEHCBS-12-01	19.1	7.9	2	1000
MSCEHCBS-14-01	22.2	7.9	2	1000

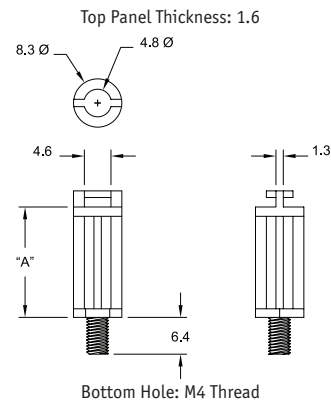
TCEHCBS

Type 1



MSCEHCBS

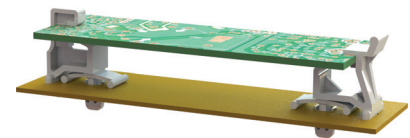
Type 2



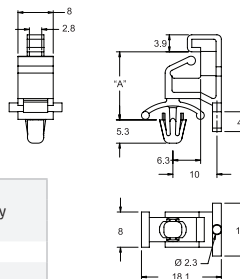
Universal Board Mount

UBM & UBMC

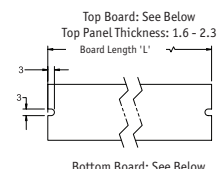
Natural



UBM Type 1

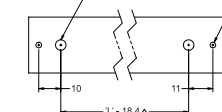


MOUNTING LAYOUT

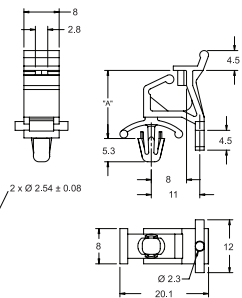


Top Board: See Below
Top Panel Thickness: 1.6 - 2.3
Board Length 'L'

Bottom Board: See Below
Bottom Panel Thickness: 1 - 2.3



UBMC Type 2



Part Number		"A" Standoff Height	Std Pack Qty
UBM (Type 1)	UBMC (Type 2)		
Nylon 6/6, RMS-01	Nylon 6/6, RMS-01	12.3	500
UBM-12.3M-01	UBMC-12.3M-01		
UBM-15.5M-01	UBMC-15.5M-01	15.5	500
UBM-22.0M-01	UBMC-22.0M-01	22	500

SPLIT PACKS AVAILABLE

email | sales@mossexpress.co.uk

web | www.mossexpress.co.uk

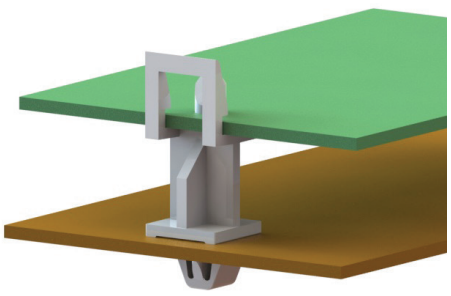
141



Hinged Locking Circuit Board Support System

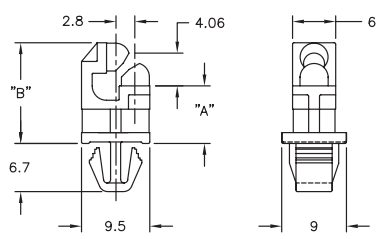
HLCBSE2 & PCBEHE2, UL94 V2 Nylon 6/6, RMS-01

Natural

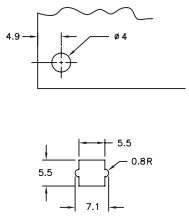


Part Number	"A" Standoff Height	"B"	Part Number	"A" Standoff Height	"B"	Std Pack Qty
HLCBSE2-4M-01	4	10	PCBEHE2-4M-01	4	13.1	1000
HLCBSE2-6M-01	6	12	PCBEHE2-6M-01	6	15.1	1000
HLCBSE2-8M-01	8	14	PCBEHE2-8M-01	8	17.1	1000
HLCBSE2-10M-01	10	16	PCBEHE2-10M-01	10	19.1	1000
HLCBSE2-12M-01	12	18	PCBEHE2-12M-01	12	21.1	1000
HLCBSE2-14M-01	14	20	PCBEHE2-14M-01	14	23.1	1000
HLCBSE2-25M-01	25	31	PCBEHE2-25M-01	25	34.1	1000
HLCBSE2-30M-01	30	36	PCBEHE2-30M-01	30	39.1	1000

HLCBSE2

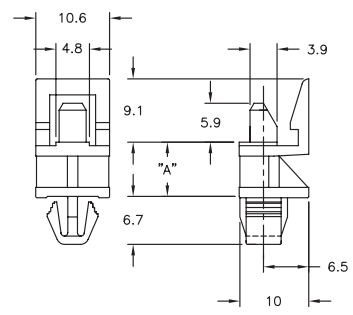


Top Hole: $\phi 4$
Panel Thickness: 1.6



Bottom Hole: See Above
Panel Thickness: 1.2 - 1.8

PCBEHE2



Edge Holding Circuit Board Support

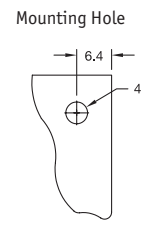
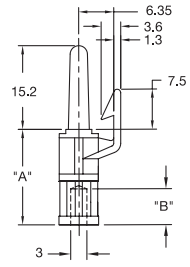
TEHCBS

Natural



Part Number		"A"	"B"	Std Pack Qty
UL94 V2 Nylon 6/6, RMS-01	UL94 V0 Nylon 6/6, RMS-19			
TEHCBS-4-01	TEHCBS-4-19	6.4	6.4	1000
TEHCBS-5-01	TEHCBS-5-19	7.9	5.2	1000
TEHCBS-6-01	TEHCBS-6-19	9.5	6.4	1000
TEHCBS-8-01	TEHCBS-8-19	12.7	6.4	1000
TEHCBS-10-01	TEHCBS-10-19	15.9	6.4	1000
TEHCBS-12-01	TEHCBS-12-19	19.1	6.4	1000
TEHCBS-14-01	TEHCBS-14-19	22.2	6.4	1000
TEHCBS-16-01	TEHCBS-16-19	25.4	6.4	1000

Top Hole: 4 ± 0.08
Panel Thickness: 1.57



Bottom Hole: For Metal #6 Self-Tapping Screw



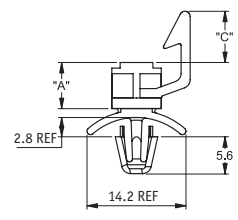
Edge Holding Circuit Board Support, No Nose

EHCBS-9/10

Natural, UL94 V2 Nylon 6/6, RMS-01



Part Number		"A" Standoff Height	Std Pack Qty
"C" = 6.1	"C" = 7.5		
EHCBS-9-5-01	EHCBS-10-5-01	7.9	1000
EHCBS-9-6-01	EHCBS-10-6-01	9.5	1000
EHCBS-9-8-01	EHCBS-10-8-01	12.7	1000
EHCBS-9-10-01	EHCBS-10-10-01	15.9	1000
EHCBS-9-12-01	EHCBS-10-12-01	19.1	1000
EHCBS-9-14-01	EHCBS-10-14-01	22.2	1000
EHCBS-9-16-01	EHCBS-10-16-01	25.4	1000

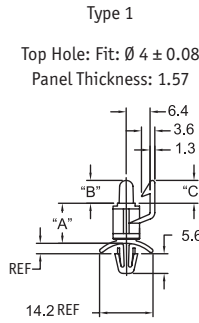


Bottom Hole:
Snap-lock: $\phi 4.75 \pm 0.08$
Panel Thickness: 0.79-1.98



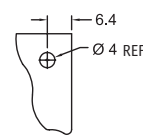
Edge Holding Circuit Board Support

EHCBS
Natural

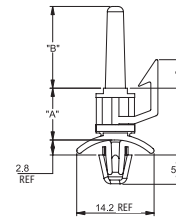


Bottom Hole: Snap-lock: $\varnothing 4.75 \pm 0.08$
Panel Thickness: 0.79-1.98

Mounting Hole



Type 2



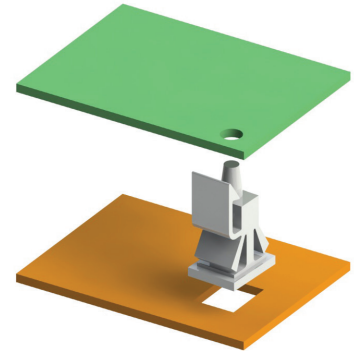
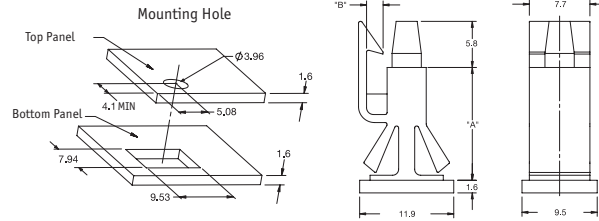
Bottom Hole: Snap-lock: $\varnothing 4.75 \pm 0.08$
Panel Thickness: 0.79-1.98



Part Number								"A"	Std Pack Qty
Type 1				Type 2					
"B" = 15.2 "C" = 7.5		"B" = 6.1 "C" = 6.1		"B" = 6.1 "C" = 7.5		"B" = 15.2 "C" = 6.1			
UL94 V2	UL94 V0	UL94 V2	UL94 V0	UL94 V2	UL94 V0	UL94 V2	UL94 V0		
Nylon 6/6, RMS-01	Nylon 6/6, RMS-19	Nylon 6/6, RMS-01	Nylon 6/6, RMS-19	Nylon 6/6, RMS-01	Nylon 6/6, RMS-19	Nylon 6/6, RMS-01	Nylon 6/6, RMS-19		
EHCBS-5-01	EHCBS-5-19	EHCBS-6-5-01	EHCBS-6-5-19	EHCBS-7-5-01	EHCBS-7-5-19	EHCBS-8-5-01	EHCBS-8-5-19	7.9	1000
EHCBS-6-01	EHCBS-6-19	EHCBS-6-6-01	EHCBS-6-6-19	EHCBS-7-6-01	EHCBS-7-6-19	EHCBS-8-6-01	EHCBS-8-6-19	9.5	1000
EHCBS-8-01	EHCBS-8-19	EHCBS-6-8-01	EHCBS-6-8-19	EHCBS-7-8-01	EHCBS-7-8-19	EHCBS-8-8-01	EHCBS-8-8-19	12.7	1000
EHCBS-10-01	EHCBS-10-19	EHCBS-6-10-01	EHCBS-6-10-19	EHCBS-7-10-01	EHCBS-7-10-19	EHCBS-8-10-01	EHCBS-8-10-19	15.9	1000
EHCBS-12-01	EHCBS-12-19	EHCBS-6-12-01	EHCBS-6-12-19	EHCBS-7-12-01	EHCBS-7-12-19	EHCBS-8-12-01	EHCBS-8-12-19	19.1	1000
EHCBS-14-01	EHCBS-14-19	EHCBS-6-14-01	EHCBS-6-14-19	EHCBS-7-14-01	EHCBS-7-14-19	EHCBS-8-14-01	EHCBS-8-14-19	22.2	1000
EHCBS-16-01	EHCBS-16-19	EHCBS-6-16-01	EHCBS-6-16-19	EHCBS-7-16-01	EHCBS-7-16-19	EHCBS-8-16-01	EHCBS-8-16-19	25.4	1000

Reverse Locking Edge Holding Circuit Board Support

RLEHCS
Black, UL94 V2 Nylon 6/6, RMS-01



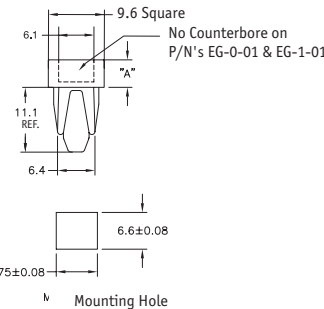
Part number	"A" Standoff Height	"B"	Std Pack Qty
RLEHCS-5-01BK	9.5	1.5	1000
RLEHCS-6-01BK	11.1	1.5	1000
RLEHCS-7-01BK	12.7	2.1	1000
RLEHCS-8-01BK	14.3	2.1	1000

Expansion Grommet

EG
Natural, Nylon 6/6, RMS-01



Top Hole: For 4.2 mm or 4.8 mm
Self-Tapping Sheet Metal Screw



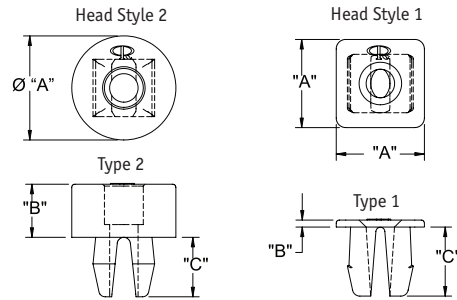
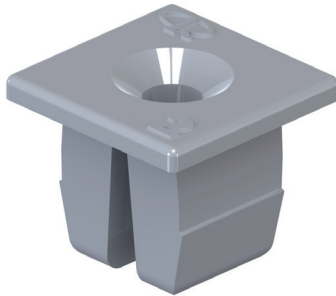
Panel Thickness: 0.51 - 1.93

Part Number	"A" Standoff Height	Std Pack Qty
EG-0-01	0.8	1000
EG-1-01	1.6	1000
EG-2-01	3.2	1000
EG-3-01	4.8	1000
EG-4-01	6.4	1000
EG-5-01	7.9	1000
EG-6-01	9.5	1000
EG-7-01	11.1	1000
EG-8-01	12.7	1000

Self-Retaining Screw Grommet

SRS

Natural, Nylon 6/6, RMS-01



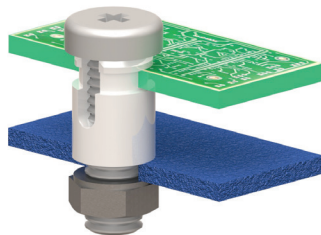
Part number	"A" Head Size	"B" Head Thickness	"C" Prong Length	Mounting Hole Size (Square)	Panel Thickness Range	Metal Self-Tapping Screw Size (mm)	Type	Head Style	Std Pack Qty
SRS6-04-01	9.7x9.7	1	7.1	6.22-6.48	0.79-3.18	3.5	1	1	1000
SRS6-1D	12.4 Dia.	6.1-6.6	7.1	7.14-7.26	*0.79-2.77	4.2 or 4.8	2	2	1000
SRS6-2D	12.4 Dia.	7.8-8.1	7.1	7.14-7.26	*0.79-2.77	4.2 or 4.8	2	2	1000
SRS6-3D	12.4 Dia.	9.1-9.9	7.1	7.14-7.26	*0.79-2.77	4.2 or 4.8	2	2	1000
SRS6-4D	12.4 Dia.	12.3-13.1	7.1	7.14-7.26	*0.79-2.77	4.2 or 4.8	2	2	1000
SRS6-5D	12.4 Dia.	15.5-16.3	7.1	7.14-7.26	*0.79-2.77	4.2 or 4.8	2	2	1000
SRS6-6D	12.4 Dia.	17.1-17.8	7.1	7.14-7.26	*0.79-2.77	4.2 or 4.8	2	2	1000
SRS6-7S	10.3x10.3	0.7 - 1	8.3	6.99-7.37	0.79-3.3	4.2 or 4.8	1	1	1000
SRS6-8S	10.3x10.3	1.4 - 1.7	8.3	6.99-7.37	0.79-3.3	4.2 or 4.8	1	1	1000
SRS6-9D	12.7 Dia.	2.4-2.6	8.3	7.11-7.49	0.79-3.96	4.2 or 4.8	1	2	1000
SRS6-10D	12.7 Dia.	3.2-3.4	8.3	7.11-7.49	0.79-3.96	4.2 or 4.8	1	2	1000
SRS6-11D	12.7 Dia.	9.1-9.9	8.3	7.11-7.49	0.79-3.96	4.2 or 4.8	1	2	1000

*At minimum panel thickness, part will only function with a 4.8 mm screw.

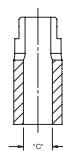
Self-Retaining Spacer

SRS

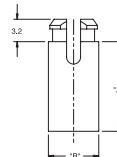
Natural



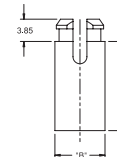
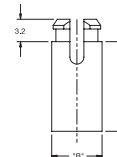
Type 1
Top Hole: Snap-lock: Ø 4.7
Panel Thickness: 1.57



Type 2
Top Hole: Snap-lock: Ø 5.9
Panel Thickness: 1.57



Type 3
Top Hole: Snap-lock: Ø 5.9
Panel Thickness: 2.2



Part Number				"A" Standoff Height	Material	Std Pack Qty
Type 1	Type 2		Type 3			
For M3 Screw	For M3.5 Screw	For M4 Screw				
"B" = 6.4 "C" = 3.2	"B" = 7.1 "C" = 3.9	"B" = 7.1 "C" = 4.3				
SRS4-2-01	-	SRS8-2-01		3.2	Natural UL94 V2 Nylon 6/6, RMS-01	1000
SRS4-3-01	-	SRS8-3-01	SRS8-2-3-01	4.8	Natural UL94 V2 Nylon 6/6, RMS-01	1000
SRS4-4-01	SRS6-4-01	SRS8-4-01	SRS8-2-4-01	6.4	Natural UL94 V2 Nylon 6/6, RMS-01	1000
SRS4-5-01	SRS6-5-01	SRS8-5-01	SRS8-2-5-01	7.9	Natural UL94 V2 Nylon 6/6, RMS-01	1000
SRS4-6-01	SRS6-6-01	SRS8-6-01	SRS8-2-6-01	9.5	Natural UL94 V2 Nylon 6/6, RMS-01	1000
SRS4-7-01	SRS6-7-01	SRS8-7-01	SRS8-2-7-01	11.1	Natural UL94 V2 Nylon 6/6, RMS-01	1000
SRS4-8-01	SRS6-8-01	SRS8-8-01	SRS8-2-8-01	12.7	Natural UL94 V2 Nylon 6/6, RMS-01	1000
SRS4-10-01	SRS6-10-01	SRS8-10-01	SRS8-2-10-01	15.9	Natural UL94 V2 Nylon 6/6, RMS-01	1000
SRS4-12-01	SRS6-12-01	SRS8-12-01	SRS8-2-12-01	19.1	Natural UL94 V2 Nylon 6/6, RMS-01	1000
SRS4-14-01	SRS6-14-01	SRS8-14-01	SRS8-2-14-01	22.2	Natural UL94 V2 Nylon 6/6, RMS-01	1000
SRS4-16-01	SRS6-16-01	SRS8-16-01	SRS8-2-16-01	25.4	Natural UL94 V2 Nylon 6/6, RMS-01	1000
SRS4-2-19	-	SRS8-2-19	SRS8-2-2-19	3.2	Natural UL94 V0 Nylon 6/6, RMS-19	1000
SRS4-3-19	-	SRS8-3-19	SRS8-2-3-19	4.8	Natural UL94 V0 Nylon 6/6, RMS-19	1000
SRS4-4-19	SRS6-4-19	SRS8-4-19	SRS8-2-4-19	6.4	Natural UL94 V0 Nylon 6/6, RMS-19	1000
SRS4-5-19	SRS6-5-19	SRS8-5-19	SRS8-2-5-19	7.9	Natural UL94 V0 Nylon 6/6, RMS-19	1000
SRS4-6-19	SRS6-6-19	SRS8-6-19	SRS8-2-6-19	9.5	Natural UL94 V0 Nylon 6/6, RMS-19	1000
SRS4-7-19	SRS6-7-19	SRS8-7-19	SRS8-2-7-19	11.1	Natural UL94 V0 Nylon 6/6, RMS-19	1000
SRS4-8-19	SRS6-8-19	SRS8-8-19	SRS8-2-8-19	12.7	Natural UL94 V0 Nylon 6/6, RMS-19	1000
SRS4-10-19	SRS6-10-19	SRS8-10-19	SRS8-2-10-19	15.9	Natural UL94 V0 Nylon 6/6, RMS-19	1000
SRS4-12-19	SRS6-12-19	SRS8-12-19	SRS8-2-12-19	19.1	Natural UL94 V0 Nylon 6/6, RMS-19	1000
SRS4-14-19	SRS6-14-19	SRS8-14-19	SRS8-2-14-19	22.2	Natural UL94 V0 Nylon 6/6, RMS-19	1000
SRS4-16-19	SRS6-16-19	SRS8-16-19	SRS8-2-16-19	25.4	Natural UL94 V0 Nylon 6/6, RMS-19	1000

Stackable Self-Retaining Spacer

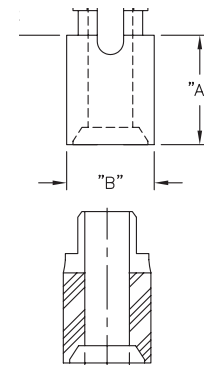
SSRS

Natural, UL94 V2 Nylon 6/6, RMS-01



Top Hole: Locking: See Table
Panel Thickness: 1.57

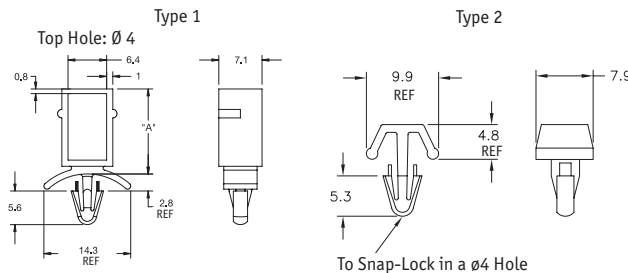
Part Number		"A" Standoff Height	Std Pack Qty
For M3 Screw	For M4 Screw		
"B" = 6.6 "C" = 3.3 Ø Hole = 4.75±0.08	"B" = 7.9 "C" = 3.9 Ø Hole = 5.94±0.08		
SSRS4-2-01	-	3.2	1000
SSRS4-3-01	-	4.8	1000
SSRS4-4-01	SSRS6-4-01	6.4	1000
SSRS4-5-01	SSRS6-5-01	7.9	1000
SSRS4-6-01	SSRS6-6-01	9.5	1000
SSRS4-7-01	SSRS6-7-01	11.1	1000
SSRS4-8-01	SSRS6-8-01	12.7	1000
SSRS4-10-01	SSRS6-10-01	15.9	1000
-	SSRS6-12-01	19.1	1000
-	SSRS6-14-01	22.2	1000
-	SSRS6-16-01	25.4	1000



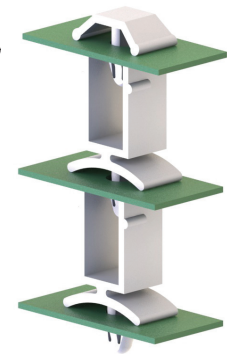
Circuit Board Stacking Spacer

CBSS

Natural



Bottom Hole: Snap-lock: 4 ± 0.08
Panel Thickness: 0.79 - 1.98



Spacer (Type 1)		Mounting Button (Type 2)		Std Pack Qty
Natural Nylon 6/6, RMS-01	"A" Standoff Height	Natural UL94 V2 Nylon 6/6, RMS-01	Total Holding Thickness	
CBSS-8-01	10.9	MB-1-156	0.8 - 2.4	1000
CBSS-10-01	14	MB-1-156	0.8 - 2.4	1000
CBSS-12-01	17.3	MB-1-156	0.8 - 2.4	1000
CBSS-14-01	20.3	MB-1-156	0.8 - 2.4	1000

Collar Space

CSP & CSR

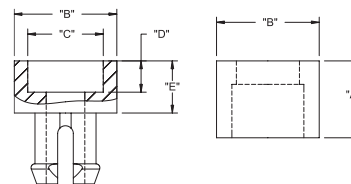
Natural UL94 V2 Nylon 6/6, RMS-01



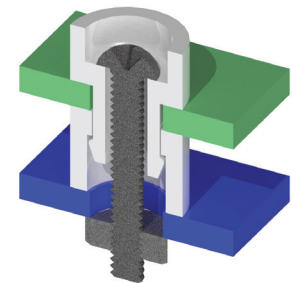
CSP (PIN)

CSR (RETAINER)

Top Hole: See Table
Panel Thickness: 2.36 Max.



Bottom Hole: See Table



Retainer

Part Number	"A"	"B"	Mating Pin (CSP) No.	Std Pack Qty
CSR4-224-01	5.7	7.5	CSP4-01	1000
CSR4-295-01	7.5	7.5	CSP4-01	1000
CSR4-394-01	10	7.5	CSP4-01	1000
CSR4-591-01	15	7.5	CSP4-01	1000
CSR4-787-01	20	7.5	CSP4-01	1000
CSR6-224-01	5.7	10	CSP6-01	1000
CSR6-295-01	7.5	10	CSP6-01	1000
CSR6-394-01	10	10	CSP6-01	1000
CSR6-591-01	15	10	CSP6-01	1000
CSR6-787-01	20	10	CSP6-01	1000
CSR8-224-01	5.7	11	CSP8-01	1000
CSR8-295-01	7.5	11	CSP8-01	1000
CSR8-394-01	10	11	CSP8-01	1000
CSR8-591-01	15	11	CSP8-01	1000
CSR8-787-01	20	11	CSP8-01	1000

Pin

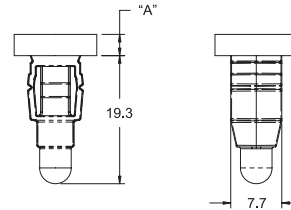
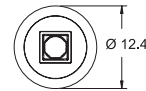
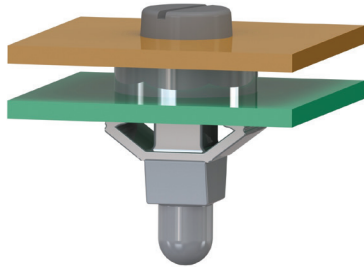
Part Number	"B"	"C" Dia.	"D" Ref.	"E" Ref.	Mounting Hole Dia. ±0.08	Binding Head Type Screw Size	Std Pack Qty
CSP4-01	7.5	-	-	2.5	5	M2.5	1000
CSP6-01	10	7.4	3	5.1	6.5	M3	1000
CSP8-01	11.1	8.4	3.6	5.6	6.9	M4	1000

SPECIALIST SPACERS

Toggle Fixer

TFR

Natural, UL94 V2 Nylon 6/6, RMS-01



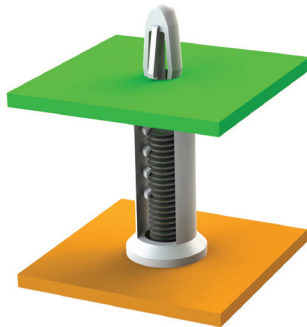
Part Number	"A"	Panel Thickness	Mounting Hole Ø	Std Pack Qty
TFR-1	0.8	1.5 - 2.8	8 ± 0.1 Square	1000
TFR-2	3.2	0.5 - 2.8	8 ± 0.1 Square	1000
TFR-3	4.8	0.5 - 2.8	8 ± 0.1 Square	1000

Accepts Metal Self-Tapping Screw Size 4.2 mm

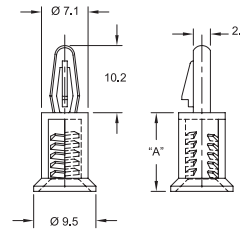
Stud Fitting Circuit Board Support

SFCBS

Natural, Nylon 6/6, RMS-01



Top Hole: Snap-lock: 4 ± 0.08
Panel Thickness: 1.57



Bottom Hole: To fit a metal
M4 screw or stud



Part Number	"A"	Stud Length	Std Pack Qty
SFCBS-M4-10M-01	10	8	1000
SFCBS-M4-12M-01	12	10	1000
SFCBS-M4-14M-01	14	12	1000
SFCBS-M4-16M-01	16	14	1000
SFCBS-M4-18M-01	18	16	1000
SFCBS-M4-20M-01	20	18	1000

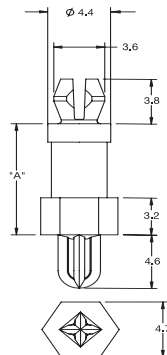
Mini Support Post Self-Threading

MSPMST

Clear, Nylon 6/6, RMS-01



Top Hole: Snap-fit: 3.18 ± 0.05
Panel Thickness: 1.57

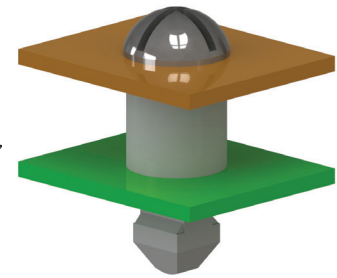
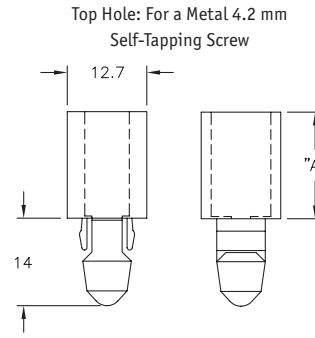


Part Number	"A" Standoff Height	Std Pack Qty
MSPMST-2-01	3.2	1000
MSPMST-3-01	4.8	1000
MSPMST-4-01	6.4	1000
MSPMST-5-01	7.9	1000
MSPMST-6-01	9.5	1000
MSPMST-7-01	11.1	1000
MSPMST-8-01	12.7	1000
MSPMST-9-01	14.3	1000
MSPMST-10-01	15.9	1000

Spacer Nut

SN

Clear, Polycarbonate, RMS-03



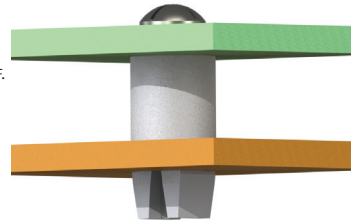
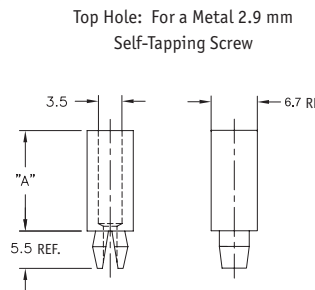
Top Hole: For a Metal 4.2 mm Self-Tapping Screw
Bottom Hole: 7.9 Square Hole
Panel Thickness: 1.57

Part Number	"A" ± 0.4	Std Pack Qty
SN-125	3.2	1000
SN-187	4.8	1000
SN-250	6.4	1000
SN-312	8	1000
SN-375	9.5	1000
SN-500	12.7	1000

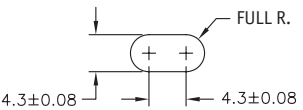
Spacer Nut

MSNE

Natural



Top Hole: For a Metal 2.9 mm Self-Tapping Screw
Bottom Hole: 4.3 ± 0.08 Square Hole. See also Optional Mounting Hole
Panel Thickness: 1.6

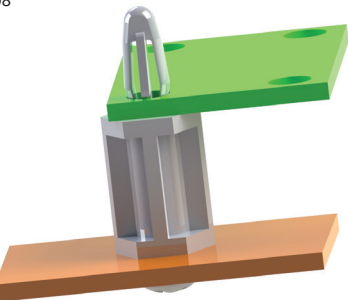
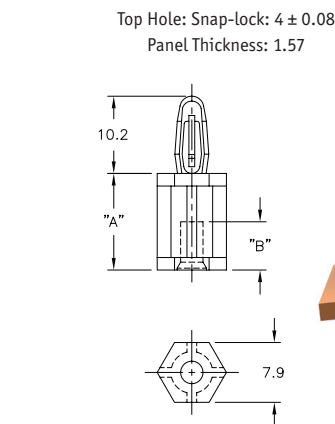


Nylon 6/6, RMS-01	UL94 V-0 Nylon 6/6, RMS-19	"A" Standoff Height	Std Pack Qty
MSNE-2-01	MSNE-2-19	3.2	1000
MSNE-4M-01	MSNE-4M-19	4	1000
MSNE-3-01	MSNE-3-19	4.8	1000
MSNE-6M-01	MSNE-6M-19	6	1000
MSNE-4-01	MSNE-4-19	6.4	1000
MSNE-5-01	MSNE-5-19	7.9	1000
MSNE-8M-01	MSNE-8M-19	8	1000
MSNE-6-01	MSNE-6-19	9.5	1000
MSNE-10M-01	MSNE-10M-19	10	1000
MSNE-12M-01	MSNE-12M-19	12	1000
MSNE-8-01	MSNE-8-19	12.7	1000
MSNE-10-01	MSNE-10-19	15.9	1000
MSNE-12-01	MSNE-12-19	19.1	1000
MSNE-16-01	MSNE-16-19	25.4	1000

Circuit Board Support Self-Tapping

TCBS

Natural



Top Hole: Snap-lock: 4 ± 0.08
Panel Thickness: 1.57
Bottom Hole: For Metal 3.5 mm Self-Tapping Screw

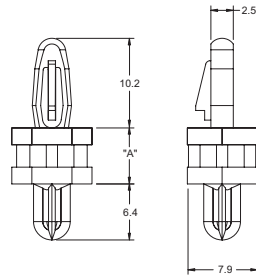
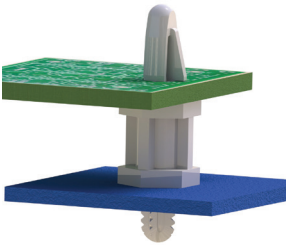
UL94 V2 Nylon 6/6, RMS-01	UL94 V0 Nylon 6/6, RMS-19	"A" Standoff Height	"B"	Std Pack Qty
TCBS-4-01	TCBS-4-19	6.4	5.2	1000
TCBS-6-01	TCBS-6-19	9.5	7.9	1000
TCBS-8-01	TCBS-8-19	12.7	7.9	1000
TCBS-10-01	TCBS-10-19	15.9	7.9	1000
TCBS-12-01	TCBS-12-19	19.1	7.9	1000
TCBS-14-01	TCBS-14-19	22.2	7.9	1000
TCBS-16-01	TCBS-16-19	25.4	7.9	1000
TCBS-18-01	TCBS-18-19	28.6	7.9	1000
TCBS-20-01	TCBS-20-19	31.7	7.9	1000
TCBS-22.5-01	TCBS-22.5-19	35.7	7.9	1000

THREADED/METAL SPACERS

Self Threading Circuit Board Support

SCBSST

Natural, UL94 V-2 Nylon 6/6, RMS-01



Part Number	"A" Standoff Height	Std Pack Qty
SCBSST-4-01	6.4	1000
SCBSST-6-01	9.5	1000
SCBSST-8-01	12.7	1000
SCBSST-10-01	15.9	1000
SCBSST-12-01	19.1	1000
SCBSST-14-01	22.2	1000
SCBSST-16-01	25.4	1000
SCBSST-18-01	28.6	1000
SCBSST-22.5-01	35.7	1000

Top Hole: Snap-Lock: 4
Panel Thickness: 1.6

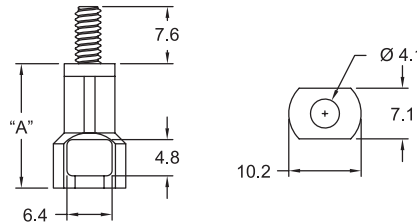
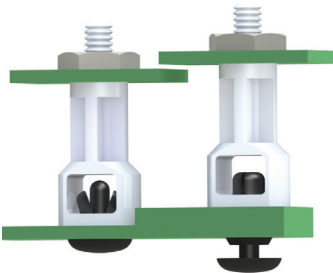
Bottom Hole: Self-Thread into a #8 or M4 Threaded Hole or Nut Panel Thickness: 1.6 Minimum Engagement



Snap Rivet Studded Circuit Board Support

SRSCBS

Natural



Bottom Hole: Snap Rivet: 4.1 - 4.2
Panel Thickness: See Rivet Table

Part Number				"A" Standoff Height	Std Pack Qty
Thread #6-32	Thread M3	Thread M4			
	Nylon 6/6, RMS-01	UL94 V0 Nylon 6/6, RMS-19			
SRSCBS-6-01	SRSCBS-M3-6-01	SRSCBS-M4-6-01	SRSCBS-M4-6-19	9.5	1000
SRSCBS-7-01	SRSCBS-M3-7-01	SRSCBS-M4-7-01	SRSCBS-M4-7-19	11.1	1000
SRSCBS-8-01	SRSCBS-M3-8-01	SRSCBS-M4-8-01	SRSCBS-M4-8-19	12.7	1000
SRSCBS-10-01	SRSCBS-M3-10-01	SRSCBS-M4-10-01	SRSCBS-M4-10-19	15.9	1000
SRSCBS-12-01	SRSCBS-M3-12-01	SRSCBS-M4-12-01	SRSCBS-M4-12-19	19.1	1000
SRSCBS-14-01	SRSCBS-M3-14-01	SRSCBS-M4-14-01	SRSCBS-M4-14-19	22.2	1000
SRSCBS-16-01	SRSCBS-M3-16-01	SRSCBS-M4-16-01	SRSCBS-M4-16-19	25.4	1000

Rivets

Use Rivet Part Number	For Panel Thickness
SR-4050	0.7-1.6
SR-4060	1.5-2.7
SR-4070	2.7-3.7
SR-4080	3.7-4.7
SR-4090	4.7-5.7
SR-4100	5.7-6.7
SR-4120	7.2-8.7



Locking Circuit Board Support Threaded Male

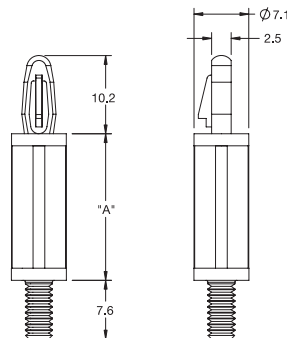
LCBS-TM

Natural

• M4 Thread



Top Hole: Snap-lock: 4
Panel Thickness: 1.57



Part Number		"A" Standoff Height	Std Pack Qty
Natural UL94 V2 Nylon 6/6, RMS-01	Natural UL94 V0 Nylon 6/6, RMS-19		
LCBS-TM-M4-4-01	LCBS-TM-M4-4-19	6.4	1000
LCBS-TM-M4-6-01	LCBS-TM-M4-6-19	9.5	1000
LCBS-TM-M4-8-01	LCBS-TM-M4-8-19	12.7	1000
LCBSTM-M4-10-01	LCBSTM-M4-10-19	15.9	1000
LCBSTM-M4-12-01	LCBSTM-M4-12-19	19.1	1000
LCBSTM-M4-14-01	LCBSTM-M4-14-19	22.2	1000
LCBSTM-M4-16-01	LCBSTM-M4-16-19	25.4	1000



Studded Circuit Board

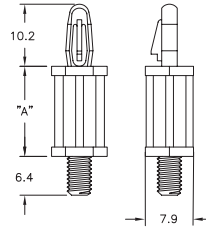
SCBS/SCBSM/SCBS/MSCBSM

Natural



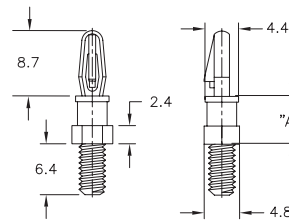
Top Hole: Snap-lock: 4 ± 0.08
Panel Thickness: 1.57

Type 1



Top Hole: Snap-lock: 3.18 ± 0.05
Panel Thickness: 1.57

Type 2



Part Number								"A" Standoff Height	Std Pack Qty
Thread: #6-32	Thread: #8-32	Thread: M3		Thread: M4					
SCBSM (Type 2)	SCBS (Type 1)	MSCBSM (Type 2)		MSCBS (Type 1)		MSCBSM (Type 2)			
UL94 V2 Nylon 6/6, RMS-01	UL94 V2 Nylon 6/6, RMS-01	UL94 V2 Nylon 6/6, RMS-01	UL94 V0 Nylon 6/6, RMS-19	UL94 V2 Nylon 6/6, RMS-01	UL94 V0 Nylon 6/6, RMS-19	UL94 V2 Nylon 6/6, RMS-01	UL94 V0 Nylon 6/6, RMS-01		
SCBSM-632-2-01	-	MSCBSM-M3-2-01	MSCBSM-M3-2-19	-	-	MSCBSM-M4-2-01	MSCBSM-M4-2-19	3.2	1000
SCBSM-632-3-01	-	MSCBSM-M3-3-01	MSCBSM-M3-3-19	-	-	MSCBSM-M4-3-01	MSCBSM-M4-3-19	4.8	1000
SCBSM-632-4-01	SCBS-4-01	MSCBSM-M3-4-01	MSCBSM-M3-4-19	MSCBS-4-01	MSCBS-4-19	MSCBSM-M4-4-01	MSCBSM-M4-4-19	6.4	1000
SCBSM-632-5-01	-	MSCBSM-M3-5-01	MSCBSM-M3-5-19	-	-	MSCBSM-M4-5-01	MSCBSM-M4-5-19	7.9	1000
SCBSM-632-6-01	SCBS-6-01	MSCBSM-M3-6-01	MSCBSM-M3-6-19	MSCBS-6-01	MSCBS-6-19	MSCBSM-M4-6-01	MSCBSM-M4-6-19	9.5	1000
SCBSM-632-7-01	-	MSCBSM-M3-7-01	MSCBSM-M3-7-19	-	-	MSCBSM-M4-7-01	MSCBSM-M4-7-19	11.1	1000
SCBSM-632-8-01	SCBS-8-01	MSCBSM-M3-8-01	MSCBSM-M3-8-19	MSCBS-8-01	MSCBS-8-19	MSCBSM-M4-8-01	MSCBSM-M4-8-19	12.7	1000
SCBSM-632-9-01	-	MSCBSM-M3-9-01	MSCBSM-M3-9-19	-	-	MSCBSM-M4-9-01	MSCBSM-M4-9-19	14.3	1000
SCBSM-632-10-01	SCBS-10-01	MSCBSM-M3-10-01	MSCBSM-M3-10-19	MSCBS-10-01	MSCBS-10-19	MSCBSM-M4-10-01	MSCBSM-M4-10-19	15.9	1000
-	SCBS-12-01	-	-	MSCBS-12-01	MSCBS-12-19	-	-	19.1	1000
-	SCBS-14-01	-	-	MSCBS-14-01	MSCBS-14-19	-	-	22.2	1000
-	SCBS-16-01	-	-	MSCBS-16-01	MSCBS-16-19	-	-	25.4	1000
-	SCBS-18-01	-	-	MSCBS-18-01	MSCBS-18-19	-	-	28.6	1000
-	SCBS-22.5-01	-	-	MSCBS-22.5-01	MSCBS-22.5-19	-	-	35.7	1000

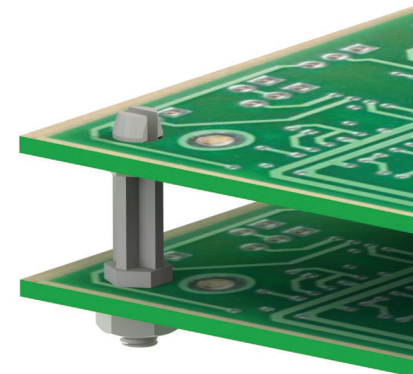
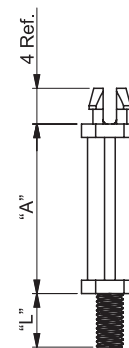
Studded Circuit Board

TCBNS

Black, UL94 V2 Nylon 6/6, RMS-172



Top Hole: See Table
Panel Thickness: 1.6



Part Number			"A" Standoff Height	Std Pack Qty
Top Hole: \emptyset 3 Thread: M2.5 "L" Thread Length: 6	Top Hole: \emptyset 3 Thread: M3 "L" Thread Length: 6	Top Hole: \emptyset 3.8 Thread: M4 "L" Thread Length: 8		
TCBNS-M2.5-3	TCBNS-M3-3	TCBNS-M4-3	3	1000
TCBNS-M2.5-5	TCBNS-M3-5	TCBNS-M4-5	5	1000
TCBNS-M2.5-6	TCBNS-M3-6	TCBNS-M4-6	6	1000
TCBNS-M2.5-8	TCBNS-M3-8	TCBNS-M4-8	8	1000
TCBNS-M2.5-10	TCBNS-M3-10	TCBNS-M4-10	10	1000
TCBNS-M2.5-12	TCBNS-M3-12	TCBNS-M4-12	12	1000
TCBNS-M2.5-15	TCBNS-M3-15	TCBNS-M4-15	15	1000
TCBNS-M2.5-20	TCBNS-M3-20	TCBNS-M4-20	20	1000

SPLIT PACKS AVAILABLE

email | sales@mossexpress.co.uk

web | www.mossexpress.co.uk

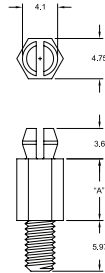
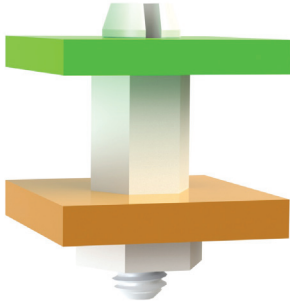
THREADED/METAL SPACERS



Hex Mini Support Post Threaded Male

HMSP-TM

Natural, UL94 V2 Nylon 6/6, RMS-01



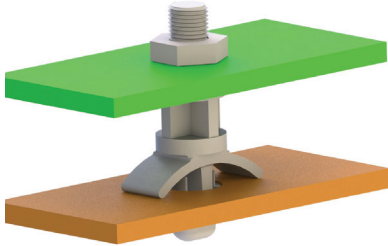
Top Hole: Snap-fit: 3.86 ± 0.05
Panel Thickness: 1.57

Part Number			"A" Standoff Height	Std Pack Qty
Thread: #6-32	Thread: M3	Thread: M4		
HMSP-TM-2-01	HMSP-TM-M3-2-01	HMSP-TM-M4-2-01	3.2	1000
HMSP-TM-3-01	HMSP-TM-M3-3-01	HMSP-TM-M4-3-01	4.8	1000
HMSP-TM-4-01	HMSP-TM-M3-4-01	HMSP-TM-M4-4-01	6.4	1000
HMSP-TM-6-01	HMSP-TM-M3-6-01	HMSP-TM-M4-6-01	9.5	1000
HMSP-TM-8-01	HMSP-TM-M3-8-01	HMSP-TM-M4-8-01	12.7	1000
HMSP-TM-10-01	HMSP-M3-10-01	HMSP-M4-10-01	15.9	1000
HMSP-TM-12-01	HMSP-M3-12-01	HMSP-M4-12-01	19.1	1000
HMSP-TM-14-01	HMSP-M3-14-01	HMSP-M4-14-01	22.2	1000

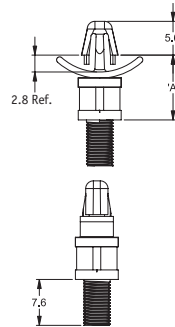
Threaded Circuit Board Support

LCCBS-TM

Natural, UL94 V2 Nylon 6/6, RMS-01



Top Hole: Snap-lock: $\varnothing 4.75 \pm 0.08$
Panel Thickness: 1.57



Bottom Hole: See table

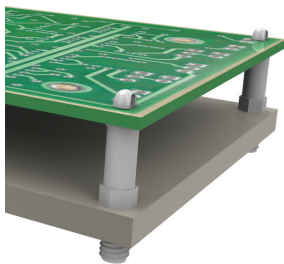
Part Number		"A" Standoff Height	Std Pack Qty
#6-32 Thread	M4 Thread		
LCCBS-TM-6-01	LCCBSM-M4-6-01	10.7	1000
LCCBS-TM-8-01	LCCBSM-M4-8-01	13.9	1000
LCCBS-TM-10-01	LCCBSM-M4-10-01	17.1	1000
LCCBS-TM-12-01	LCCBSM-M4-12-01	20.2	1000
LCCBS-TM-14-01	LCCBSM-M4-14-01	23.4	1000
LCCBS-TM-16-01	LCCBSM-M4-16-01	26.6	1000



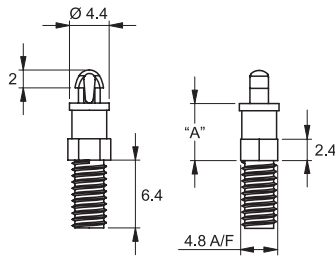
Miniature Threaded Circuit Board Support

MSCBST

Natural, UL94 V2 Nylon 6/6, RMS-01



Top Hole: $\varnothing 2.5 \pm 0.05$
Panel Thickness: 1.6 ± 0.2



Bottom Hole: see table

Part Number		"A" Standoff Height	Std Pack Qty
M3 Thread	M4 Thread		
MSCBST-M3-2-01	MSCBST-M4-2-01	3.2	1000
MSCBST-M3-3-01	MSCBST-M4-3-01	4.8	1000
MSCBST-M3-4-01	MSCBST-M4-4-01	6.4	1000
MSCBST-M3-5-01	MSCBST-M4-5-01	7.9	1000
MSCBST-M3-6-01	MSCBST-M4-6-01	9.5	1000
MSCBST-M3-7-01	MSCBST-M4-7-01	11.1	1000
MSCBST-M3-8-01	MSCBST-M4-8-01	12.7	1000
MSCBST-M3-9-01	MSCBST-M4-9-01	14.3	1000
MSCBST-M3-10-01	MSCBST-M4-10-01	15.9	1000



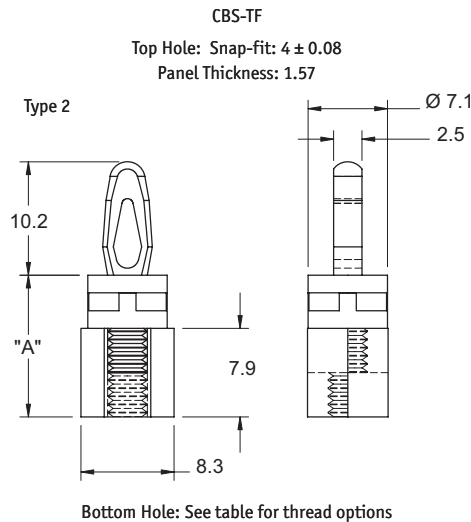
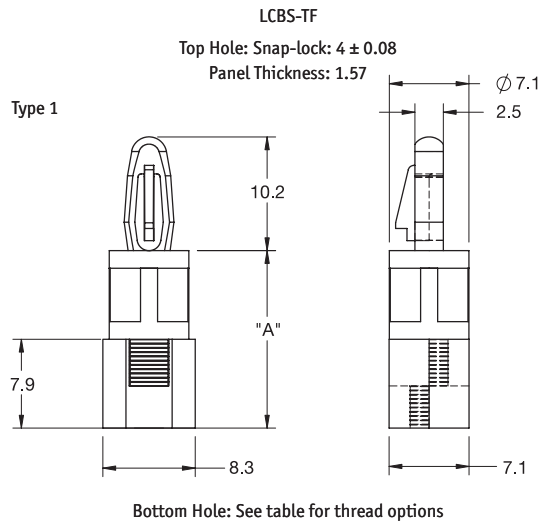
Threaded Circuit Board Support

LCBS-TF/CBS-TF

Natural



Part Number						"A" Standoff Height	Std Pack Qty
Fig. 1			Fig. 2				
Nylon 6/6, RMS-01	Nylon 6/6 RMS-01	UL94 V0 Nylon 6/6, RMS-19	Nylon 6/6, RMS-01	Nylon 6/6, RMS-01	UL94 V0 Nylon 6/6, RMS-19		
Thread: #6-32	Thread: M4		Thread: #6-32	Thread: M4			
LCBS-TF-6-01	LCBS-TF-M4-6-01	LCBS-TF-M4-6-19	CBS-TF-6-01	CBS-TF-M4-6-01	CBS-TF-M4-6-19	9.5	1000
LCBS-TF-8-01	LCBS-TF-M4-8-01	LCBS-TF-M4-8-19	CBS-TF-8-01	CBS-TF-M4-8-01	CBS-TF-M4-8-19	12.7	1000
LCBS-TF-10-01	LCBSTF-M4-10-01	LCBSTF-M4-10-19	CBS-TF-10-01	CBS-TF-M4-10-01	CBS-TF-M4-10-19	15.9	1000
LCBS-TF-12-01	LCBSTF-M4-12-01	LCBSTF-M4-12-19	CBS-TF-12-01	CBS-TF-M4-12-01	CBS-TF-M4-12-19	19.1	1000
LCBS-TF-14-01	LCBSTF-M4-14-01	LCBSTF-M4-14-19	CBS-TF-14-01	CBS-TF-M4-14-01	CBS-TF-M4-14-19	22.2	1000
LCBS-TF-16-01	LCBSTF-M4-16-01	LCBSTF-M4-16-19	CBS-TF-16-01	CBS-TF-M4-16-01	CBS-TF-M4-16-19	25.4	1000



Metric Threaded Circuit Board Support

TCBN

Black, UL94 HB Nylon 6/6, RMS-172

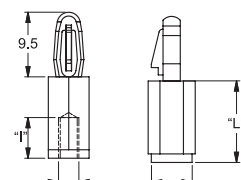
Can't find the size you are looking for? Contact us!



M3 Thread				M4 Thread		"L"	"I"	Std Pack Qty
Panel Thickness = 1.6MM		Panel Thickness = 2MM		Panel Thickness = 1.6MM	Panel Thickness = 2MM			
"H" = 6MM	"H" = 8MM	"H" = 6MM	"H" = 8MM	"H" = 6MM	"H" = 8MM			
TCBN-T1-M3-6-5	TCBN-T1-M3-8-5	TCBN-T2-M3-6-5	TCBN-T2-M3-8-5	TCBN-T1-M4-8-5	TCBN-T2-M4-8-5	5	3	500
TCBN-T1-M3-6-6	TCBN-T1-M3-8-6	TCBN-T2-M3-6-6	TCBN-T2-M3-8-6	TCBN-T1-M4-8-6	TCBN-T2-M4-8-6	6	4	500
TCBN-T1-M3-6-7	TCBN-T1-M3-8-7	TCBN-T2-M3-6-7	TCBN-T2-M3-8-7	TCBN-T1-M4-8-7	TCBN-T2-M4-8-7	7	5	500
TCBN-T1-M3-6-8	TCBN-T1-M3-8-8	TCBN-T2-M3-6-8	TCBN-T2-M3-8-8	TCBN-T1-M4-8-8	TCBN-T2-M4-8-8	8	6	500
TCBN-T1-M3-6-9	TCBN-T1-M3-8-9	TCBN-T2-M3-6-9	TCBN-T2-M3-8-9	TCBN-T1-M4-8-9	TCBN-T2-M4-8-9	9	7	500
TCBN-T1-M3-6-10	TCBN-T1-M3-8-10	TCBN-T2-M3-6-10	TCBN-T2-M3-8-10	TCBN-T1-M4-8-10	TCBN-T2-M4-8-10	10	8	500
TCBN-T1-M3-6-12	TCBN-T1-M3-8-12	TCBN-T2-M3-6-12	TCBN-T2-M3-8-12	TCBN-T1-M4-8-12	TCBN-T2-M4-8-12	12	10	500
TCBN-T1-M3-6-15	TCBN-T1-M3-8-15	TCBN-T2-M3-6-15	TCBN-T2-M3-8-15	TCBN-T1-M4-8-15	TCBN-T2-M4-8-15	15	10	500
TCBN-T1-M3-6-18	TCBN-T1-M3-8-18	TCBN-T2-M3-6-18	TCBN-T2-M3-8-18	TCBN-T1-M4-8-18	TCBN-T2-M4-8-18	18	10	500
TCBN-T1-M3-6-20	TCBN-T1-M3-8-20	TCBN-T2-M3-6-20	TCBN-T2-M3-8-20	TCBN-T1-M4-8-20	TCBN-T2-M4-8-20	20	10	500
TCBN-T1-M3-6-25	TCBN-T1-M3-8-25	TCBN-T2-M3-6-25	TCBN-T2-M3-8-25	TCBN-T1-M4-8-25	TCBN-T2-M4-8-25	25	10	500
TCBN-T1-M3-6-30	TCBN-T1-M3-8-30	TCBN-T2-M3-6-30	TCBN-T2-M3-8-30	TCBN-T1-M4-8-30	TCBN-T2-M4-8-30	30	10	500
TCBN-T1-M3-6-40	TCBN-T1-M3-8-40	TCBN-T2-M3-6-40	TCBN-T2-M3-8-40	TCBN-T1-M4-8-40	TCBN-T2-M4-8-40	40	10	500
TCBN-T1-M3-6-45	TCBN-T1-M3-8-45	TCBN-T2-M3-6-45	TCBN-T2-M3-8-45	TCBN-T1-M4-8-45	TCBN-T2-M4-8-45	45	10	500
TCBN-T1-M3-6-50	TCBN-T1-M3-8-50	TCBN-T2-M3-6-50	TCBN-T2-M3-8-50	TCBN-T1-M4-8-50	TCBN-T2-M4-8-50	50	10	500
TCBN-T1-M3-6-55	TCBN-T1-M3-8-55	TCBN-T2-M3-6-55	TCBN-T2-M3-8-55	TCBN-T1-M4-8-55	TCBN-T2-M4-8-55	55	10	500
TCBN-T1-M3-6-60	TCBN-T1-M3-8-60	TCBN-T2-M3-6-60	TCBN-T2-M3-8-60	TCBN-T1-M4-8-60	TCBN-T2-M4-8-60	60	10	500



Top Hole: Snap-lock: 4 ± 0.08
Panel Thickness: See Table for Dim.



SPLIT PACKS AVAILABLE

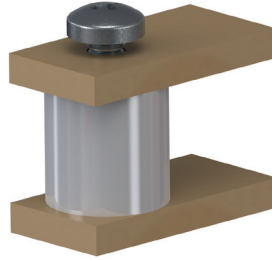
email | sales@mossexpress.co.uk web | www.mossexpress.co.uk

THREADED/METAL SPACERS

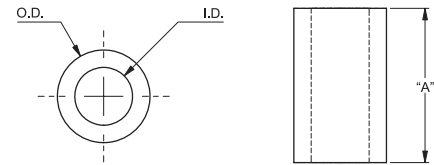
Round Plastic Spacer

SS/SSE

Light Grey, UL94 VO PVC, RMS-204



Can't find the size you are looking for? Contact us!

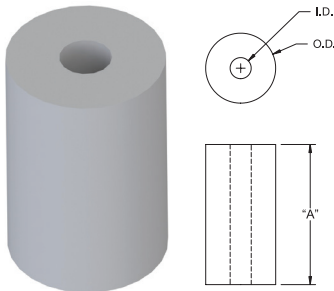


"A" Standoff Height	Part Number										Std Pack Qty
	For M2.5 Screw	For M3 Screw	For M4 Screw	For M4 Screw	For M5 Screw	For M6 Screw	For M9 Screw	-	-	-	
3.2	SS4-3.2MM I.D.= 3 O.D.= 6.4	SS6-3.2MM I.D.= 3.7 O.D.= 6.4	SS8-3.2MM I.D.= 4.4 O.D.= 6.4	SS8-3.2MML I.D.= 4.4 O.D.= 9.5	SS10-3.2MM I.D.= 5.1 O.D.= 9.5	SS1/4-3.2MM I.D.= 6.8 O.D.= 12.7	SS3/8-3.2MM I.D.= 10.1 O.D.= 12.7	SSE-75120-3.2MM I.D.= 7.5 O.D.= 12	SSE-80120-3.2MM I.D.= 8 O.D.= 12		1000
4.8	SS4-4.8MM	SS6-4.8MM	SS8-4.8MM	SS8-4.8MML	SS10-4.8MM	SS1/4-4.8MM	SS3/8-4.8MM	SSE-75120-4.8MM	SSE-80120-4.8MM		1000
6.4	SS4-2	SS6-2	SS8-2	SS8-2L	SS10-2	SS1/4-2	SS3/8-2	SSE-75120-2	SSE-80120-2		1000
7.9	SS4-7.9MM	SS6-7.9MM	SS8-7.9MM	SS8-7.9MML	SS10-7.9MM	SS1/4-7.9MM	SS3/8-7.9MM	SSE-75120-7.9MM	SSE-80120-7.9MM		1000
9.5	SS4-3	SS6-3	SS8-3	SS8-3L	SS10-3	SS1/4-3	SS3/8-3	SSE-75120-3	SSE-80120-3		1000
11.1	SS4-11.1MM	SS6-11.1MM	SS8-11.1MM	SS8-11.1MML	SS10-11.1MM	SS1/4-11.1MM	SS3/8-11.1MM	SSE75120-11.1MM	SSE80120-11.1MM		1000
12.7	SS4-4	SS6-4	SS8-4	SS8-4L	SS10-4	SS1/4-4	SS3/8-4	SSE-75120-4	SSE-80120-4		1000
15.9	SS4-5	SS6-5	SS8-5	SS8-5L	SS10-5	SS1/4-5	SS3/8-5	SSE-75120-5	SSE-80120-5		1000
19.1	SS4-6	SS6-6	SS8-6	SS8-6L	SS10-6	SS1/4-6	SS3/8-6	SSE-75120-6	SSE-80120-6		1000
25.4	SS4-8	SS6-8	SS8-8	SS8-8L	SS10-8	SS1/4-8	SS3/8-8	SSE-75120-8	SSE-80120-8		1000
31.8	SS4-10	SS6-10	SS8-10	SS8-10L	SS10-10	SS1/4-10	SS3/8-10	SSE-75120-10	SSE-80120-10		500
38.1	SS4-12	SS6-12	SS8-12	SS8-12L	SS10-12	SS1/4-12	SS3/8-12	SSE-75120-12	SSE-80120-12		500

Round Plastic Spacer

R900

White, Modified Nylon 6, RMS-60



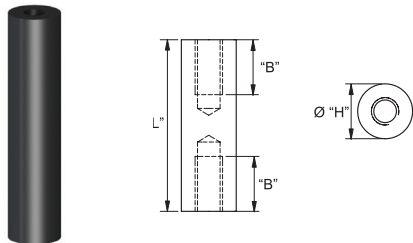
Part Number									Dimensions (mm)			Std Pack Qty
"A" = 1.6	"A" = 3.2	"A" = 4.8	"A" = 6.4	"A" = 7.9	"A" = 9.5	"A" = 11.1	"A" = 12.7	For Screw	I.D.	O.D.		
R901-1	R901-2	R901-3	R901-4	R901-5	R901-6	R901-7	R901-8	-	0.7	2.2	1000	
R938-1	R938-2	R938-3	R938-4	R938-5	R938-6	R938-7	R938-8	-	0.8		1000	
R902-1	R902-2	R902-3	R902-4	R902-5	R902-6	R902-7	R902-8	-	0.8	3.2	1000	
R939-1	R939-2	R939-3	R939-4	R939-5	R939-6	R939-7	R939-8	-	1.2		1000	
R903-1	R903-2	R903-3	R903-4	R903-5	R903-6	R903-7	R903-8	-	1.2	4	1000	
R904-1	R904-2	R904-3	R904-4	R904-5	R904-6	R904-7	R904-8	-	1.6	4.8	1000	
R906-1	R906-2	R906-3	R906-4	R906-5	R906-6	R906-7	R906-8	M2	2.2	3.6	1000	
R937-1	R937-2	R937-3	R937-4	R937-5	R937-6	R937-7	R937-8	M2	2.3	3.2	1000	
R913-1	R913-2	R913-3	R913-4	R913-5	R913-6	R913-7	R913-8	M2	2.3	4.8	1000	
R910-1	R910-2	R910-3	R910-4	R910-5	R910-6	R910-7	R910-8	M2	2.3	6.4	1000	
R907-1	R907-2	R907-3	R907-4	R907-5	R907-6	R907-7	R907-8	M2.5	2.7	4.2	1000	
R908-1	R908-2	R908-3	R908-4	R908-5	R908-6	R908-7	R908-8	M3	3.2	4.8	1000	
R911-1	R911-2	R911-3	R911-4	R911-5	R911-6	R911-7	R911-8	M3	3.2	6.4	1000	
R905-1	R905-2	R905-3	R905-4	R905-5	R905-6	R905-7	R905-8	M3.5	3.7	6.4	1000	
R912-1	R912-2	R912-3	R912-4	R912-5	R912-6	R912-7	R912-8	M4	4.3	6.4	1000	

Round Threaded Standoff

RTSN

Black, Nylon 6 25% Glass Filled, RMS-173

Can't find the size you are looking for? Contact us!



Part Number			Dimensions (mm)		Std Pack Qty
Thread M3		Thread M4	"L"	"B"	
"H" = 6	"H" = 7	"H" = 7	"L"	"B"	
RTSN-M3-5-6-1	RTSN-M3-5-7-1	RTSN-M4-5-7-1	5	Through	500
RTSN-M3-8-6-1	RTSN-M3-8-7-1	RTSN-M4-8-7-1	8	Through	500
RTSN-M3-10-6-1	RTSN-M3-10-7-1	RTSN-M4-10-7-1	10	Through	500
RTSN-M3-12-6-1	RTSN-M3-12-7-1	RTSN-M4-12-7-1	12	Through	500
RTSN-M3-15-6-1	RTSN-M3-15-7-1	RTSN-M4-15-7-1	15	Through	500
RTSN-M3-18-6-1	RTSN-M3-18-7-1	RTSN-M4-18-7-1	18	10 Min	500
RTSN-M3-20-6-1	RTSN-M3-20-7-1	RTSN-M4-20-7-1	20	10 Min	500
RTSN-M3-25-6-1	RTSN-M3-25-7-1	RTSN-M4-25-7-1	25	10 Min	500
RTSN-M3-30-6-1	RTSN-M3-30-7-1	RTSN-M4-30-7-1	30	10 Min	500
RTSN-M3-35-6-1	RTSN-M3-35-7-1	RTSN-M4-35-7-1	35	10 Min	500
RTSN-M3-40-6-1	RTSN-M3-40-7-1	RTSN-M4-40-7-1	40	10 Min	500

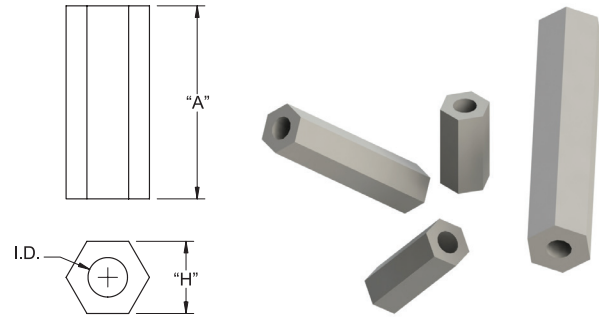
Hex Plastic Spacers

HS

Light Gray, UL94 VO PVC, RMS-448



Part Number			"A" Standoff Height	Std Pack Qty
For #4 Self Tapping Screw	For #6 Self Tapping Screw	For #8 Self Tapping Screw		
"I.D." = 2.6 "H" = 4.8	"I.D." = 2.8 "H" = 6.4	"I.D." = 3.6 "H" = 9.5		
HS-4-3	HS-6-3	-	9.5	1000
HS-4-4	HS-6-4	HS-8-4	12.7	1000
HS-4-5	HS-6-5	HS-8-5	15.9	1000
HS-4-6	HS-6-6	HS-8-6	19.1	1000
HS-4-7	HS-6-7	HS-8-7	22.2	1000
HS-4-8	HS-6-8	HS-8-8	25.4	1000
HS-4-10	HS-6-10	HS-8-10	31.8	500
HS-4-12	HS-6-12	HS-8-12	38.1	500
HS-4-14	HS-6-14	HS-8-14	44.5	500
HS-4-16	HS-6-16	HS-8-16	50.8	500
HS-4-24	HS-6-24	HS-8-24	76.2	500

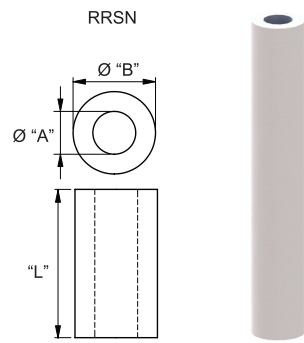


Round Plastic Spacers

RRSN

White, Polystyrene, RMS-163

Black, UL94 HB Nylon 6 25% Glass Filled RMS-173



Can't find the size you are looking for? Contact us!

Part Number (White)								Dimensions (mm)	Std Pack Qty
A = 2.7 B = 5	A = 3.2 B = 6	A = 3.5 B = 6	A = 4.2 B = 8	A = 4.5 B = 7	A = 5.2 B = 10	A = 6.2 B = 10	A = 8.2 B = 10		
RRSN-2750-02	RRSN-3260-02	RRSN-3460-02	RRSN-4280-02	RRSN-4570-02	RRSN-52100-02	RRSN-62100-02	RRSN-82100-02	2	500
RRSN-2750-03	RRSN-3260-03	RRSN-3460-03	RRSN-4280-03	RRSN-4570-03	RRSN-52100-03	RRSN-62100-03	RRSN-82100-03	3	500
RRSN-2750-05	RRSN-3260-05	RRSN-3460-05	RRSN-4280-05	RRSN-4570-05	RRSN-52100-05	RRSN-62100-05	RRSN-82100-05	5	500
RRSN-2750-08	RRSN-3260-08	RRSN-3460-08	RRSN-4280-08	RRSN-4570-08	RRSN-52100-08	RRSN-62100-08	RRSN-82100-08	8	500
RRSN-2750-10	RRSN-3260-10	RRSN-3460-10	RRSN-4280-10	RRSN-4570-10	RRSN-52100-10	RRSN-62100-10	RRSN-82100-10	10	500
RRSN-2750-12	RRSN-3260-12	RRSN-3460-12	RRSN-4280-12	RRSN-4570-12	RRSN-52100-12	RRSN-62100-12	RRSN-82100-12	12	500
RRSN-2750-15	RRSN-3260-15	RRSN-3460-15	RRSN-4280-15	RRSN-4570-15	RRSN-52100-15	RRSN-62100-15	RRSN-82100-15	15	500
RRSN-2750-18	RRSN-3260-18	RRSN-3460-18	RRSN-4280-18	RRSN-4570-18	RRSN-52100-18	RRSN-62100-18	RRSN-82100-18	18	500
-	RRSN-3260-20	RRSN-3460-20	RRSN-4280-20	RRSN-4570-20	RRSN-52100-20	RRSN-62100-20	RRSN-82100-20	20	500
-	RRSN-3260-25	RRSN-3460-25	RRSN-4280-25	RRSN-4570-25	RRSN-52100-25	RRSN-62100-25	RRSN-82100-25	25	500
-	RRSN-3260-30	RRSN-3460-30	RRSN-4280-30	RRSN-4570-30	RRSN-52100-30	RRSN-62100-30	RRSN-82100-30	30	500
-	-	-	RRSN-4280-35	RRSN-4570-35	RRSN-52100-35	RRSN-62100-35	RRSN-82100-35	35	500
-	-	-	-	-	-	RRSN-62100-40	RRSN-82100-40	40	500

Part Number (Black)								Dimensions (mm)	Std Pack Qty
A = 2.7 B = 5	A = 3.2 B = 6	A = 3.5 B = 6	A = 4.2 B = 8	A = 4.5 B = 7	A = 5.2 B = 10	A = 6.2 B = 10	A = 8.2 B = 10		
RRSN-2750-02-GF	RRSN-3260-02-GF	RRSN-3460-02-GF	RRSN-4280-02-GF	RRSN-4570-02-GF	RRSN-52100-02GF	RRSN-62100-02GF	RRSN-82100-02GF	2	500
RRSN-2750-03-GF	RRSN-3260-03-GF	RRSN-3460-03-GF	RRSN-4280-03-GF	RRSN-4570-03-GF	RRSN-52100-03GF	RRSN-62100-03GF	RRSN-82100-03GF	3	500
RRSN-2750-05-GF	RRSN-3260-05-GF	RRSN-3460-05-GF	RRSN-4280-05-GF	RRSN-4570-05-GF	RRSN-52100-05GF	RRSN-62100-05GF	RRSN-82100-05GF	5	500
RRSN-2750-08-GF	RRSN-3260-08-GF	RRSN-3460-08-GF	RRSN-4280-08-GF	RRSN-4570-08-GF	RRSN-52100-08GF	RRSN-62100-08GF	RRSN-82100-08GF	8	500
RRSN-2750-10-GF	RRSN-3260-10-GF	RRSN-3460-10-GF	RRSN-4280-10-GF	RRSN-4570-10-GF	RRSN-52100-10GF	RRSN-62100-10GF	RRSN-82100-10GF	10	500
RRSN-2750-12-GF	RRSN-3260-12-GF	RRSN-3460-12-GF	RRSN-4280-12-GF	RRSN-4570-12-GF	RRSN-52100-12GF	RRSN-62100-12GF	RRSN-82100-12GF	12	500
RRSN-2750-15-GF	RRSN-3260-15-GF	RRSN-3460-15-GF	RRSN-4280-15-GF	RRSN-4570-15-GF	RRSN-52100-15GF	RRSN-62100-15GF	RRSN-82100-15GF	15	500
RRSN-2750-18-GF	RRSN-3260-18-GF	RRSN-3460-18-GF	RRSN-4280-18-GF	RRSN-4570-18-GF	RRSN-52100-18GF	RRSN-62100-18GF	RRSN-82100-18GF	18	500
-	RRSN-3260-20-GF	RRSN-3460-20-GF	RRSN-4280-20-GF	RRSN-4570-20-GF	RRSN-52100-20GF	RRSN-62100-20GF	RRSN-82100-20GF	20	500
-	RRSN-3260-25-GF	RRSN-3460-25-GF	RRSN-4280-25-GF	RRSN-4570-25-GF	RRSN-52100-25GF	RRSN-62100-25GF	RRSN-82100-25GF	25	500
-	RRSN-3260-30-GF	RRSN-3460-30-GF	RRSN-4280-30-GF	RRSN-4570-30-GF	RRSN-52100-30GF	RRSN-62100-30GF	RRSN-82100-30GF	30	500
-	-	-	RRSN-4280-35-GF	RRSN-4570-35-GF	RRSN-52100-35GF	RRSN-62100-35GF	RRSN-82100-35GF	35	500
-	-	-	-	-	-	RRSN-62100-40GF	RRSN-82100-40GF	40	500

SPLIT PACKS AVAILABLE

email | sales@mossexpress.co.uk web | www.mossexpress.co.uk

153

THREADED/METAL SPACERS

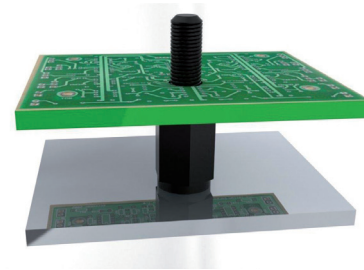
Hex Threaded Standoff

HTSN-2\HNSM-2\HTSN-3

Black, Nylon 6/6, RMS-172



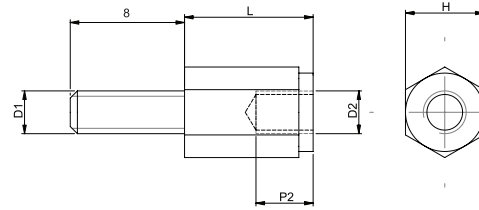
Can't find the size you are looking for? Contact us!



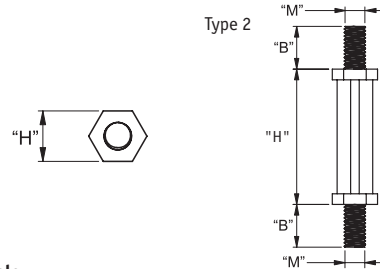
Type 1 Female/Male

Part Number	Thread	Dimensions (mm)			Std Pack Qty
		"L"	"H"	"P2"	
HNSM2.5-5-5-2	M2.5	5	5	3	500
HNSM2.5-8-5-2	M2.5	8	5	5	500
HNSM2.5-10-5-2	M2.5	10	5	8	500
HNSM2.5-12-5-2	M2.5	12	5	9	500
HNSM2.5-15-5-2	M2.5	15	5	10	500
HNSM2.5-18-5-2	M2.5	18	5	10	500
HNSM2.5-20-5-2	M2.5	20	5	10	500
HNSM2.5-25-5-2	M2.5	25	5	10	500
HTSN-M3-5-5-5-2	M3	5	5.5	3	500
HTSN-M3-8-5-5-2	M3	8	5.5	5	500
HNSM3-10-5-5-2	M3	10	5.5	8	500
HNSM3-12-5-5-2	M3	12	5.5	9	500
HNSM3-15-5-5-2	M3	15	5.5	10	500
HNSM3-18-5-5-2	M3	18	5.5	10	500
HNSM3-20-5-5-2	M3	20	5.5	10	500
HNSM3-25-5-5-2	M3	25	5.5	10	500
HNSM3-30-5-5-2	M3	30	5.5	10	500
HNSM3-35-5-5-2	M3	35	5.5	10	500
HTSN-M3-5-6-2	M3	5	6	3	500
HTSN-M3-8-6-2	M3	8	6	5	500
HTSN-M3-10-6-2	M3	10	6	8	500
HTSN-M3-12-6-2	M3	12	6	9	500
HTSN-M3-15-6-2	M3	15	6	10	500
HTSN-M3-18-6-2	M3	18	6	10	500
HTSN-M3-20-6-2	M3	20	6	10	500
HTSN-M3-25-6-2	M3	25	6	10	500
HTSN-M3-30-6-2	M3	30	6	10	500
HTSN-M3-35-6-2	M3	35	6	10	500
HTSN-M3-5-8-2	M3	5	8	3	500
HTSN-M3-8-8-2	M3	8	8	5	500
HTSN-M3-10-8-2	M3	10	8	8	500
HTSN-M3-12-8-2	M3	12	8	9	500
HTSN-M3-15-8-2	M3	15	8	10	500
HTSN-M3-18-8-2	M3	18	8	10	500
HTSN-M3-20-8-2	M3	20	8	10	500
HTSN-M3-25-8-2	M3	25	8	10	500
HTSN-M3-30-8-2	M3	30	8	10	500
HTSN-M3-35-8-2	M3	35	8	10	500
HTSN-M4-5-8-2	M4	5	8	3	500
HTSN-M4-8-8-2	M4	8	8	5	500
HTSN-M4-10-8-2	M4	10	8	8	500
HTSN-M4-12-8-2	M4	12	8	9	500
HTSN-M4-15-8-2	M4	15	8	10	500
HTSN-M4-18-8-2	M4	18	8	10	500
HTSN-M4-20-8-2	M4	20	8	10	500
HTSN-M4-25-8-2	M4	25	8	10	500
HTSN-M4-30-8-2	M4	30	8	10	500
HTSN-M4-35-8-2	M4	35	8	10	500
HTSN-M4-40-8-2	M4	40	8	10	500
HTSN-M5-10-10-2	M5	10	10	8	500
HTSN-M5-12-10-2	M5	12	10	9	500
HTSN-M5-15-10-2	M5	15	10	10	500
HTSN-M5-18-10-2	M5	18	10	10	500
HTSN-M5-20-10-2	M5	20	10	10	500
HTSN-M5-25-10-2	M5	25	10	10	500
HTSN-M5-30-10-2	M5	30	10	10	500
HTSN-M5-35-10-2	M5	35	10	10	500
HTSN-M5-40-10-2	M5	40	10	10	500

Type 1



Type 2



Type 2 Male/Male

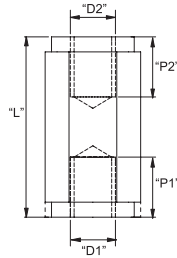
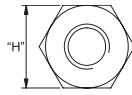
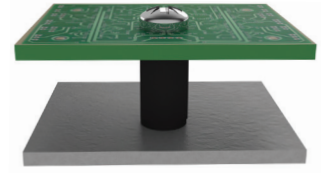
Part Number	Thread	Dimensions (mm)			Std Pack Qty
		"L"	"H"	"B"	
HTSN-M2.5-5-3	M2.5	5	5	6	500
HTSN-M2.5-8-3	M2.5	8	5	6	500
HTSN-M2.5-10-3	M2.5	10	5	6	500
HTSN-M2.5-12-3	M2.5	12	5	6	500
HTSN-M2.5-15-3	M2.5	15	5	6	500
HTSN-M2.5-18-3	M2.5	18	5	6	500
HTSN-M2.5-20-3	M2.5	20	5	6	500
HTSN-M2.5-25-3	M2.5	25	5	6	500
HTSN-M3-5-3	M3	5	6	6	500
HTSN-M3-8-3	M3	8	6	6	500
HTSN-M3-10-3	M3	10	6	6	500
HTSN-M3-12-3	M3	12	6	6	500
HTSN-M3-15-3	M3	15	6	6	500
HTSN-M3-18-3	M3	18	6	6	500
HTSN-M3-20-3	M3	20	6	6	500
HTSN-M3-25-3	M3	25	6	6	500
HTSN-M3-30-3	M3	30	6	6	500
HTSN-M3-35-3	M3	35	6	6	500
HTSN-M4-5-3	M4	5	6	6.4	500
HTSN-M4-8-3	M4	8	6	6.4	500
HTSN-M4-10-3	M4	10	6	6.4	500
HTSN-M4-12-3	M4	12	6	6.4	500
HTSN-M4-15-3	M4	15	6	6.4	500
HTSN-M4-18-3	M4	18	6	6.4	500
HTSN-M4-20-3	M4	20	6	6.4	500
HTSN-M4-25-3	M4	25	6	6.4	500
HTSN-M4-30-3	M4	30	6	6.4	500
HTSN-M4-35-3	M4	35	6	6.4	500
HTSN-M4-40-3	M4	40	6	6.4	500

Hex Threaded Standoff Female/Female

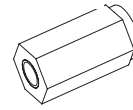
HTSN-1/HNSM-1

Black, Nylon 6 25% Glass Filled, RMS-173

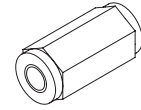
Brown, Nylon 6 VO 25% Glass Filled, RMS-205



Type 1



Type 2



Part Number		Thread	Dimensions (mm)				Type	Std Pack Qty
Black	Brown		"L"	"H"	"P1" / "P2"			
HTSN-M2-5-5-1	HNSM2-5-5-1V	M2	5	5	Through	2	500	
HTSN-M2-8-5-1	HNSM2-8-5-1V	M2	8	5	Through	2	500	
HTSN-M2-10-5-1	HNSM2-10-5-1V	M2	10	5	Through	2	500	
HTSN-M2-12-5-1	HNSM2-12-5-1V	M2	12	5	10	2	500	
HTSN-M2-15-5-1	HNSM2-15-5-1V	M2	15	5	10	2	500	
HTSN-M2-18-5-1	HNSM2-18-5-1V	M2	18	5	10	2	500	
HTSN-M2-20-5-1	HNSM2-20-5-1V	M2	20	5	10	2	500	
HTSN-M2.5-5-5-1	HNSM2.5-5-5-1V	M2.5	5	5	Through	2	500	
HTSN-M2.5-8-5-1	HNSM2.5-8-5-1V	M2.5	8	5	Through	2	500	
HTSN-M2.5-10-5-1	HNSM2.5-10-5-1V	M2.5	10	5	Through	2	500	
HTSN-M2.5-12-5-1	HNSM2.5-12-5-1V	M2.5	12	5	10	2	500	
HTSN-M2.5-15-5-1	HNSM2.5-15-5-1V	M2.5	15	5	10	2	500	
HTSN-M2.5-18-5-1	HNSM2.5-18-5-1V	M2.5	18	5	10	2	500	
HTSN-M2.5-20-5-1	HNSM2.5-20-5-1V	M2.5	20	5	10	2	500	
HTSN-M2.5-25-5-1	HNSM2.5-25-5-1V	M2.5	25	5	10	2	500	
HTSN-M3-5-5-5-1	HNSM3-5-5-5-1V	M3	5	5.5	Through	1	500	
HTSN-M3-8-5-5-1	HNSM3-8-5-5-1V	M3	8	5.5	Through	1	500	
HNSM3-10-5-5-1	HNSM3-10-5-5-1V	M3	10	5.5	Through	1	500	
HNSM3-12-5-5-1	HNSM3-12-5-5-1V	M3	12	5.5	10	1	500	
HNSM3-15-5-5-1	HNSM3-15-5-5-1V	M3	15	5.5	10	1	500	
HNSM3-18-5-5-1	HNSM3-18-5-5-1V	M3	18	5.5	10	1	500	
HNSM3-20-5-5-1	HNSM3-20-5-5-1V	M3	20	5.5	10	1	500	
HNSM3-25-5-5-1	HNSM3-25-5-5-1V	M3	25	5.5	10	1	500	
HNSM3-30-5-5-1	HNSM3-30-5-5-1V	M3	30	5.5	10	1	500	
HNSM3-35-5-5-1	HNSM3-35-5-5-1V	M3	35	5.5	10	1	500	
HTSN-M3-5-6-1	HNSM3-5-6-1V	M3	5	6	Through	2	500	
HTSN-M3-8-6-1	HNSM3-8-6-1V	M3	8	6	Through	2	500	
HTSN-M3-10-6-1	HNSM3-10-6-1V	M3	10	6	Through	2	500	
HTSN-M3-12-6-1	HNSM3-12-6-1V	M3	12	6	Through	2	500	
HTSN-M3-15-6-1	HNSM3-15-6-1V	M3	15	6	Through	2	500	
HTSN-M3-18-6-1	HNSM3-18-6-1V	M3	18	6	10	2	500	
HTSN-M3-20-6-1	HNSM3-20-6-1V	M3	20	6	10	2	500	
HTSN-M3-25-6-1	HNSM3-25-6-1V	M3	25	6	10	2	500	
HTSN-M3-30-6-1	HNSM3-30-6-1V	M3	30	6	10	2	500	
HTSN-M3-35-6-1	HNSM3-35-6-1V	M3	35	6	10	2	500	
HTSN-M3-5-7-1	HNSM3-5-7-1V	M3	5	7	Through	2	500	
HTSN-M3-8-7-1	HNSM3-8-7-1V	M3	8	7	Through	2	500	
HTSN-M3-10-7-1	HNSM3-10-7-1V	M3	10	7	Through	2	500	
HTSN-M3-12-7-1	HNSM3-12-7-1V	M3	12	7	Through	2	500	
HTSN-M3-15-7-1	HNSM3-15-7-1V	M3	15	7	Through	2	500	
HTSN-M3-18-7-1	HNSM3-18-7-1V	M3	18	7	10	2	500	
HTSN-M3-20-7-1	HNSM3-20-7-1V	M3	20	7	10	2	500	

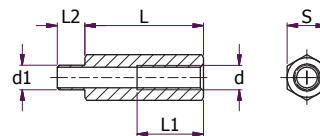
Part Number		Thread	Dimensions (mm)				Type	Std Pack Qty
Black	Brown		"L"	"H"	"P1" / "P2"			
HTSN-M3-25-7-1	HNSM3-25-7-1V	M3	25	7	10	2	500	
HTSN-M3-30-7-1	HNSM3-30-7-1V	M3	30	7	10	2	500	
HTSN-M3-35-7-1	HNSM3-35-7-1V	M3	35	7	10	2	500	
HTSN-M3-5-8-1	HNSM3-5-8-1V	M3	5	8	Through	2	500	
HTSN-M3-8-8-1	HNSM3-8-8-1V	M3	8	8	Through	2	500	
HTSN-M3-10-8-1	HNSM3-10-8-1V	M3	10	8	Through	2	500	
HTSN-M3-12-8-1	HNSM3-12-8-1V	M3	12	8	Through	2	500	
HTSN-M3-15-8-1	HNSM3-15-8-1V	M3	15	8	Through	2	500	
HTSN-M3-18-8-1	HNSM3-18-8-1V	M3	18	8	10	2	500	
HTSN-M3-20-8-1	HNSM3-20-8-1V	M3	20	8	10	2	500	
HTSN-M3-25-8-1	HNSM3-25-8-1V	M3	25	8	10	2	500	
HTSN-M3-30-8-1	HNSM3-30-8-1V	M3	30	8	10	2	500	
HTSN-M3-35-8-1	HNSM3-35-8-1V	M3	35	8	10	2	500	
HTSN-M4-5-8-1	HNSM4-5-8-1V	M4	5	8	Through	2	500	
HTSN-M4-8-8-1	HNSM4-8-8-1V	M4	8	8	Through	2	500	
HTSN-M4-10-8-1	HNSM4-10-8-1V	M4	10	8	Through	2	500	
HTSN-M4-12-8-1	HNSM4-12-8-1V	M4	12	8	Through	2	500	
HTSN-M4-15-8-1	HNSM4-15-8-1V	M4	15	8	Through	2	500	
HTSN-M4-18-8-1	HNSM4-18-8-1V	M4	18	8	Through	2	500	
HTSN-M4-20-8-1	HNSM4-20-8-1V	M4	20	8	Through	2	500	
HTSN-M4-25-8-1	HNSM4-25-8-1V	M4	25	8	10	2	500	
HTSN-M4-30-8-1	HNSM4-30-8-1V	M4	30	8	10	2	500	
HTSN-M4-35-8-1	HNSM4-35-8-1V	M4	35	8	10	2	500	
HTSN-M4-40-8-1	HNSM4-40-8-1V	M4	40	8	10	2	500	
HTSN-M4-10-10-1	HNSM4-10-10-1V	M4	10	10	Through	2	500	
HTSN-M4-12-10-1	HNSM4-12-10-1V	M4	12	10	Through	2	500	
HTSN-M4-15-10-1	HNSM4-15-10-1V	M4	15	10	Through	2	500	
HTSN-M4-18-10-1	HNSM4-18-10-1V	M4	18	10	Through	2	500	
HTSN-M4-20-10-1	HNSM4-20-10-1V	M4	20	10	Through	2	500	
HTSN-M4-25-10-1	HNSM4-25-10-1V	M4	25	10	10	2	500	
HTSN-M4-30-10-1	HNSM4-30-10-1V	M4	30	10	10	2	500	
HTSN-M4-35-10-1	HNSM4-35-10-1V	M4	35	10	10	2	500	
HTSN-M4-40-10-1	HNSM4-40-10-1V	M4	40	10	10	2	500	
HTSN-M5-10-10-1	HNSM5-10-10-1V	M5	10	10	Through	2	500	
HTSN-M5-12-10-1	HNSM5-12-10-1V	M5	12	10	Through	2	500	
HTSN-M5-15-10-1	HNSM5-15-10-1V	M5	15	10	Through	2	500	
HTSN-M5-18-10-1	HNSM5-18-10-1V	M5	18	10	Through	2	500	
HTSN-M5-20-10-1	HNSM5-20-10-1V	M5	20	10	Through	2	500	
HTSN-M5-25-10-1	HNSM5-25-10-1V	M5	25	10	10	2	500	
HTSN-M5-30-10-1	HNSM5-30-10-1V	M5	30	10	10	2	500	
HTSN-M5-35-10-1	HNSM5-35-10-1V	M5	35	10	10	2	500	
HTSN-M5-40-10-1	HNSM5-40-10-1V	M5	40	10	10	2	500	

Soldering Spacer - Male/Female

SR6124

Tin Plated Brass

- Designed to improve and automate fastening of metal spacers non PCB
- Low thermal inertia and tin plated finish
- Perfect electrical connection, suitable for EMC applications
- To be soldered manually or through a soldering wave



Part Number	Dimensions (mm)						Std Pack Qty
	d	S	L	L2	L1	d1	
314310041250	M3	5	10	3.5	6	3.1	100
314315041250	M3	5	15	3.5	8	3.1	100

SPLIT PACKS AVAILABLE

email | sales@mossexpress.co.uk

web | www.mossexpress.co.uk

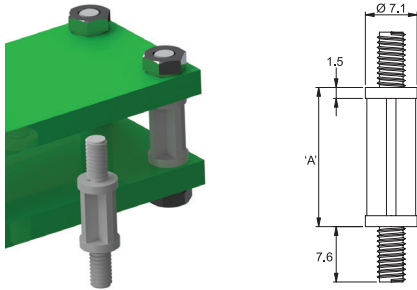
155

THREADED/METAL SPACERS

Circuit Board Stacking Spacer

CBS-TMM

UL94 V-2 Nylon 6/6, RMS-01 Natural



SEE TABLE FOR THREAD
DETAIL AT BOTH ENDS



Part Number		"A" Standoff Height	Std Pack Qty
#6-32 Thread	M4 Thread		
CBS-TMM-4-01	CBS-TMM-M4-4-01	6.4	1000
CBS-TMM-6-01	CBS-TMM-M4-6-01	9.5	1000
CBS-TMM-8-01	CBS-TMM-M4-8-01	12.7	1000
CBS-TMM-10-01	CBSTMM-M4-10-01	15.9	1000
CBS-TMM-12-01	CBSTMM-M4-12-01	19.1	1000
CBS-TMM-14-01	CBSTMM-M4-14-01	22.2	1000
CBS-TMM-16-01	CBSTMM-M4-16-01	25.4	1000
CBS-TMM-20-01	CBSTMM-M4-20-01	31.7	1000
CBS-TMM-22-01	CBSTMM-M4-22-01	34.9	1000

Metric Low Voltage Insulators

TNM

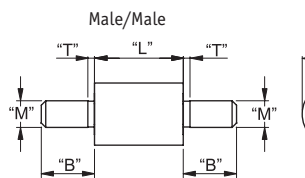
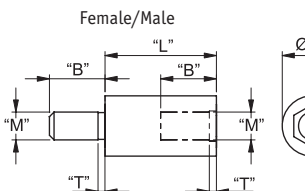
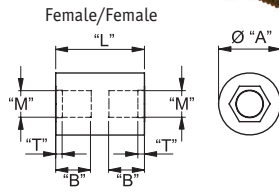
Natural UL94 V2 Nylon 6/6, RMS-133

Inserts: Brass, RMS-231

- Voltage breakdown > 11,000 volts/mm



Can't find the size you are
looking for? Contact us!



Part Number			Thread	"A"	"B"	"T"	"L"	Std Pack Qty
Female/Female	Female/Male	Male/Male						
TNM2.5-6.5-10-1	TNM2.5-6.5-10-2	TNM2.5-6.5-10-3	M2.5	6.5	6	0.6	10	100
TNM2.5-6.5-15-1	TNM2.5-6.5-15-2	TNM2.5-6.5-15-3	M2.5	6.5	6	0.6	15	100
TNM2.5-6.5-20-1	TNM2.5-6.5-20-2	TNM2.5-6.5-20-3	M2.5	6.5	6	0.6	20	100
TNM2.5-6.5-25-1	TNM2.5-6.5-25-2	TNM2.5-6.5-25-3	M2.5	6.5	6	0.6	25	100
TNM2.5-8-10-1	TNM2.5-8-10-2	TNM2.5-8-10-3	M2.5	8	6	0.68	10	100
TNM2.5-8-15-1	TNM2.5-8-15-2	TNM2.5-8-15-3	M2.5	8	6	0.68	15	100
TNM2.5-8-20-1	TNM2.5-8-20-2	TNM2.5-8-20-3	M2.5	8	6	0.68	20	100
TNM2.5-8-25-1	TNM2.5-8-25-2	TNM2.5-8-25-3	M2.5	8	6	0.68	25	100
TNM3-6.5-10-1	TNM3-6.5-10-2	TNM3-6.5-10-3	M3	6.5	6	0.75	10	100
TNM3-6.5-12-1	TNM3-6.5-12-2	TNM3-6.5-12-3	M3	6.5	6	0.75	12	100
TNM3-6.5-15-1	TNM3-6.5-15-2	TNM3-6.5-15-3	M3	6.5	6	0.75	15	100
TNM3-6.5-18-1	TNM3-6.5-18-2	TNM3-6.5-18-3	M3	6.5	6	0.75	18	100
TNM3-6.5-20-1	TNM3-6.5-20-2	TNM3-6.5-20-3	M3	6.5	6	0.75	20	100
TNM3-6.5-25-1	TNM3-6.5-25-2	TNM3-6.5-25-3	M3	6.5	6	0.75	25	100
TNM3-6.5-30-1	TNM3-6.5-30-2	TNM3-6.5-30-3	M3	6.5	6	0.75	30	100
TNM3-6.5-40-1	TNM3-6.5-40-2	TNM3-6.5-40-3	M3	6.5	6	0.75	40	100
TNM3-6.5-45-1	TNM3-6.5-45-2	TNM3-6.5-45-3	M3	6.5	6	0.75	45	100
TNM3-8-10-1	TNM3-8-10-2	TNM3-8-10-3	M3	8	6	0.75	10	100
TNM3-8-12-1	TNM3-8-12-2	TNM3-8-12-3	M3	8	6	0.75	12	100
TNM3-8-15-1	TNM3-8-15-2	TNM3-8-15-3	M3	8	6	0.75	15	100
TNM3-8-18-1	TNM3-8-18-2	TNM3-8-18-3	M3	8	6	0.75	18	100
TNM3-8-20-1	TNM3-8-20-2	TNM3-8-20-3	M3	8	6	0.75	20	100
TNM3-8-25-1	TNM3-8-25-2	TNM3-8-25-3	M3	8	6	0.75	25	100
TNM3-8-30-1	TNM3-8-30-2	TNM3-8-30-3	M3	8	6	0.75	30	100
TNM3-8-40-1	TNM3-8-40-2	TNM3-8-40-3	M3	8	6	0.75	40	100
TNM3-8-45-1	TNM3-8-45-2	TNM3-8-45-3	M3	8	6	0.75	45	100
TNM4-8-15-1	TNM4-8-15-2	TNM4-8-15-3	M4	8	6	1.05	15	100
TNM4-8-18-1	TNM4-8-18-2	TNM4-8-18-3	M4	8	6	1.05	18	100
TNM4-8-20-1	TNM4-8-20-2	TNM4-8-20-3	M4	8	6	1.05	20	100
TNM4-8-25-1	TNM4-8-25-2	TNM4-8-25-3	M4	8	6	1.05	25	100
TNM4-8-30-1	TNM4-8-30-2	TNM4-8-30-3	M4	8	6	1.05	30	100
TNM4-8-40-1	TNM4-8-40-2	TNM4-8-40-3	M4	8	6	1.05	40	100
TNM4-8-45-1	TNM4-8-45-2	TNM4-8-45-3	M4	8	6	1.05	45	100
TNM4-8-50-1	TNM4-8-50-2	TNM4-8-50-3	M4	8	6	1.05	50	100
TNM4-9.5-15-1	TNM4-9.5-15-2	TNM4-9.5-15-3	M4	9.5	10	1.05	15	100
TNM4-9.5-18-1	TNM4-9.5-18-2	TNM4-9.5-18-3	M4	9.5	10	1.05	18	100
TNM4-9.5-20-1	TNM4-9.5-20-2	TNM4-9.5-20-3	M4	9.5	10	1.05	20	100
TNM4-9.5-25-1	TNM4-9.5-25-2	TNM4-9.5-25-3	M4	9.5	10	1.05	25	100
TNM4-9.5-30-1	TNM4-9.5-30-2	TNM4-9.5-30-3	M4	9.5	10	1.05	30	100
TNM4-9.5-40-1	TNM4-9.5-40-2	TNM4-9.5-40-3	M4	9.5	10	1.05	40	100
TNM4-9.5-45-1	TNM4-9.5-45-2	TNM4-9.5-45-3	M4	9.5	10	1.05	45	100
TNM4-9.5-50-1	TNM4-9.5-50-2	TNM4-9.5-50-3	M4	9.5	10	1.05	50	100
TNM5-9.5-20-1	TNM5-9.5-20-2	TNM5-9.5-20-3	M5	9.5	10	1.2	20	100
TNM5-9.5-25-1	TNM5-9.5-25-2	TNM5-9.5-25-3	M5	9.5	10	1.2	25	100
TNM5-9.5-30-1	TNM5-9.5-30-2	TNM5-9.5-30-3	M5	9.5	10	1.2	30	100
TNM5-9.5-40-1	TNM5-9.5-40-2	TNM5-9.5-40-3	M5	9.5	10	1.2	40	100
TNM5-9.5-45-1	TNM5-9.5-45-2	TNM5-9.5-45-3	M5	9.5	10	1.2	45	100
TNM5-9.5-50-1	TNM5-9.5-50-2	TNM5-9.5-50-3	M5	9.5	10	1.2	50	100
TNM6-12.7-25-1	TNM6-12.7-25-2	TNM6-12.7-25-3	M6	12.7	12.7	1.5	25	100
TNM6-12.7-30-1	TNM6-12.7-30-2	TNM6-12.7-30-3	M6	12.7	12.7	1.5	30	100
TNM6-12.7-40-1	TNM6-12.7-40-2	TNM6-12.7-40-3	M6	12.7	12.7	1.5	40	100
TNM6-12.7-45-1	TNM6-12.7-45-2	TNM6-12.7-45-3	M6	12.7	12.7	1.5	45	100
TNM6-12.7-50-1	TNM6-12.7-50-2	TNM6-12.7-50-3	M6	12.7	12.7	1.5	50	100
TNM6-12.7-55-1	TNM6-12.7-55-2	TNM6-12.7-55-3	M6	12.7	12.7	1.5	55	100

Metric Hex Low Voltage Insulators

HSM

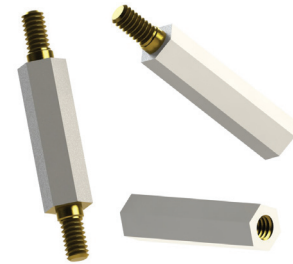
Natural Nylon 6, RMS-133

Insert: Brass, RMS-231

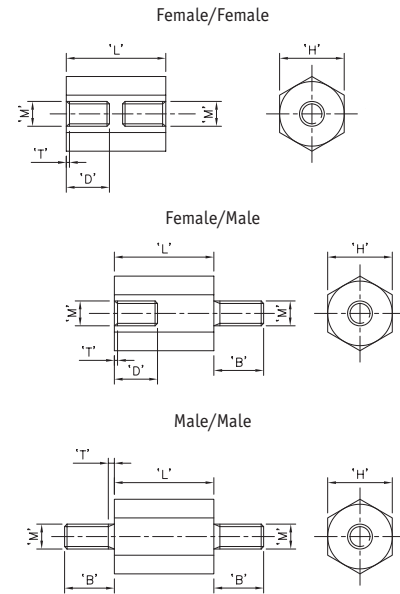
- Voltage breakdown > 11,000 volts/mm



Can't find the size you are looking for? Contact us!



Part Number			"M"	"H"	"B"	"D"	"T"	"L"	Std Pack Qty
Female/Female	Female/Male	Male/Male							
HSM2.5-6.4-15-1	HSM2.5-6.4-15-2	HSM2.5-6.4-15-3	M2.5	6.4	6	6	0.68	15	100
HSM2.5-6.4-20-1	HSM2.5-6.4-20-2	HSM2.5-6.4-20-3	M2.5	6.4	6	6	0.68	20	100
HSM2.5-6.4-25-1	HSM2.5-6.4-25-2	HSM2.5-6.4-25-3	M2.5	6.4	6	6	0.68	25	100
HSM3-6.4-15-1	HSM3-6.4-15-2	HSM3-6.4-15-3	M3	6.4	6	6	0.75	15	100
HSM3-6.4-18-1	HSM3-6.4-18-2	HSM3-6.4-18-3	M3	6.4	6	6	0.75	18	100
HSM3-6.4-20-1	HSM3-6.4-20-2	HSM3-6.4-20-3	M3	6.4	6	6	0.75	20	100
HSM3-6.4-25-1	HSM3-6.4-25-2	HSM3-6.4-25-3	M3	6.4	6	6	0.75	25	100
HSM3-6.4-30-1	HSM3-6.4-30-2	HSM3-6.4-30-3	M3	6.4	6	6	0.75	30	100
HSM3-6.4-40-1	HSM3-6.4-40-2	HSM3-6.4-40-3	M3	6.4	6	6	0.75	40	100
HSM3-6.4-45-1	HSM3-6.4-45-2	HSM3-6.4-45-3	M3	6.4	6	6	0.75	45	100
HSM4-8-15-1	HSM4-8-15-2	HSM4-8-15-3	M4	8	6	6	1.05	15	100
HSM4-8-18-1	HSM4-8-18-2	HSM4-8-18-3	M4	8	6	6	1.05	18	100
HSM4-8-20-1	HSM4-8-20-2	HSM4-8-20-3	M4	8	6	6	1.05	20	100
HSM4-8-25-1	HSM4-8-25-2	HSM4-8-25-3	M4	8	6	6	1.05	25	100
HSM4-8-30-1	HSM4-8-30-2	HSM4-8-30-3	M4	8	6	6	1.05	30	100
HSM4-8-40-1	HSM4-8-40-2	HSM4-8-40-3	M4	8	6	6	1.05	40	100
HSM4-8-45-1	HSM4-8-45-2	HSM4-8-45-3	M4	8	6	6	1.05	45	100
HSM4-8-50-1	HSM4-8-50-2	HSM4-8-50-3	M4	8	6	6	1.05	50	100
HSM5-9.5-20-1	HSM5-9.5-20-2	HSM5-9.5-20-3	M5	9.5	10	10	1.2	20	100
HSM5-9.5-25-1	HSM5-9.5-25-2	HSM5-9.5-25-3	M5	9.5	10	10	1.2	25	100
HSM5-9.5-30-1	HSM5-9.5-30-2	HSM5-9.5-30-3	M5	9.5	10	10	1.2	30	100
HSM5-9.5-40-1	HSM5-9.5-40-2	HSM5-9.5-40-3	M5	9.5	10	10	1.2	40	100
HSM5-9.5-45-1	HSM5-9.5-45-2	HSM5-9.5-45-3	M5	9.5	10	10	1.2	45	100
HSM5-9.5-50-1	HSM5-9.5-50-2	HSM5-9.5-50-3	M5	9.5	10	10	1.2	50	100
HSM6-12.7-25-1	HSM6-12.7-25-2	HSM6-12.7-25-3	M6	12.7	12.7	12.7	1.5	25	100
HSM6-12.7-30-1	HSM6-12.7-30-2	HSM6-12.7-30-3	M6	12.7	12.7	12.7	1.5	30	100
HSM6-12.7-40-1	HSM6-12.7-40-2	HSM6-12.7-40-3	M6	12.7	12.7	12.7	1.5	40	100
HSM6-12.7-45-1	HSM6-12.7-45-2	HSM6-12.7-45-3	M6	12.7	12.7	12.7	1.5	45	100
HSM6-12.7-50-1	HSM6-12.7-50-2	HSM6-12.7-50-3	M6	12.7	12.7	12.7	1.5	50	100
HSM6-12.7-55-1	HSM6-12.7-55-2	HSM6-12.7-55-3	M6	12.7	12.7	12.7	1.5	55	100



Metric Micro Low Voltage Insulators

MTNSP

Natural Nylon 6, RMS-133

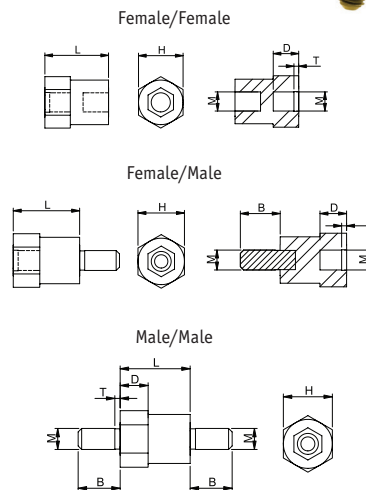
Insert: Brass, RMS-231

- Voltage breakdown > 11,000 volts/mm



Part Number	Thread Style	"M"	"L"	"H" Body Diameter	"B" Stud Length	"D" Insert Depth	"T"	Std Pack Qty
MTNSP-M2.5-10-1	Female/Female	M2.5	10	6	-	4	0.68	100
MTNSP-M2.5-12-1	Female/Female	M2.5	12	6	-	4	0.68	100
MTNSP-M3-10-1	Female/Female	M3	10	7	-	4	0.75	100
MTNSP-M3-12-1	Female/Female	M3	12	7	-	4	0.75	100
MTNSP-M2.5-8-2	Male/Female	M2.5	8	6	6	4	0.68	100
MTNSP-M2.5-10-2	Male/Female	M2.5	10	6	6	4	0.68	100
MTNSP-M2.5-12-2	Male/Female	M2.5	12	6	6	4	0.68	100
MTNSP-M3-8-2	Male/Female	M3	8	7	6	4	0.75	100
MTNSP-M3-10-2	Male/Female	M3	10	7	6	4	0.75	100
MTNSP-M3-12-2	Male/Female	M3	12	7	6	4	0.75	100
MTNSP-M2.5-5-3	Male/Male	M2.5	5	6	6	-	-	100
MTNSP-M2.5-8-3	Male/Male	M2.5	8	6	6	-	-	100
MTNSP-M2.5-10-3	Male/Male	M2.5	10	6	6	-	-	100
MTNSP-M2.5-12-3	Male/Male	M2.5	12	6	6	-	-	100
MTNSP-M3-5-3	Male/Male	M3	5	6	6	-	-	100
MTNSP-M3-8-3	Male/Male	M3	8	6	6	-	-	100
MTNSP-M3-10-3	Male/Male	M3	10	6	6	-	-	100
MTNSP-M3-12-3	Male/Male	M3	12	6	6	-	-	100

Unthreaded length: 1.5 pitch max.



THREADED/METAL SPACERS

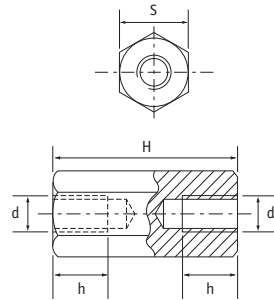
Hex Spacer - Female/Female

SR2701

Nickel Plated Brass/Zinc Plated Steel/

Stainless Steel

- Screw-in design



Part Number		Dimensions (mm)				Std Pack Qty	
Nickel Plated Brass	Zinc Plated Steel	Stainless Steel	d	S	H		h
301105040050	301105040052	301105041556	M2	4	5	2.5	100
301108040050	-	301108041556	M2	4	8	4	100
301110040050	-	301110041556	M2	4	10	5	100
301112040050	-	301112041556	M2	4	12	6	100
301115040050	-	301115041556	M2	4	15	6	100
301118040050	-	301118041556	M2	4	18	6	100
301120040050	-	301120041556	M2	4	20	6	100
301125040050	-	-	M2	4	25	6	50
301130040050	-	-	M2	4	30	6	50
301205040050	-	301205041556	M2.5	5	5	2.5	100
301206040050	-	-	M2.5	5	6	3	100
301208040050	-	301208041556	M2.5	5	8	4	100
301210040050	-	301210041556	M2.5	5	10	5	100
301211040050	-	-	M2.5	5	11	5.5	100
301212040050	-	301212041556	M2.5	5	12	6	100
301213040050	-	-	M2.5	5	13	6.5	100
301215040050	-	301215041556	M2.5	5	15	7.5	100
301218040050	-	301218041556	M2.5	5	18	8	100
301220040050	-	301220041556	M2.5	5	20	8	100
301225040050	-	-	M2.5	5	25	8	100
301230040050	-	-	M2.5	5	30	8	100
301235040050	-	-	M2.5	5	35	8	100
301240040050	-	-	M2.5	5	40	8	100
301305040050	301305041152	-	M3	5	5	2.5	100
301306040050	301306041152	-	M3	5	6	3	100
301307040050	-	-	M3	5	7	3.5	100
301308040050	301308041152	-	M3	5	8	4	100
301309040050	301309041152	-	M3	5	9	4.5	100
301310040050	301310041152	-	M3	5	10	5	100
301311040050	-	-	M3	5	11	5.5	100
301312040050	301312041152	-	M3	5	12	6	100
301313040050	301313041152	-	M3	5	13	6.5	100
301314040050	301314041152	-	M3	5	14	7	100
301315040050	301315041152	-	M3	5	15	7.5	100
301316040050	301316041152	-	M3	5	16	8	100
301317040050	-	-	M3	5	17	8.5	100
301318040050	301318041152	-	M3	5	18	9	100
301319040050	-	-	M3	5	19	9	100
301320040050	301320041152	-	M3	5	20	9	100
301325040050	301325041152	-	M3	5	25	10	100
301330040050	301330041152	-	M3	5	30	10	100
301335040050	301335041152	-	M3	5	35	10	100
301340040050	301340041152	-	M3	5	40	10	100
301345040050	301345041152	-	M3	5	45	10	50
301350040050	301350041152	-	M3	5	50	10	50
301355040050	301355041152	-	M3	5	55	10	50
301360040050	301360041152	-	M3	5	60	10	50
301305140050	301305141152	301305141556	M3	5.5	5	2.5	100
301308140050	301308141152	301308141556	M3	5.5	8	4	100
301310140050	301310141152	301310141556	M3	5.5	10	5	100

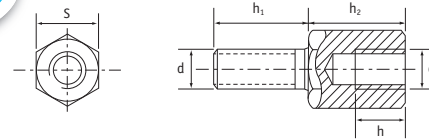
Part Number			Dimensions (mm)				Std Pack Qty
Nickel Plated Brass	Zinc Plated Steel	Stainless Steel	d	S	H	h	
301312140050	301312141152	-	M3	5.5	12	6	100
301315140050	301315141152	301315141556	M3	5.5	15	7.5	100
301316140050	-	-	M3	5.5	16	8	100
301318140050	301318141152	-	M3	5.5	18	9	100
301320140050	301320141152	301320141556	M3	5.5	20	9	100
301325140050	301325141152	301325141556	M3	5.5	25	10	100
301330140050	301330141152	301330141556	M3	5.5	30	10	100
301335140050	301335141152	-	M3	5.5	35	10	100
301340140050	301340141152	301340141556	M3	5.5	40	10	50
301345140050	-	-	M3	5.5	45	10	50
301350140050	301350141152	301350141556	M3	5.5	50	10	50
301360140050	301360141152	-	M3	5.5	60	10	50
-	-	301312141556	M3	5.5	12	6	50
-	-	301318141556	M3	5.5	18	9	50
301405040050	301405041152	-	M4	7	5	2.5	100
301408040050	301408041152	-	M4	7	8	4	100
-	301409041152	-	M4	7	9	4.5	100
301410040050	301410041152	301410041556	M4	7	10	5	100
301411040050	301411041152	-	M4	7	11	5.5	100
301412040050	301412041152	-	M4	7	12	6	100
301413040050	301413041152	-	M4	7	13	6.5	100
301414040050	301414041152	-	M4	7	14	7	100
301415040050	301415041152	301415041556	M4	7	15	7.5	100
301416040050	-	-	M4	7	16	8	100
301417040050	-	-	M4	7	17	8.5	100
301418040050	301418041152	-	M4	7	18	9	100
301420040050	301420041152	301420041556	M4	7	20	10	100
301425040050	301425041152	301425041556	M4	7	25	10	100
301430040050	301430041152	301430041556	M4	7	30	10	50
301435040050	301435041152	-	M4	7	35	10	50
301440040050	301440041152	301440041556	M4	7	40	10	50
301445040050	301445041152	-	M4	7	45	10	50
301450040050	301450041152	301450041556	M4	7	50	10	50
301455040050	301455041152	-	M4	7	55	10	50
301460040050	301460041152	-	M4	7	60	10	50
-	301465041152	-	M4	7	65	10	25
301470040050	301470041152	-	M4	7	70	10	25
301510040050	301510041152	301510041556	M5	8	10	5	100
301512040050	301512041152	-	M5	8	12	6	100
301515040050	301515041152	-	M5	8	15	7.5	100
-	-	301515041556	M5	8	15	7.5	50
301518040050	301518041152	-	M5	8	18	9	100
301520040050	301520041152	301520041556	M5	8	20	10	50
301525040050	301525041152	301525041556	M5	8	25	10	50
301530040050	301530041152	301530041556	M5	8	30	10	50
301535040050	301535041152	-	M5	8	35	10	50
301540040050	301540041152	301540041556	M5	8	40	10	50
301545040050	301545041152	-	M5	8	45	10	25
301550040050	301550041152	301550041556	M5	8	50	10	25
301555040050	301555041152	-	M5	8	55	10	25
301560040050	301560041152	301560041556	M5	8	60	10	25
301570040050	301570041152	-	M5	8	70	10	25
-	301610041152	-	M6	10	10	5	50
-	301615041152	-	M6	10	15	7.5	50
-	301618041152	301618041556	M6	10	18	9	50
-	301620041152	301620041556	M6	10	20	10	50
-	301625041152	301625041556	M6	10	25	12	50
-	301630041152	301630041556	M6	10	30	12	50
-	301635041152	-	M6	10	35	12	25
-	301640041152	301640041556	M6	10	40	12	25
-	301650041152	301650041556	M6	10	50	12	25
-	301655041152	-	M6	10	55	12	25
-	301660041152	301660041556	M6	10	60	12	25
-	301670041152	-	M6	10	70	12	25
-	301815041152	-	M8	13	15	7.5	10
-	301820041152	-	M8	13	20	10	10
-	301825041152	-	M8	13	25	12.5	10
-	301830041152	-	M8	13	30	15	10
-	301835041152	-	M8	13	35	15	10
-	301840041152	-	M8	13	40	15	10
-	301850041152	-	M8	13	50	15	10
-	301860041152	-	M8	13	60	15	10
-	301870041152	-	M8	13	70	15	10

Hex Spacer - Male/Female

SR2702

Nickel Plated Brass/Zinc Plated Steel/Stainless Steel

- Screw-in design



Part Number			Dimensions					Std Pack Qty
Nickel Plated Brass	Zinc Plated Steel	Stainless Steel	d	S	h1	h2	h	Qty
-	-	304105041556	M2	4	5	6	3	100
304105040050	-	304108041556	M2	4	8	6	4	100
304108040050	-	304110041556	M2	4	10	6	6	100
304110040050	-	-	M2	4	12	6	6	100
304112040050	-	304115041556	M2	4	15	6	6	100
304115040050	-	-	M2	4	18	6	6	100
304118040050	-	304120041556	M2	4	20	6	6	100
304120040050	-	-	M2	4	25	6	6	50
304125040050	-	-	M2	4	30	6	6	50
304130040050	-	304205041556	M2.5	5	5	6	3	100
304205040050	-	-	M2.5	5	6	6	3	100
304206040050	-	-	M2.5	5	7	6	4	100
304207040050	-	304208041556	M2.5	5	8	6	4	100
304208040050	-	304210041556	M2.5	5	10	6	6	100
304210040050	-	-	M2.5	5	11	6	6	100
304211040050	-	304212041556	M2.5	5	12	6	6	100
304212040050	-	304215041556	M2.5	5	15	6	6	100
304215040050	-	304218041556	M2.5	5	18	6	6	100
304218040050	-	304220041556	M2.5	5	20	6	6	100
304220040050	-	-	M2.5	5	25	6	6	100
304225040050	-	-	M2.5	5	30	6	6	100
304230040050	304305041152	-	M3	5	5	8	3	100
304305040050	304306041152	-	M3	5	6	8	3	100
304306040050	304307041152	-	M3	5	7	8	4	100
304307040050	304308041152	-	M3	5	8	8	4	100
304308040050	-	304309040050	M3	5	9	8	4	100
304309040050	-	304310041152	M3	5	10	8	6	100
304310040050	304310041152	-	M3	5	11	8	6	100
304311040050	-	-	M3	5	11	8	6	100
304312040050	304312041152	-	M3	5	12	8	8	100
304313040050	-	-	M3	5	13	8	8	100
304314040050	-	-	M3	5	14	8	8	100
304315040050	304315041152	-	M3	5	15	8	8	100
304316040050	-	-	M3	5	16	8	8	100
304317040050	-	-	M3	5	17	8	8	100
304318040050	304318041152	-	M3	5	18	8	8	100
304320040050	304320041152	-	M3	5	20	8	8	100
304325040050	304325041152	-	M3	5	25	10	10	100
304330040050	304330041152	-	M3	5	30	10	10	100
304335040050	304335041152	-	M3	5	35	10	10	100
304340040050	304340041152	-	M3	5	40	10	10	50
304345040050	304345041152	-	M3	5	45	10	10	50
304350040050	304350041152	-	M3	5	50	10	10	50
304355040050	-	-	M3	5	55	10	10	50
304360040050	304360041152	-	M3	5	60	10	10	50
304305240050	-	-	M3	5.5	5	6	3	100
304305140050	304305141152	304305141556	M3	5.5	5	8	3	100
304306240050	-	-	M3	5.5	6	6	3	100
304306140050	-	-	M3	5.5	6	8	3	100
304308240050	-	-	M3	5.5	8	6	4	100
304308140050	304308141152	304308141556	M3	5.5	8	8	4	100
304310240050	-	-	M3	5.5	10	6	6	100
304310140050	304310141152	304310141556	M3	5.5	10	8	6	100
304312240050	-	-	M3	5.5	12	6	6	100
304312140050	304312141152	304312141556	M3	5.5	12	8	8	100
304313140050	-	-	M3	5.5	13	8	8	100
304315240050	-	-	M3	5.5	15	6	6	100
304315140050	304315141152	304315141556	M3	5.5	15	8	8	100
304318240050	-	-	M3	5.5	18	6	6	100
304318140050	304318141152	304318141556	M3	5.5	18	8	8	100
304320240050	-	-	M3	5.5	20	6	6	100
304320140050	304320141152	304320141556	M3	5.5	20	8	8	100
304325240050	-	-	M3	5.5	25	6	6	100
304325140050	304325141152	304325141556	M3	5.5	25	10	10	100
304330240050	-	-	M3	5.5	30	6	6	100

Part Number			Dimensions					Std Pack Qty
Nickel Plated Brass	Zinc Plated Steel	Stainless Steel	d	S	h1	h2	h	Qty
304330140050	304330141152	304330141556	M3	5.5	30	10	10	100
304335240050	-	-	M3	5.5	35	6	6	50
304335140050	304335141152	-	M3	5.5	35	10	10	50
304340240050	-	-	M3	5.5	40	6	6	50
304340140050	304340141152	304340141556	M3	5.5	40	10	10	50
304350240050	-	-	M3	5.5	50	6	6	50
304350140050	304350141152	304350141556	M3	5.5	50	10	10	50
304360140050	304360141152	-	M3	5.5	60	10	10	50
304408040050	304408041152	-	M4	7	8	8	4	100
304410040050	304410041152	304410041556	M4	7	10	8	6	100
304412040050	304412041152	-	M4	7	12	8	8	100
304415040050	304415041152	304415041556	M4	7	15	8	8	100
304418040050	304418041152	-	M4	7	18	8	8	100
304420040050	304420041152	304420041556	M4	7	20	8	8	100
304425040050	304425041152	304425041556	M4	7	25	10	10	50
304430040050	304430041152	304430041556	M4	7	30	10	10	50
304435040050	304435041152	-	M4	7	35	10	10	50
304440040050	304440041152	304440041556	M4	7	40	10	10	50
304445040050	304445041152	-	M4	7	45	10	10	50
304450040050	304450041152	304450041556	M4	7	50	10	10	50
-	304455041152	-	M4	7	55	10	10	50
304460040050	304460041152	-	M4	7	60	10	10	25
-	304465041152	-	M4	7	65	10	10	25
304470040050	304470041152	-	M4	7	70	10	10	25
-	304480041152	-	M4	7	80	10	10	25
304510040050	304510041152	304510041556	M5	8	10	8	6	50
304512040050	304512041152	304512041556	M5	8	12	8	8	50
304515040050	304515041152	304515041556	M5	8	15	8	8	50
304518040050	304518041152	304518041556	M5	8	18	8	8	50
304520040050	304520041152	304520041556	M5	8	20	8	8	50
304525040050	304525041152	304525041556	M5	8	25	10	10	50
304530040050	304530041152	304530041556	M5	8	30	10	10	50
304535040050	304535041152	304535041556	M5	8	35	10	10	25
304540040050	304540041152	304540041556	M5	8	40	10	10	25
304545040050	304545041152	-	M5	8	45	10	10	25
304550040050	304550041152	304550041556	M5	8	50	10	10	25
-	304555041152	-	M5	8	55	10	10	25
304560040050	304560041152	304560041556	M5	8	60	10	10	25
-	304570041152	304570041556	M5	8	70	10	10	25
-	304610341152	304610341556	M6	10	10	12	6	50
-	304612341152	304612341556	M6	10	12	12	8	50
-	304615341152	304615341556	M6	10	15	12	8	50
-	-	304618341556	M6	10	18	12	8	50
-	304618341152	-	M6	10	18	12	12	50
-	304620341152	304620341556	M6	10	20	12	12	50
-	304625341152	304625341556	M6	10	25	12	13	50
-	304630341152	304630341556	M6	10	30	12	13	25
-	304635341152	304635341556	M6	10	35	12	13	25
-	304640341152	304640341556	M6	10	40	12	13	25
-	304650341152	304650341556	M6	10	50	12	13	25
-	304660341152	304660341556	M6	10	60	12	13	25
-	304670341152	304670341556	M6	10	70	12	13	25
-	304680341152	304680341556	M6	10	80	12	13	25
-	304690341152	304690341556	M6	10	90	12	13	25
-	304815041152	-	M8	13	15	14	8	10
-	304818041152	-	M8	13	18	14	12	10
-	304820041152	-	M8	13	20	14	12	10
-	304825041152	-	M8	13	25	14	15	10
-	304830041152	-	M8	13	30	14	15	10
-	304835041152	-	M8	13	35	14	15	10
-	304840041152	-	M8	13	40	14	15	10
-	304850041152	-	M8	13	50	14	15	10
-	304860041152	-	M8	13	60	14	15	10
-	304870041152	-	M8	13	70	14	15	10

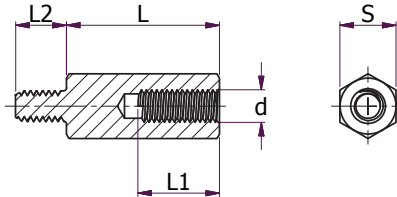
THREADED/METAL SPACERS

Hex Spacer - Self Tapping Male/Female

SR6125

Nickel Plated Hardened Steel - Brass coloured

- Excellent electrical conduction by special copper / nickel casing
- No closing washers or nuts necessary because of self-tapping thread
- Especially suitable for metal sheets, aluminium and nylon



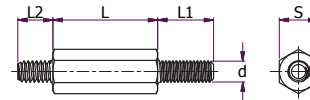
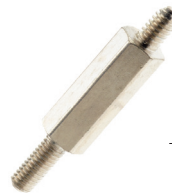
Part Number	Dimensions (mm)						Std Pack Qty
	d	S	L	L1	L2	Hole dia.	
315305140058	M3	6	5	5	3	2.7	100
315308140058	M3	6	8	5	4	2.7	100
315310140058	M3	6	10	5	6	2.7	100
315312140058	M3	6	12	5	8	2.7	100
315315140058	M3	6	15	5	8	2.7	100
315410041058	M4	7	10	8	6	3.6	100
315415041058	M4	7	15	8	8	3.6	100
315420041058	M4	7	20	8	8	3.6	100
315425041058	M4	7	25	10	10	3.6	50
315430041058	M4	7	30	10	10	3.6	50

Hex Spacer - Self Tapping Male/Male

SR6126

Zinc Plated Hardened Steel

- No closing washers or nuts necessary because of self-tapping thread
- Especially suitable for metal sheets, aluminium and nylon
- Hole diameter 2.70 mm (+0.00/- 0.05)



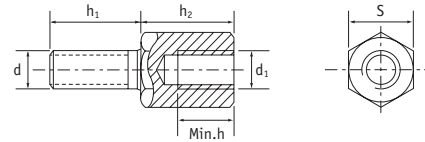
Part Number	Dimensions (mm)						Std Pack Qty
	d	S	L	L1	L2	Hole dia.	
316305140058	M3	6	5	5	8	2.7	100
316308140058	M3	6	8	5	8	2.7	100
316310140058	M3	6	10	5	8	2.7	100
316312140058	M3	6	12	5	8	2.7	100
316315140058	M3	6	15	5	8	2.7	100

Hex Spacer - Sub-D

SR 2703

Nickel Plated Brass/Zinc Plated Steel/Stainless Steel

- Screw-in design
- Used for attaching D Connectors



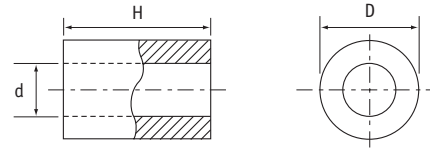
Part Number			Dimensions (mm)						Std Pack Qty
Nickel Plated Brass	Zinc Plated Steel	Stainless Steel	d	d1	S	h1	Min.h	h2	
308104040050	308104041152	308104041556	4 NC	4 NC	5	6	3	5	
308204040050	308204041152	308204041556	4 NC	4 NC	5	8	3	5	
308304040050	308304041152	-	4 NC	4 NC	5	12	3	5	
308103040050	308103041152	308103041556	4 NC	M3	5	6	3	5	
308203040050	308203041152	308203041556	4 NC	M3	5	8	3	5	
308102040050	308102041152	308102041556	M3	4 NC	5	6	3	5	
308202040050	308202041152	308202041556	M3	4 NC	5	8	3	5	
308302040050	308302041152	-	M3	4 NC	5	12	3	5	
308101040050	308101041152	308101041556	M3	M3	5	6	3	5	
308201040050	308201041152	308201041556	M3	M3	5	8	3	5	
308301040050	308301041152	-	M3	M3	5	12	3	5	

Round Spacer

SR2704

Nickel Plated Brass/Stainless Steel

- A versatile universal assembly element for use in all sectors
- Allows for decorative applications, such as displays, furniture, etc



Part Number		Dimensions (mm)			Std Pack Qty
Nickel Plated Brass	StainlessSteel	D	d	H	Qty
311220240050	311220240056	2.2	4	2	250
311220340050	-	2.2	4	3	250
311220440050	-	2.2	4	4	250
311220540050	-	2.2	4	5	250
311220640050	-	2.2	4	6	250
311220740050	-	2.2	4	7	250
311220840050	-	2.2	4	8	250
311221040050	-	2.2	4	10	250
311250140050	-	2.5	5	1	250
311250240050	-	2.5	5	2	250
311250340050	-	2.5	5	3	250
311250440050	311250441556	2.5	5	4	250
311250540050	311250541556	2.5	5	5	250
311250640050	311250641556	2.5	5	6	250
311250740050	311250741556	2.5	5	7	250
311250840050	311250841556	2.5	5	8	250
311251040050	-	2.5	5	10	100
311251840050	-	2.5	5	18	100
311252040050	-	2.5	5	20	100
311320140050	-	3.2	6	1	250
311320240050	-	3.2	6	2	250
311320340050	-	3.2	6	3	250
311320440050	311320441556	3.2	6	4	250
311320540050	311320541556	3.2	6	5	250
311320640050	311320641556	3.2	6	6	250
311320740050	311320741556	3.2	6	7	250
311320840050	311320841556	3.2	6	8	250
311320940050	-	3.2	6	9	100
311321040050	311321041556	3.2	6	10	100
311321240050	-	3.2	6	12	100
311321540050	-	3.2	6	15	100
311322040050	-	3.2	6	20	100
311322540050	-	3.2	6	25	50

Part Number		Dimensions (mm)			Std Pack Qty
Nickel Plated Brass	StainlessSteel	D	d	H	Qty
311323040050	-	3.2	6	30	50
311430240050	-	4.3	8	2	250
311430340050	-	4.3	8	3	250
311430440050	311430441556	4.3	8	4	250
311430540050	311430541556	4.3	8	5	250
311430640050	311430641556	4.3	8	6	100
311430740050	311430741556	4.3	8	7	100
311430840050	311430841556	4.3	8	8	100
311431040050	311431041556	4.3	8	10	100
311431240050	311431241556	4.3	8	12	100
311431540050	-	4.3	8	15	100
311431840050	311431541556	4.3	8	18	100
311432040050	-	4.3	8	20	100
311432540050	-	4.3	8	25	50
311433040050	-	4.3	8	30	50
311433540050	-	4.3	8	35	50
311434040050	-	4.3	8	40	50
311530240050	-	5.3	10	2	100
311530340050	-	5.3	10	3	100
311530440050	-	5.3	10	4	100
311530540050	-	5.3	10	5	100
311530640050	-	5.3	10	6	100
311530740050	-	5.3	10	7	100
311530840050	-	5.3	10	8	100
311531040050	-	5.3	10	10	100
311531240050	-	5.3	10	12	100
311531540050	-	5.3	10	15	100
311531840050	-	5.3	10	18	100
311532040050	-	5.3	10	20	100
311532540050	-	5.3	10	25	50
311533040050	-	5.3	10	30	50
311534040050	-	5.3	10	40	25

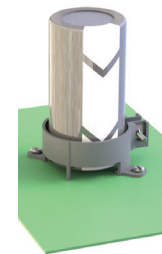
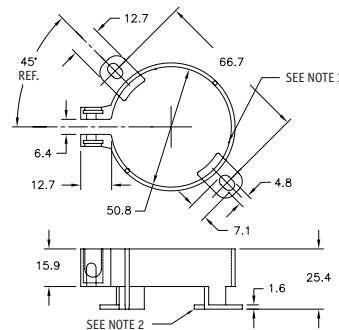
Standing Capacity Holder

SCH/SCHS

Black, Glass-filled Nylon, RMS-18

Optional

- Clamping hardware; Screw (S6B) Stainless Steel, RMS-357 ZincPlating, RMS-358; Quick Nut (QN-6) Spring Steel C1050, RMS-327 Coating: Black Phosphate, RMS-356
- Spacer to elevate capacitor 2.4 from chassis
- Anti-rotation rib (3 locations)



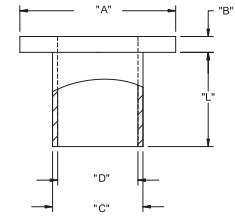
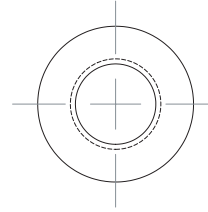
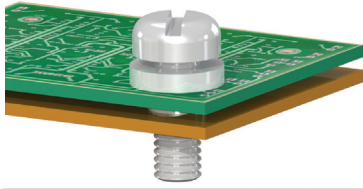
Part Number	Description	Std Pack Qty
SCHS-2	w/spacer, w/o hardware (Note 1)	100
SCH-2	w/o spacer, w/o hardware	100
SCHS-2-H	w/spacer, w/clamping hardware	100
SCH-2-H	w/o spacer, w/clamping hardware	100

THREADED/METAL SPACERS

Screw Insulator

MNI

Nylon 6/6



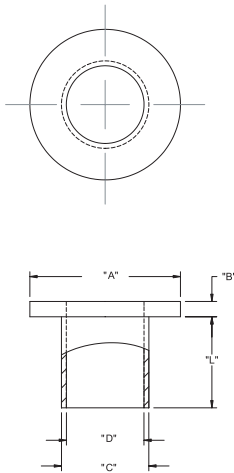
Part Number	Screw Size	Dimensions (mm)					Material	Std Pack Qty
		"L"	"A"	"B"	"C"	"D"		
MNI-2-2	M2	0.8	4.6	1.2	3	2.3	RMS-01	1000
MNI-2-4	M2	1.6	4.6	1.2	3	2.3	RMS-01	1000
MNI-2-6	M2	2.4	4.6	1.2	3	2.3	RMS-01	1000
MNI-4-2	M2.5	0.8	6	1.2	3.7	2.9	RMS-01	1000
MNI-4-3	M2.5	1.2	6	1.2	3.7	2.9	RMS-01	1000
MNI-M2.5-1.3	M2.5	1.3	6.3	1.2	3.5	2.9	RMS-01	1000
MNI-4-4	M2.5	1.6	6	1.2	3.7	2.9	RMS-01	1000
MNI-4-5	M2.5	2.1	6.4	1.2	3.6	2.9	RMS-01	1000
MNI-4-6	M2.5	2.4	6	1.2	3.7	2.9	RMS-01	1000
MNI-4-8	M2.5	3.2	6	1.2	3.7	2.9	RMS-01	1000
MNI-M2.5-3.6	M2.5	3.6	7.1	1.5	3.8	2.8	RMS-01	1000
MNI-4-10	M2.5	4	6	1.2	3.7	2.9	RMS-01	1000
MNI-4-12	M2.5	4.7	6	1.2	3.7	2.9	RMS-01	1000
MNI-4-16	M2.5	6.4	6	1.2	3.7	2.9	RMS-01	1000
MNI-4-24	M2.5	9.5	6	1.2	3.7	2.9	RMS-01	1000
MNI-M3-1.0	M3	1	7.1	1	3.8	3.1	RMS-48	1000
MNI-5-3	M3	1.3	9.4	1.2	6	3.3	RMS-48	1000
MNI-M3-1.3	M3	1.3	8.8	1.2	6	3.2	RMS-01	1000
MNI-M3-2.5	M3	2.5	7.1	1	3.8	3.1	RMS-48	1000
MNI-M3-3.5	M3	3.5	7.1	1	3.8	3.1	RMS-01	1000
MNI-6-2	M3.5	0.8	7.4	1.2	4.3	3.6	RMS-01	1000
MNI-6-4	M3.5	1.6	7.4	1.2	4.3	3.6	RMS-01	1000
MNI-6-6	M3.5	2.4	7.4	1.2	4.3	3.6	RMS-01	1000
MNI-6-8	M3.5	3.2	7.4	1.2	4.3	3.6	RMS-01	1000
MNI-6-12	M3.5	4.7	7.4	1.2	4.3	3.6	RMS-01	1000
MNI-6-16	M3.5	6.4	7.4	1.2	4.3	3.6	RMS-01	1000
MNI-6-24	M3.5	9.5	7.4	1.2	4.3	3.6	RMS-01	1000

Part Number	Screw Size	Dimensions (mm)					Material	Std Pack Qty
		"L"	"A"	"B"	"C"	"D"		
MNI-6-32	M3.5	12.7	7.4	1.2	4.3	3.6	RMS-48	1000
MNI-8-2	M4	0.8	8.7	1.6	5.2	4.4	RMS-01	1000
MNI-8-4	M4	1.6	8.7	1.6	5.2	4.4	RMS-01	1000
MNI-8-6	M4	2.4	8.7	1.6	5.2	4.4	RMS-01	1000
MNI-8-8	M4	3.2	8.7	1.6	5.2	4.4	RMS-01	1000
MNI-8-12	M4	4.7	8.7	1.6	5.2	4.4	RMS-01	1000
MNI-8-16	M4	6.4	8.7	1.6	5.2	4.4	RMS-01	1000
MNI-8-24	M4	9.5	8.7	1.6	5.2	4.4	RMS-48	1000
MNI-8-32	M4	12.7	8.7	1.6	5.2	4.4	RMS-01	1000
MNI-10-2	M5	0.8	10.1	1.6	6.6	5.1	RMS-01	1000
MNI-10-4	M5	1.6	10.1	1.6	6.6	5.1	RMS-01	1000
MNI-10-6	M5	2.4	10.1	1.6	6.6	5.1	RMS-01	1000
MNI-10-8	M5	3.2	10.1	1.6	6.6	5.1	RMS-01	1000
MNI-10-12	M5	4.7	10.1	1.6	6.6	5.1	RMS-01	1000
MNI-10-16	M5	6.4	10.1	1.6	6.6	5.1	RMS-01	1000
MNI-10-24	M5	9.5	10.1	1.6	6.6	5.1	RMS-01	1000
MNI-10-32	M5	12.7	10.1	1.6	6.6	5.1	RMS-48	1000
MNI1/4-2	M6	0.8	13	1.7	7.9	6.6	RMS-01	1000
MNI1/4-4	M6	1.6	13	1.7	7.9	6.6	RMS-01	1000
MNI1/4-6	M6	2.4	13	1.7	7.9	6.6	RMS-01	1000
MNI1/4-12	M6	4.7	13	1.7	7.9	6.6	RMS-01	1000
MNI1/4-16	M6	6.4	13	1.7	7.9	6.6	RMS-01	1000
MNI1/4-24	M6	9.5	13	1.7	7.9	6.6	RMS-01	1000
MNI1/4-32	M6	12.7	13	1.7	7.9	6.6	RMS-01	1000
MNI5/16-6	M8	2.4	15.7	1.6	9.1	8.1	RMS-01	1000
MNI5/16-12	M8	4.7	15.7	1.6	9.1	8.1	RMS-01	1000
MNI5/16-16	M8	6.4	15.7	1.6	9.1	8.1	RMS-01	1000

Screw Insulator High Temperature

MNI-HT

Black



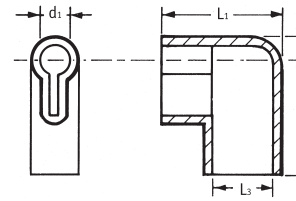
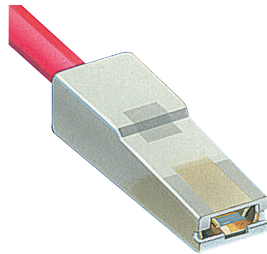
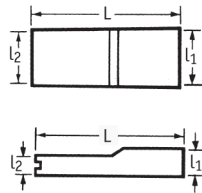
Part Number	Screw Size	Dimensions (mm)					Material	Std Pack Qty
		"L"	"A"	"B"	"C"	"D"		
MNI-HT-M2-1	M2	1.1	8	1	4.8	2.6	Nylon 6, 25% Glass Filled, RMS-173	1000
MNI-HT-M2-2	M2	1.3	6	1	3.5	2.6	Nylon 6, 25% Glass Filled, RMS-173	1000
MNI-HT-M2-3	M2	1.6	8	2.6	4.5	2.6	Nylon 6, 25% Glass Filled, RMS-173	1000
MNI-HT-M2-4	M2	4	7	2	3.5	2.6	Nylon 6, 25% Glass Filled, RMS-173	1000
MNI-HT-M2.5-1	M2.5	0.6	5.9	2	3.5	3	Nylon 6, 25% Glass Filled, RMS-173	1000
MNI-HT-M2.5-2	M2.5	1.2	5.9	1.3	3.5	3	Nylon 6, 25% Glass Filled, RMS-173	1000
MNI-HT-M2.5-3	M2.5	1.5	8	3	3.6	3	Nylon 6, 25% Glass Filled, RMS-173	1000
MNI-HT-M2.5-4	M2.5	2.5	5.5	1	3.5	3	Nylon 6, 25% Glass Filled, RMS-173	1000
MNI-HT-M2.5-5	M2.5	2.5	6.5	2	3.6	3	Nylon 6, 25% Glass Filled, RMS-173	1000
MNI-HT-4-2	M3	0.8	7.1	1.2	3.7	3	40% Glass Filled Polyphenylene Sulfide, RMS-50	1000
MNI-HT-4-220*	M3	0.8	5.5	1	3.4	2.9	40% Glass Filled Polyphenylene Sulfide, RMS-50	1000
MNI-HT-M3-1	M3	2	9	2	6.3	3.5	Nylon 6, 25% Glass Filled, RMS-173	1000
MNI-HT-M3-2	M3	2.2	7	0.8	5.1	3.5	Nylon 6, 25% Glass Filled, RMS-173	1000
MNI-HT-M3-3	M3	7.4	7	0.8	4.9	3.5	Nylon 6, 25% Glass Filled, RMS-173	1000
MNI-HT-M4-1	M4	1.7	15.7	4	9.7	4.5	Nylon 6, 25% Glass Filled, RMS-173	1000
MNI-HT-M4-2	M4	3.2	8	0.8	6	4.5	Nylon 6, 25% Glass Filled, RMS-173	1000
MNI-HT-M4-3	M4	6.5	15.7	5	9.7	4.5	Nylon 6, 25% Glass Filled, RMS-173	1000
MNI-HT-M4-4	M4	8	15.7	5	9.7	4.5	Nylon 6, 25% Glass Filled, RMS-173	1000
MNI-HT-10-6	M4.5	2.4	10.1	1.6	6.6	5.1	40% Glass Filled Polyphenylene Sulfide, RMS-50	1000
MNI-HT-M6-1	M6	1.3	13	0.6	9.6	6.5	Nylon 6, 25% Glass Filled, RMS-173	1000
MNI-HT-M6-2	M6	3.5	25	4.5	13	6.5	Nylon 6, 25% Glass Filled, RMS-173	1000
MNI-HT-M6-3	M6	6	25	4.5	13	6.5	Nylon 6, 25% Glass Filled, RMS-173	1000
MNI-HT-M6-4	M6	8.5	25	4.5	13	6.5	Nylon 6, 25% Glass Filled, RMS-173	1000

Terminal Sleeves - Post-Fit

SR 1771

PVC

- Protect wiring terminal
- Widely used in automotive and electrical industries



Post-Fit Straight Type, Clear PVC

Part Number	Terminal Size (mm)	Dimensions (mm)			Std Pack Qty
		l ₁	L	l ₂	
10077	6.3	7.8 x 3.2	26.5	6.0 x 1.5	10000

Post-Fit Right-Angled Type, Clear PVC

- This design can be fitted after the terminal is crimped to the wire

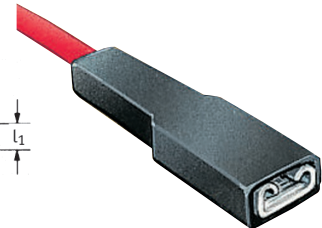
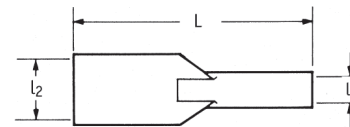
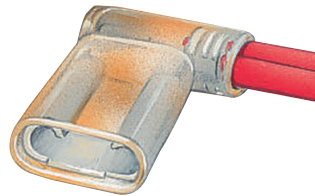
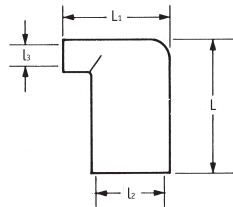
Part Number	Terminal Size (mm)	Dimensions (mm)				Std Pack Qty
		d ₁	L ₁	L ₃	L ₂	
10100	4.8	4.0	15.0	6.0 x 3.0	15.0	20000
10145	6.3	4.0	16.8	8.5 x 4.0	18.5	10000

Terminal Sleeves - Standard

SR 1771

PVC

- Protect wiring terminal
- Widely used in automotive and electrical industries



Standard Right-Angled Type, Clear PVC

Part Number	Terminal Size (mm)	Dimensions (mm)				Std Pack Qty
		l ₃	L	l ₂	l ₁	
10262	4.8	4.6 x 2.8	4.6 x 2.8	12.3	6.2 x 2.1	20000
10622	6.3	3.0	16.0	8.3 x 3.1	14.4	20000
10234	9.5	4.3	23.7	12.0 x 4.8	24.0	10000
10623	6.3	4.5	17.0	8.8 x 3.0	14.3	20000

Standard Straight Type, Black or Clear PVC

Part Number		Terminal Size (mm)	Dimensions (mm)			Std Pack Qty
Clear PVC	Black PVC		l ₁	L	l ₂	
11603	19774	2.8	2.5	19.5	3.7 x 2.5	20000
10973	-	9.5	3.3	32.9	11.0 x 3.2	10000
10631	-	9.5	4.8	33.4	10.3 x 4.0	5000
10490	-	4.8	2.8	25.4	7.4 x 2.0	20000
11049	-	4.8	3.0	19.5	4.8 x 1.7	20000
10229	-	4.8	3.0	29.3	7.5 x 2.0	20000
10789	-	6.3	4.0 x 2.5	26.4	7.7 x 2.3	20000
50760	-	6.3	4.3 x 2.0	26.0	7.5 x 2.0	20000
10626	-	6.3	5.7 x 2.3	27.0	7.6 x 2.3	10000

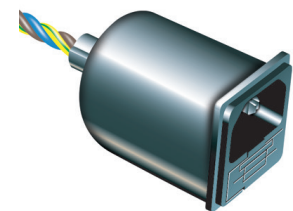
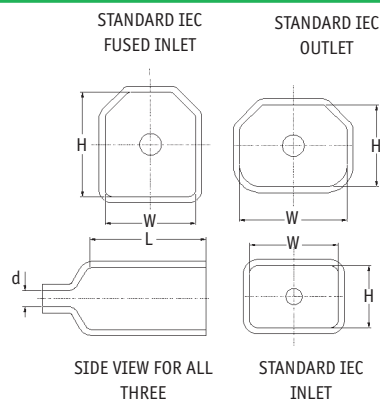
IEC Standard Terminal Insulation Sleeves

SR 1773

Black Flexible PVC

- Protect and insulate rear connection receptacles of IEC standard inlets and outlets
- Flash tested to 3K Volts AC (EN 60950)
- 'V' rated in accordance with UL94

Part Number	Description	Dimensions (mm)				Std Pack Qty
		H	W	L	d	
TSWXA-01	Fushed Inlet	31.5	26.5	45.0	6.4	400
TSWXA-03	Standard Inlet	18.2	26.1	33.0	4.8	400

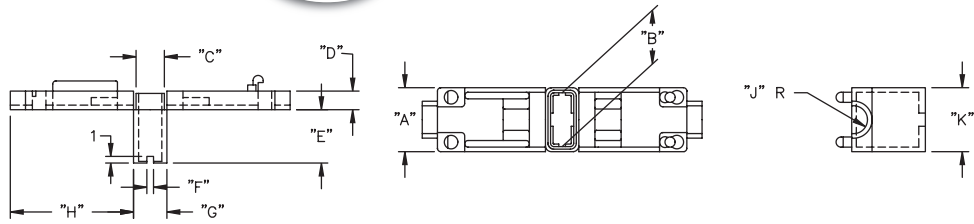
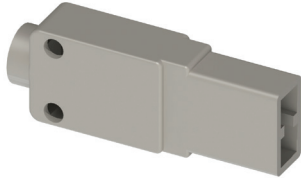


INSULATORS

One Touch Sleeve Insulator

05

Natural, Nylon 6, RMS-120



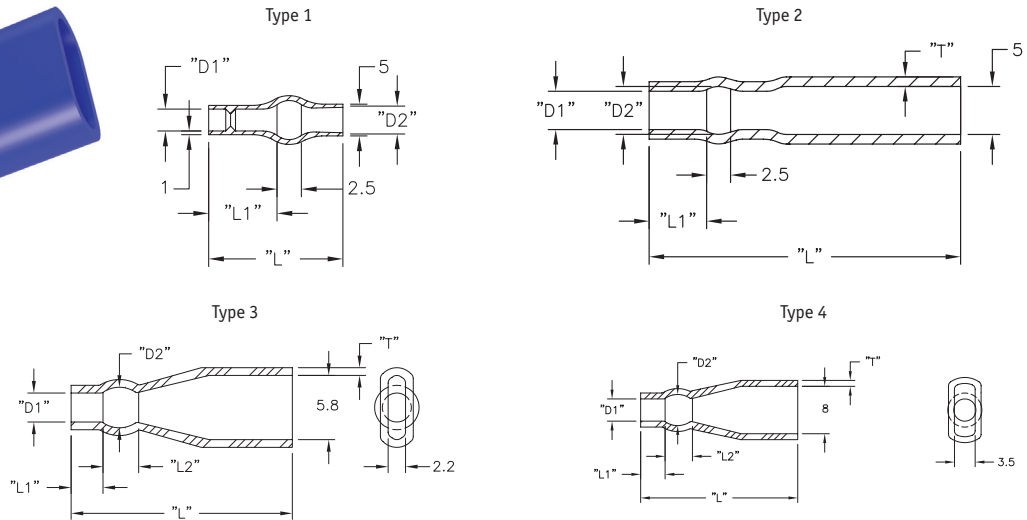
• UL #E55167

Part Number	Terminal Type	Wire Ø	"A"	"B"	"C"	"D"	"E"	"F"	"G"	"H"	"J"	"K"	Std Pack Qty
0S-187	Straight Type 187 Series	3.6	8.8	6.1	2.7	2.6	6.8	1	3.9	15.1	1.8	7.5	500
0S-250	Straight Type 250 Series	3.8	9.8	7.9	3.4	2.8	8	1	4.7	18.5	2.05	9.1	500

Quick Fit Insulator

2xxxxx

Blue, Soft PVC, RMS-55



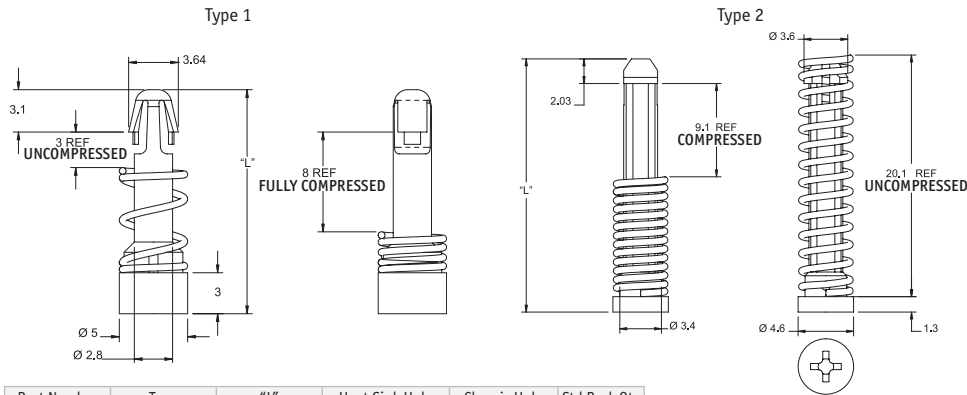
Part Number	Wire O.D. Range	Wire Gauge	"D1"	"D2"	"L1"	"L2"	"L"	"T"	Type	Std Pack Qty
224225	1.47-2.31	22-18	2.5	4.1	6.1	-	13	-	1	1000
224230	1.73-2.87	20-18	3	4.1	6.1	-	13	-	1	1000
215025	1.47-2.31	22-18	2.5	4.1	6.1	-	33	1	2	1000
215032	1.8-3.2	18-16	3.3	4.6	7.1	-	34	1	2	1000
235830	1.5 - 2.3	20-18	3	4	5	2.5	23	0.8	3	1000
235835	1.8 - 3.6	18-14	3.5	4.5	5	3	23	0.8	3	1000
238032	1.8-3.2	18-16	3.3	4.8	5.1	2.5	24.1	1	4	1000
238035	1.8-3.6	18-14	3.6	4.6	5.1	3	24.1	1	4	1000
238040	2.3-3.6	16-14	4.1	5.1	5.1	3	24.6	1	4	1000
238048	2.9-4.8	14-12	4.8	6.3	5.1	2.5	24.9	1	4	1000

Heat Sink Spring Mount Rivet

HSR

Rivet Material: Natural Nylon 6/6, RMS-47

Spring Material: Steel, RMS-326 Chrome Plated RMS-355



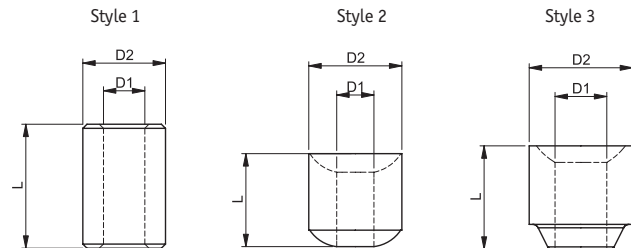
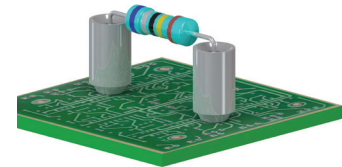
Part Number	Type	"L"	Heat Sink Hole	Chassis Hole	Std Pack Qty
HSR-1	1	16.4	3.18	3	1000
HSR-2	2	20.9	3.05	3.1	1000

Ceramic Beads

CER

Natural Steatite C220 Ceramic, RMS-170

- Max. operating temperature: 1000°C
- Parts are stackable as seen in application photo



Part Number	"D1"	"D2"	"L"	Style	Std Pack Qty
CER-1	2	4	6	1	1000
CER-2	1.6	4.5	8	1	1000
CER-3	1.6	4.5	10	1	1000
CER-4	1	3	3	2	1000
CER-5	1.8	4.5	4.5	2	1000
CER-6	1	3	5	2	1000
CER-7	2.5	5	5	3	1000

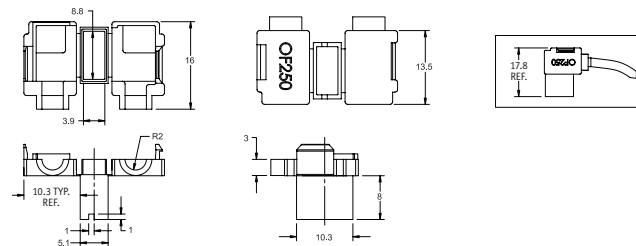
One Touch Sleeve Insulator

OF

Natural Nylon 6, RMS-120



UL #E55167



Part Number	Terminal Type	Wire Ø	Std Pack Qty
OF-250	Flag Type 250 Series	3.9	500

SPLIT PACKS AVAILABLE

email | sales@mossexpress.co.uk web | www.mossexpress.co.uk