

MHF® 4L LK

Locking solution that works with MHF 4/4L receptacles, the M.2 industry standard, mated height of 2.0 mm max., excellent electrical performance up to 12 GHz

Product Specifications:

Mated Height (mm max.)	2.0	
Rece. SMT Size (mm)	2.0 x 2.0	
Applicable Frequency	DC ~ 12 GHz	
Characteristic Impedance	50 ohm	
VSWR (L=100 mm)	DC~3 GHz	1.3 max.
	3~6 GHz	1.4 max.
	6~9 GHz	1.5 max.
	9~12 GHz	1.6 max.

* Please inquire for pin counts not listed or outside of the pin count range.

Applicable Cable Size:

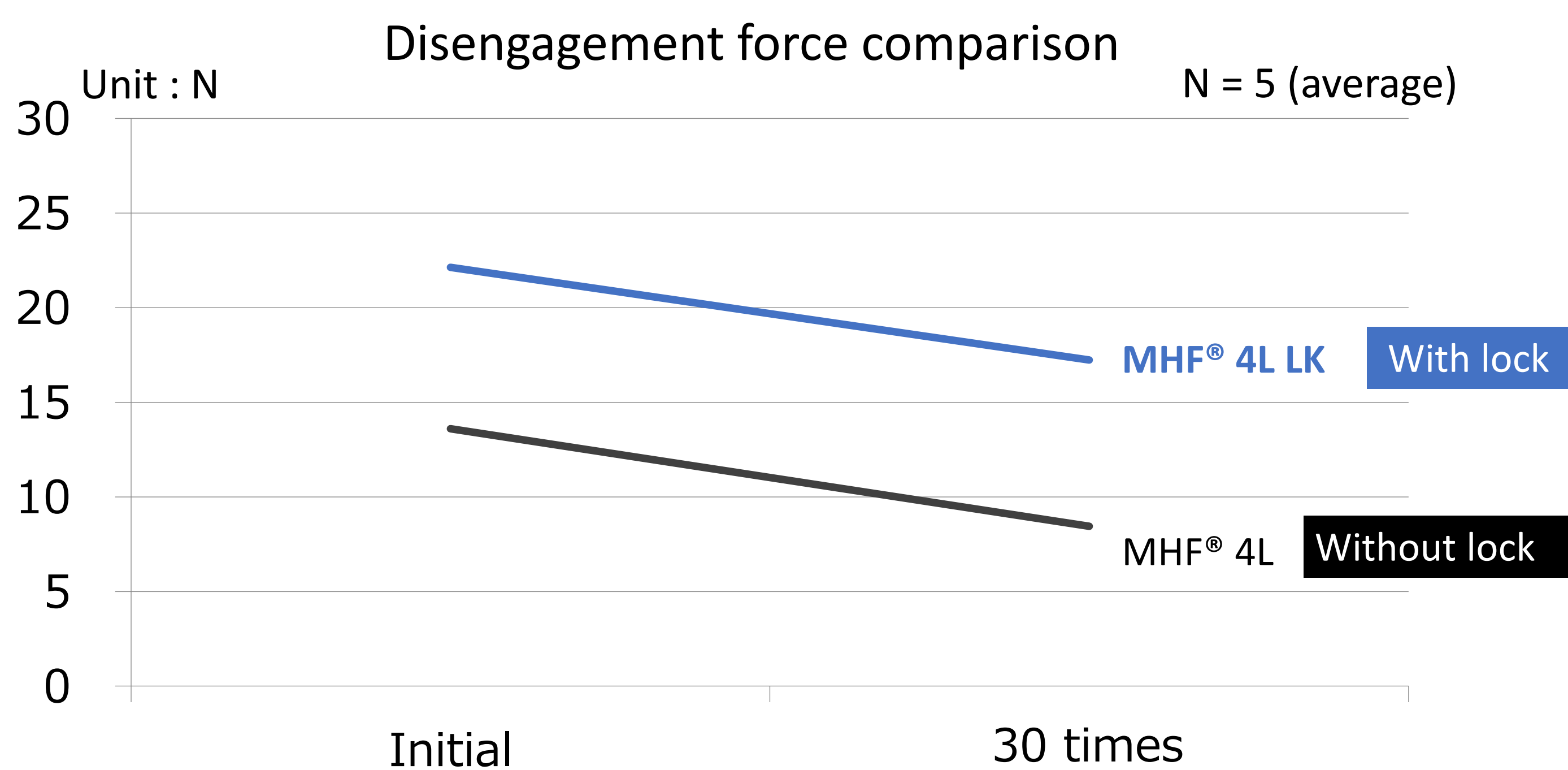
1.37 mm / AWG 30

Applicable Standards (Reference Only):

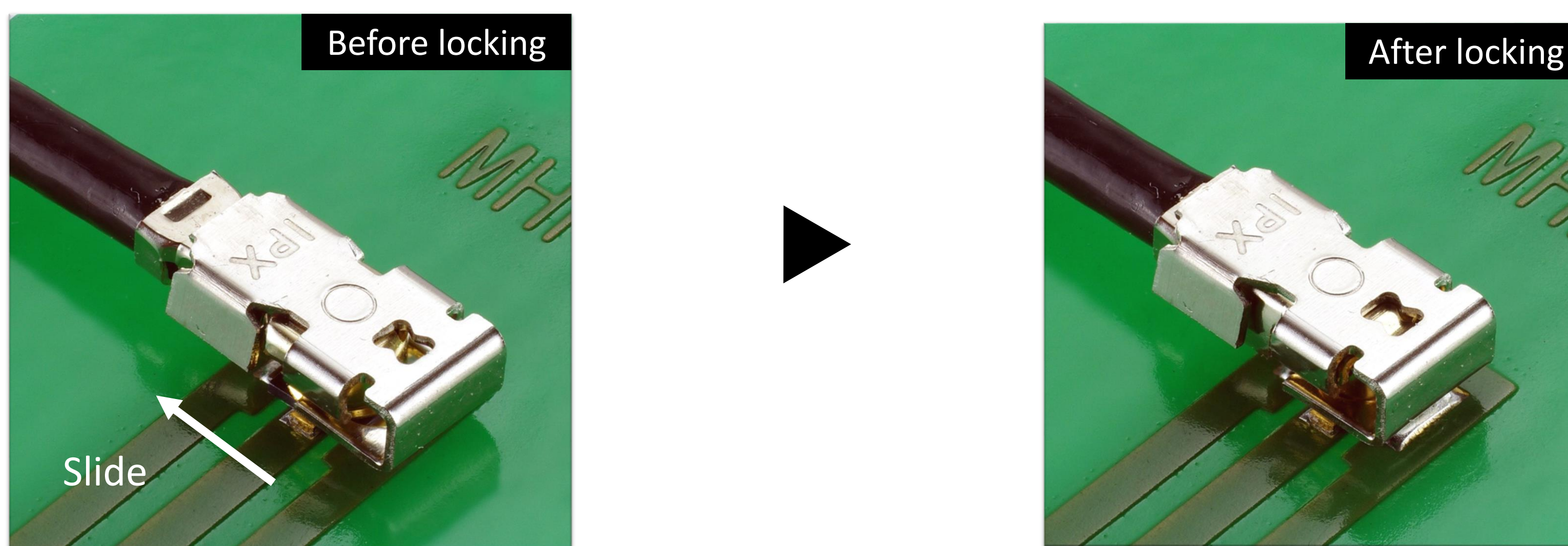
5G sub-6, Wi-Fi 6E, LTE/LTE-Advanced, LPWA, Bluetooth, GPS



▶ Ideal for continuous shock and vibration applications



▶ Patented locking system for MHF® 4L Plug

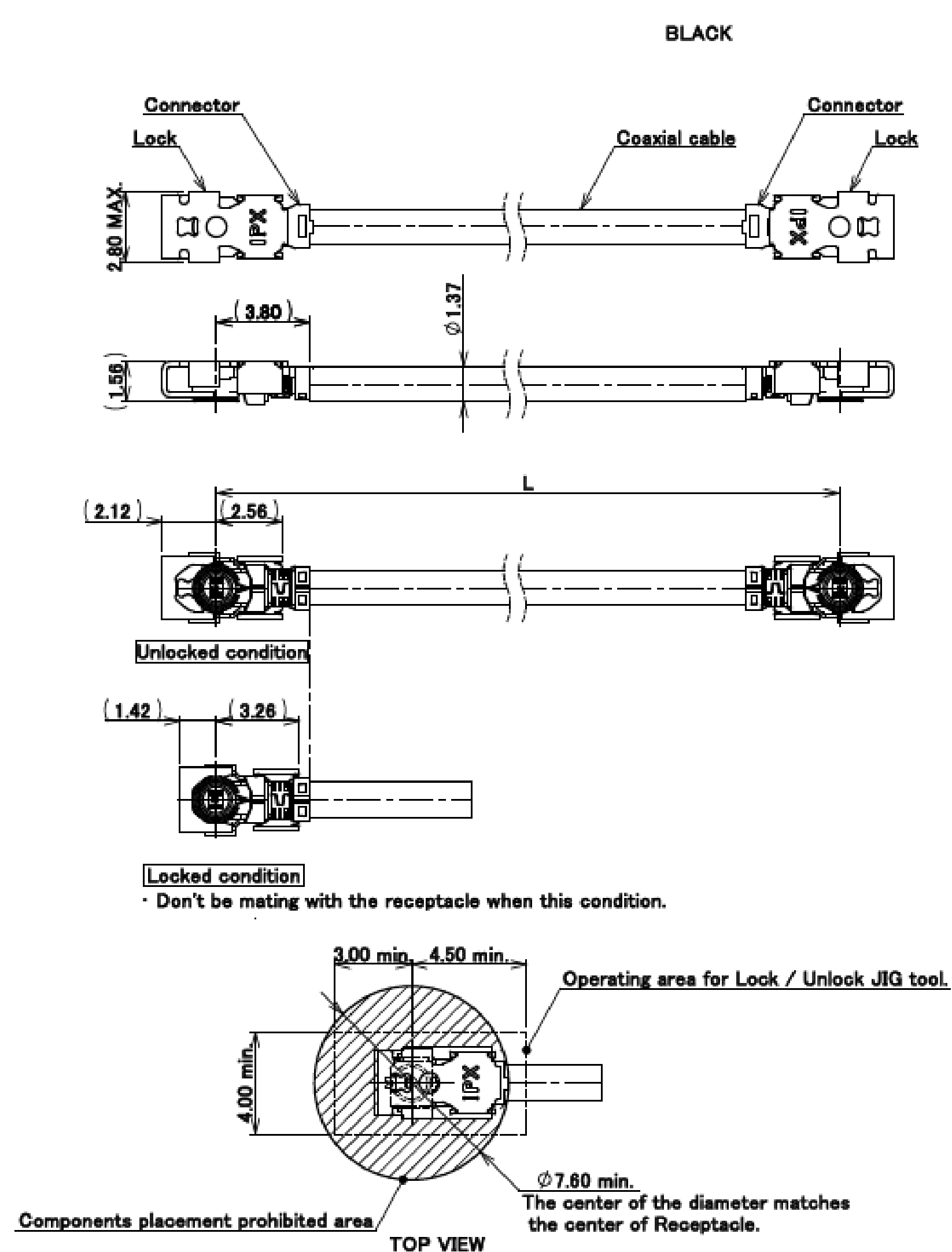


▶ Mates with MHF® 4/4L Receptacles

Product name	MHF® 4L LK	MHF® 4L	MHF® 4L	MHF® 4L
Lock	Yes	No	No	No
Mating Height	2.0 mm max.	1.7 mm max.	1.4 mm max.	1.2 mm max.
Coax O.D. (Center Conductor AWG)	1.37 mm (AWG#30)	●		
	1.13 mm (AWG#32)		●	
	0.95 mm (AWG#33)		●	
	0.81 mm (AWG#36)			●
	0.64 mm (AWG#36)			●
Receptacle	MHF 4 receptacle (20449-001E-**) , MHF 4L receptacle (20579-001E)			

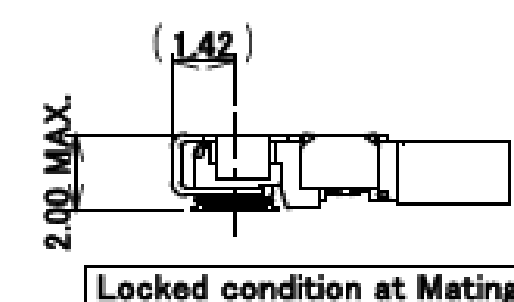
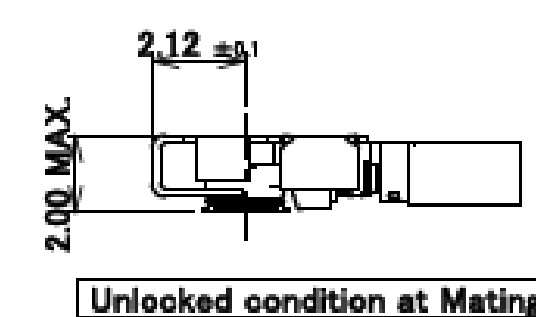
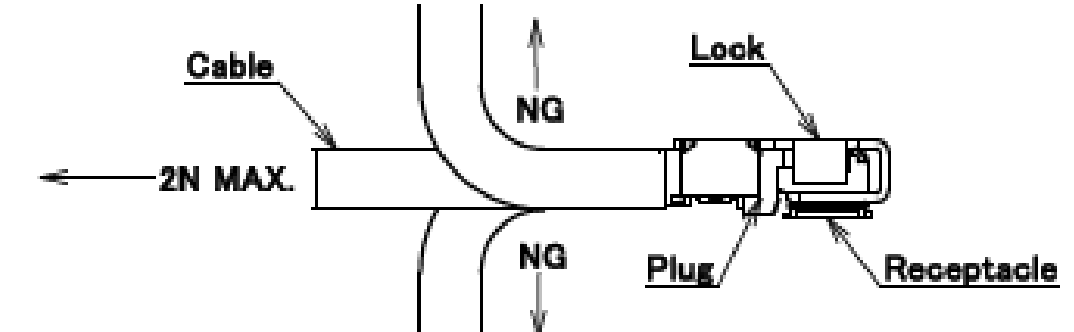
Component Parts Details

MHF[®] 4L LK

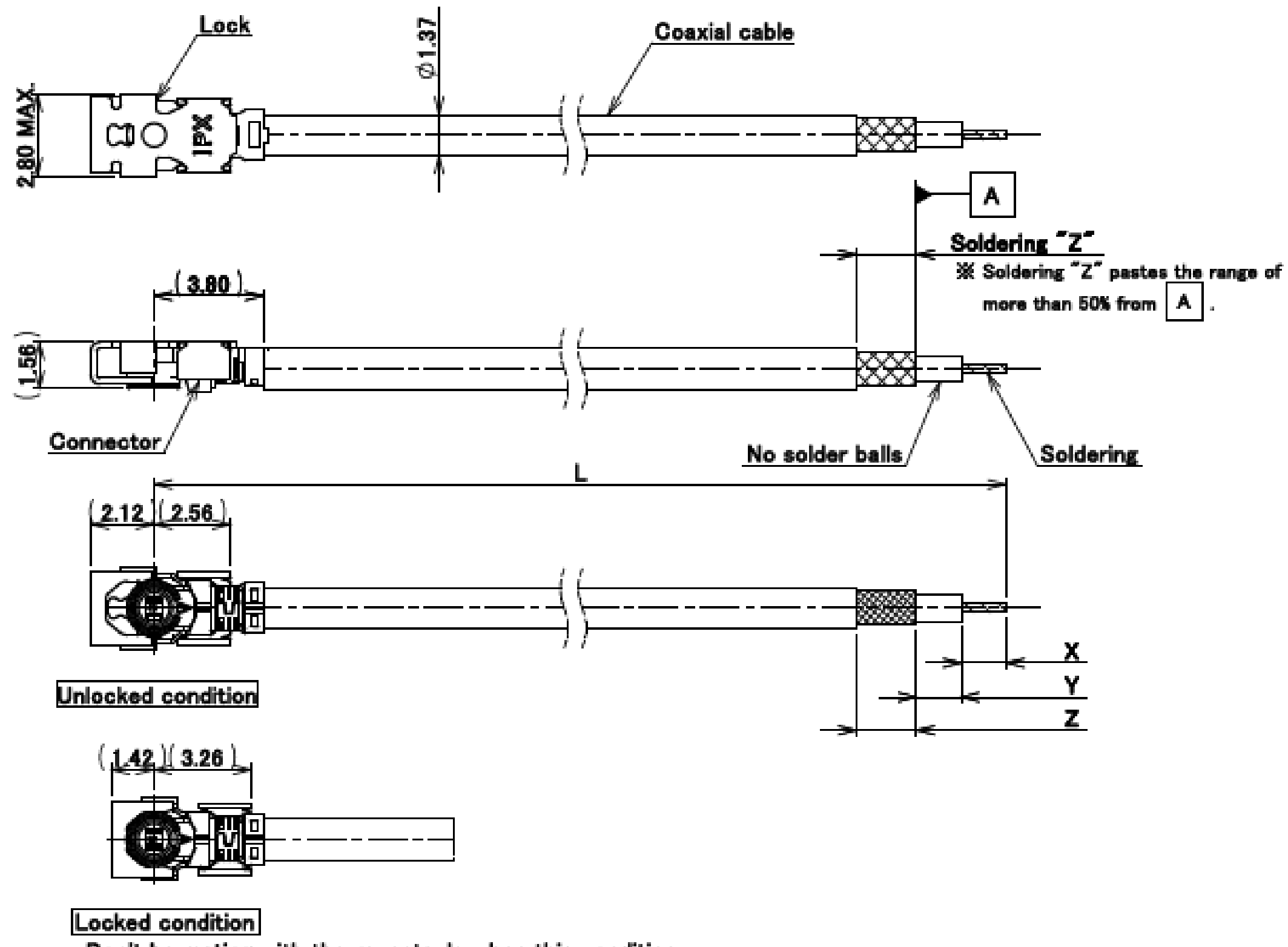


NOTES

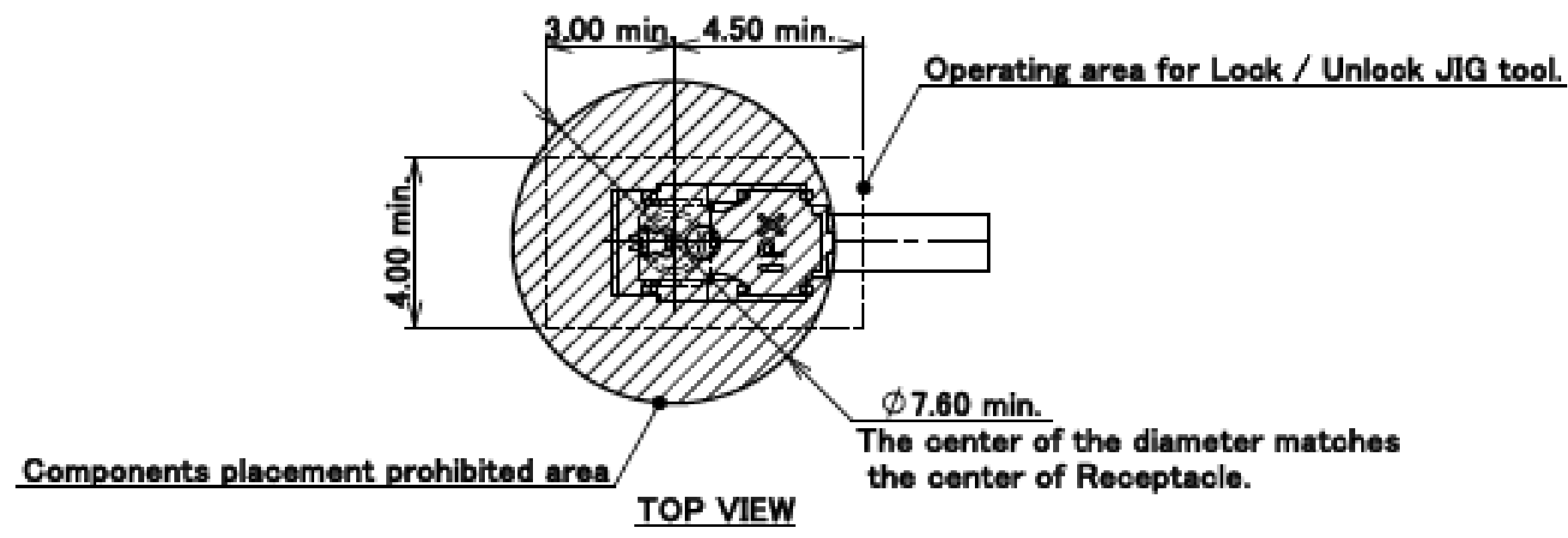
1. Constructions
 - (1) Connector : MHF4L Plug
 - (2) Coaxial cable : AWG#30 $\phi 1.37$
2. Orientation of connector : $0^\circ \pm 45^\circ$
3. Packing : Bag
4. This product is RoHS compliant.
5. Cable crimp strength : 15N MIN.
6. Permissible load of cable at mating.



MHF[®] 4L LK

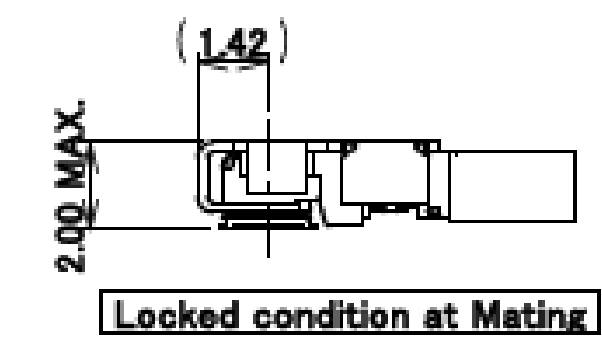
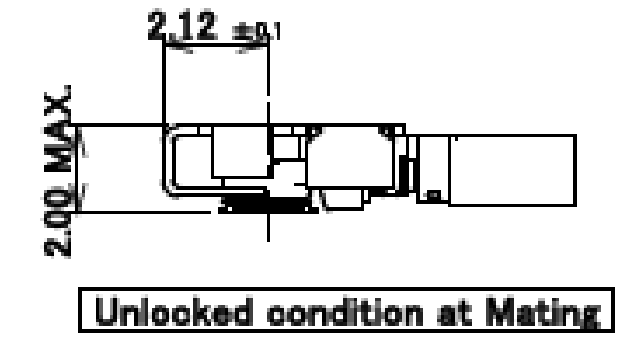
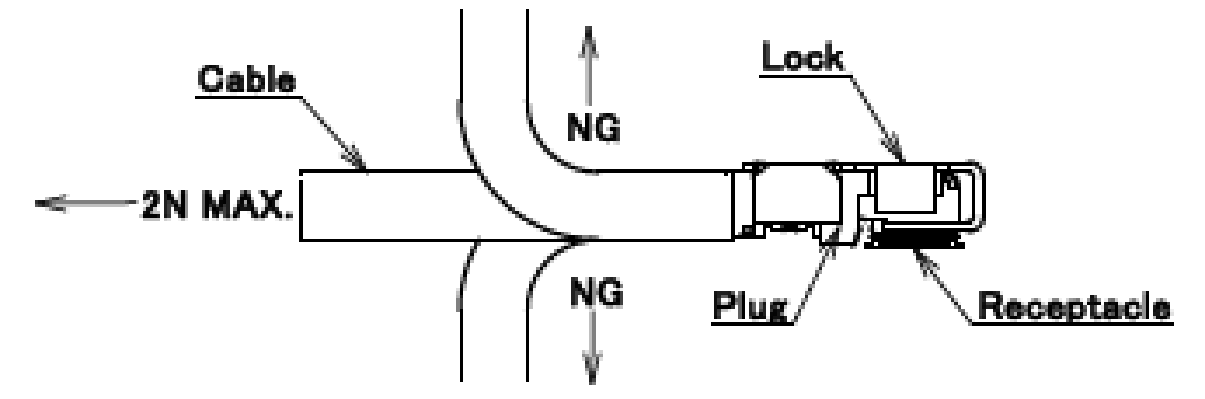


· Don't be mating with the receptacle when this condition.



NOTES

1. Constructions
 - (1) Connector : MHF4L Plug
 - (2) Coaxial cable : AWG#30 ϕ 1.37
2. Packing : Bag
3. This product is RoHS compliant.
4. Cable crimp strength : 15N MIN.
5. Permissible load of cable at mating.



Rev.0

Board to Board



High-Density



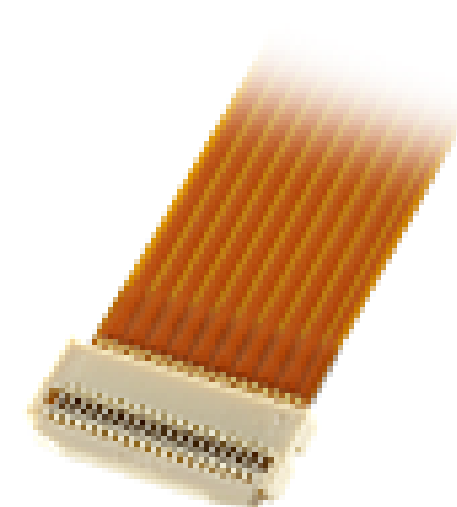
Autolocking FPC/FFC



High-Density



FPC/FFC



Micro-Coaxial / Discrete Cable



High-Speed



RF



High-Frequency



Optical Module



High-Speed



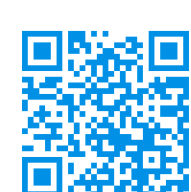
Effector



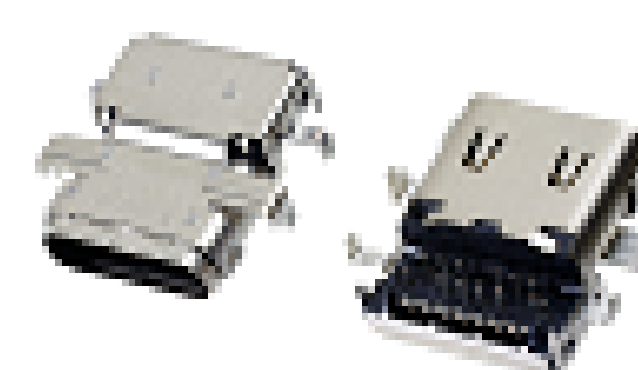
Power



High-Power



I/O (Input/Output)



Quick charge



Inquiry



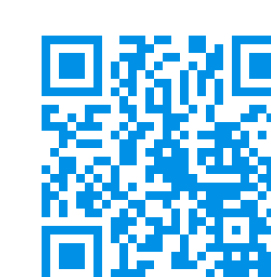
Custom Connectors Available



I-PEX, MHF, CABLINE, NOVASTACK, EVAFLEX, MINIFLEX, ISH, IARPB, IASLP, ESTORQ, ISFIT, i-Fit and ZenShield are registered trademarks of I-PEX Inc. Please note that the contents in the catalog might be changed without prior notification. I-PEX Inc. assumes no responsibility for any inaccuracies or obligation to update Information on these documents. Please be sure to read and understand the latest "Precautions for Use" and "Instruction Manual" before you use our products. We shall not be responsible for any defects, damages or troubles in case you use our products without following the precautions for use. Please feel free to contact our sales representatives when you use our products for any applications that require very high reliability and safety, or that relate to human life (ex. nuclear power control, aerospace, transportation, medical equipment, safety equipment etc.).

Contact your sales representative or more detailed information.

www.i-pex.com



I-PEX

© I-PEX Inc. 2022
All rights reserved.