

# CW CBLPM1.E1

## CERAMOS® Gen 4.H

Highly efficient lightsource, slim package design



### Applications

- Flash & Autofocus

### Features:

- Package: SMD ceramic package with silicone resin
- Chip technology: UX:3
- Typ. Radiation: 120° (Lambertian emitter)
- Color: Cx = 0.36, Cy = 0.37 acc. to CIE 1931 (● white)
- Corrosion Robustness Class: 3B
- CRI: 80 (min.), 82 (typ.)
- ESD: 2 kV acc. to ANSI/ESDA/JEDEC JS-001 (HBM, Class 2); 8 kV acc. to IEC 61000-4-2, level 4 (contact discharge)

---

## Ordering Information

Type	Luminous Flux <sup>1)</sup> $I_F = 1000 \text{ mA}$ $\Phi_v$	Ordering Code
CW CBLPM1.E1-MXMZ-R	180 ... 280 lm	Q65111A6933

---

## Maximum Ratings

Parameter	Symbol		Values
Operating Temperature	$T_{op}$	min.	-40 °C
		max.	85 °C
Storage Temperature	$T_{stg}$	min.	-40 °C
		max.	85 °C
Junction Temperature <sup>2)</sup>	$T_j$	max.	150 °C
Junction Temperature Pulse <sup>3)</sup>	$T_j$	max.	175 °C
Forward Current <sup>2)</sup> $T_s = 25\text{ °C}$	$I_F$	min.	30 mA
		max.	500 mA
Forward Current pulsed <sup>3)</sup> $D = 0.016 ; T_s = 25\text{ °C}$	$I_{F\ pulse}$	max.	2000 mA
Reverse current <sup>4)</sup>	$I_R$	max.	200 mA

## Characteristics

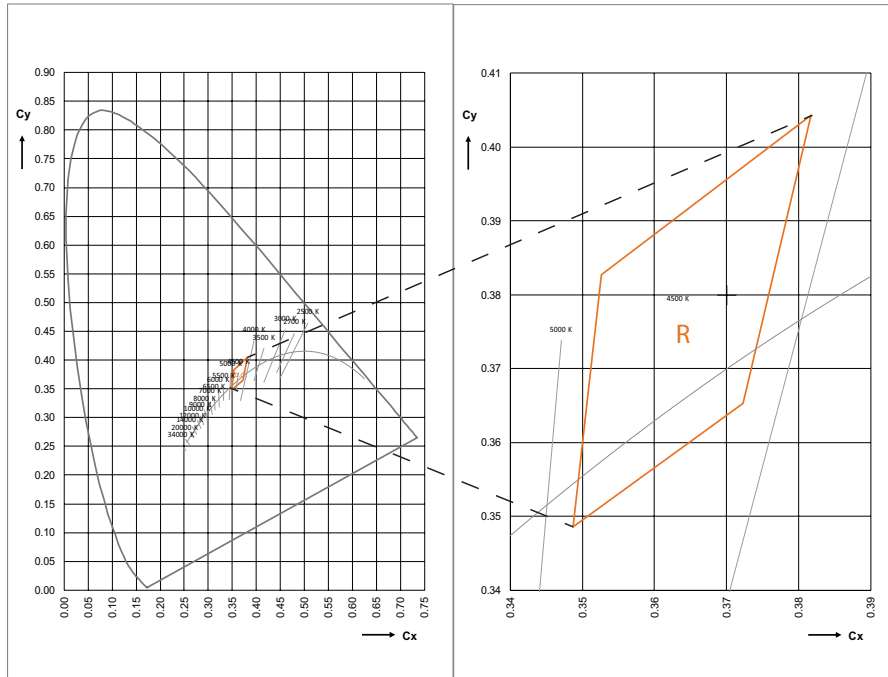
$I_F = 1000 \text{ mA}$ ;  $T_S = 25 \text{ °C}$

Parameter	Symbol		Values
Chromaticity Coordinate <sup>5)</sup>	$C_x$	typ.	0.36
	$C_y$	typ.	0.37
Viewing angle at 50% $I_V$	$2\phi$	typ.	120 °
Forward Voltage <sup>6)</sup> $I_F = 1000 \text{ mA}$	$V_F$	min.	2.70 V
		typ.	3.05 V
		max.	3.70 V
Reverse voltage (ESD device)	$V_{R\text{ESD}}$	min.	5 V
Reverse voltage <sup>4)</sup> $I_R = 20 \text{ mA}$	$V_R$	max.	1.2 V
Color Rendering Index <sup>7)</sup>	$R_a$	min.	80
		typ.	82
Electrical thermal resistance junction/solderpoint with efficiency $\eta_e = 27 \%$	$R_{thJS\text{ elec.}}$	typ.	8.0 K / W

## Brightness Groups

Group	Luminous Flux <sup>1)</sup> $I_F = 1000 \text{ mA}$ min. $\Phi_V$	Luminous Flux <sup>1)</sup> $I_F = 1000 \text{ mA}$ max. $\Phi_V$
MX	180 lm	210 lm
MY	210 lm	240 lm
MZ	240 lm	280 lm

## Chromaticity Coordinate Groups



### Chromaticity Coordinate Groups <sup>5)</sup>

Group	Cx	Cy
R	0.3526	0.3827
	0.3817	0.4043
	0.3723	0.3653
	0.3487	0.3486

### Group Name on Label

**Example: MX-R**

Brightness

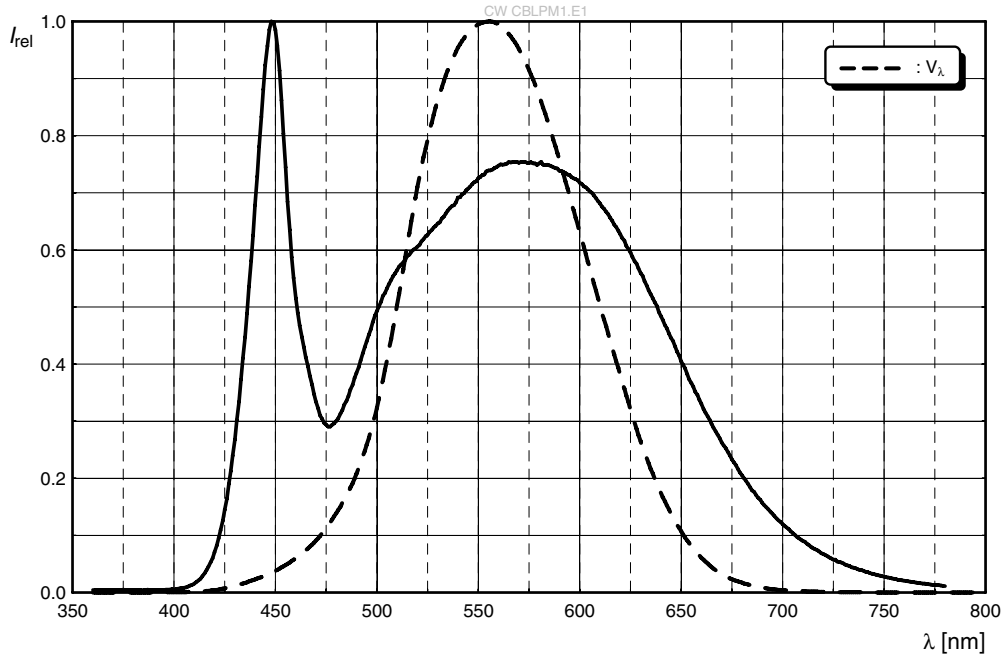
Color Chromaticity

MX

R

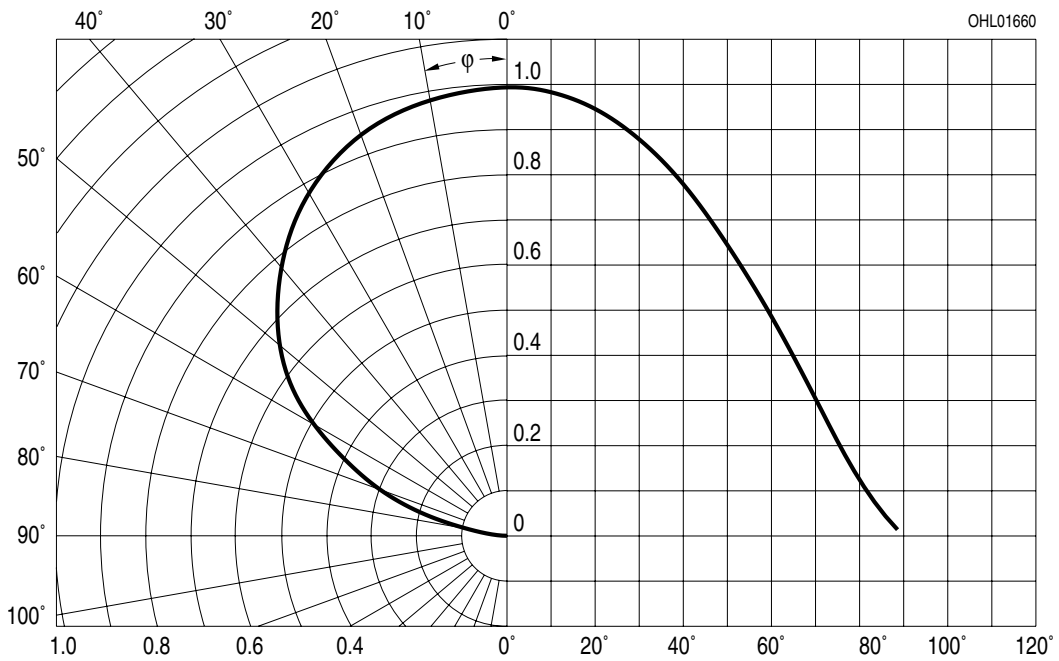
**Relative Spectral Emission** <sup>8)</sup>

$I_{rel} = f(\lambda); I_F = 1000 \text{ mA}; T_J = 25 \text{ }^\circ\text{C}$



**Radiation Characteristics** <sup>8)</sup>

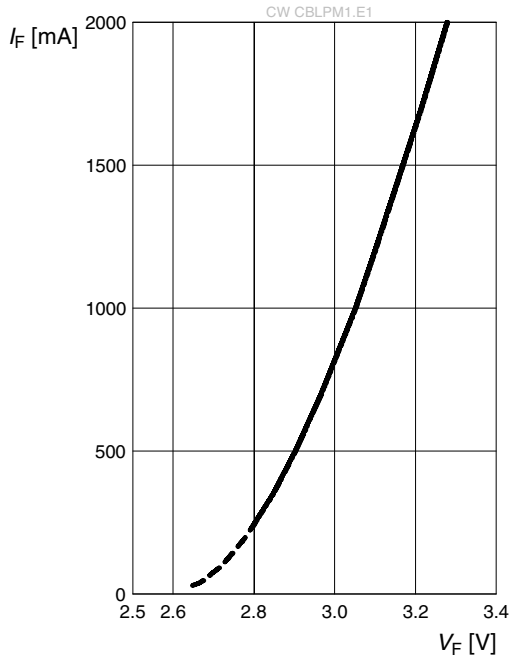
$I_{rel} = f(\phi); T_J = 25 \text{ }^\circ\text{C}$



Discontinued

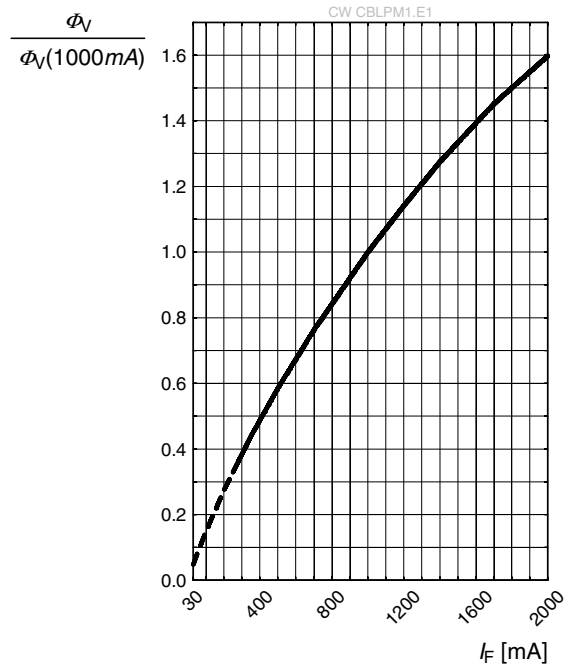
**Forward current** 8), 9)

$I_F = f(V_F); T_J = 25\text{ }^\circ\text{C}$



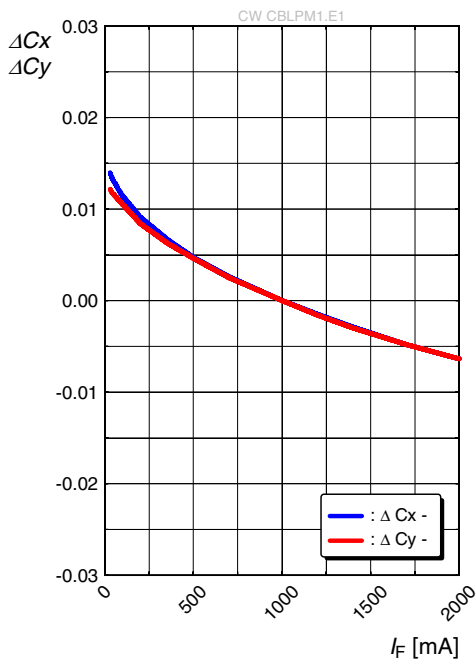
**Relative Luminous Flux** 8), 9)

$\Phi_V / \Phi_V(1000\text{ mA}) = f(I_F); T_J = 25\text{ }^\circ\text{C}$



**Chromaticity Coordinate Shift** 8)

$\Delta Cx, \Delta Cy = f(I_F); T_J = 25\text{ }^\circ\text{C}$

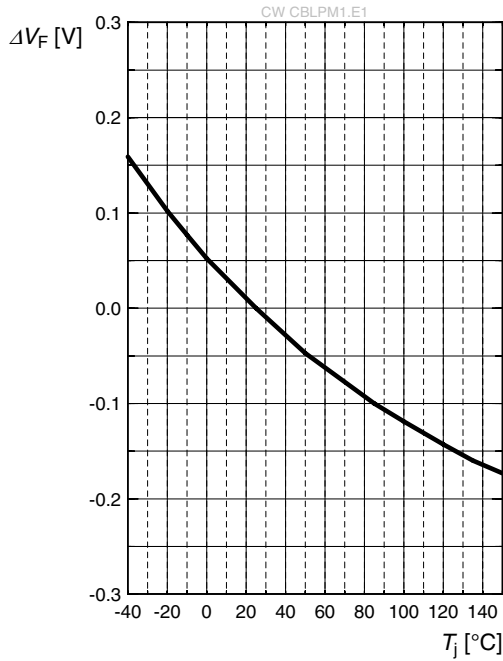


Discontinued



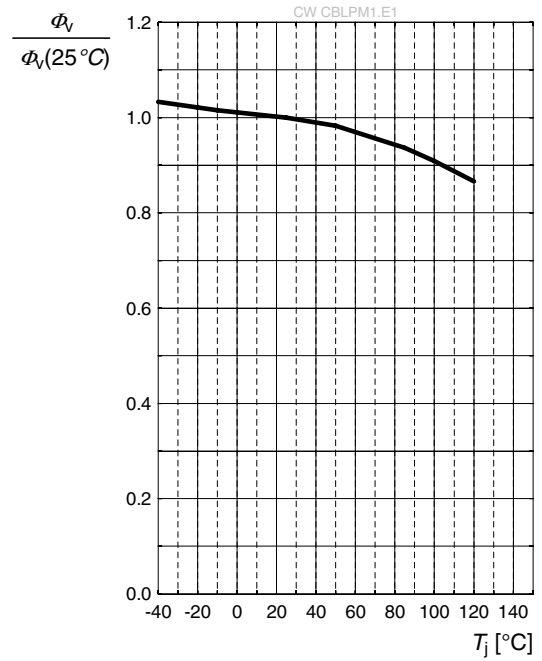
**Forward Voltage** <sup>8)</sup>

$\Delta V_F = V_F - V_F(25\text{ }^\circ\text{C}) = f(T_j); I_F = 1000\text{ mA}$



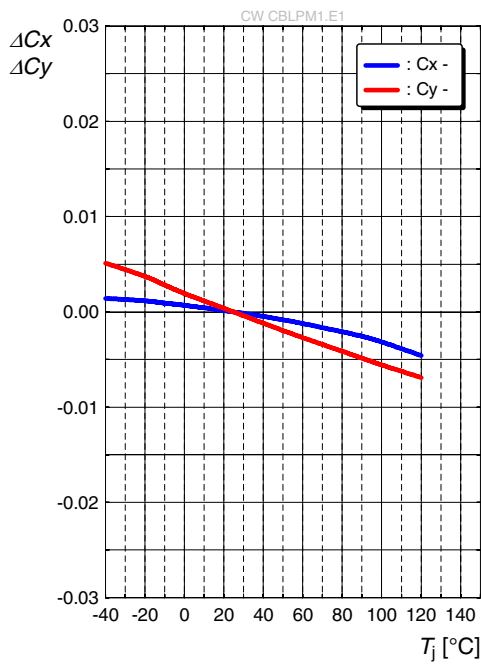
**Relative Luminous Flux** <sup>8)</sup>

$\Phi_V / \Phi_V(25\text{ }^\circ\text{C}) = f(T_j); I_F = 1000\text{ mA}$



**Chromaticity Coordinate Shift** <sup>8)</sup>

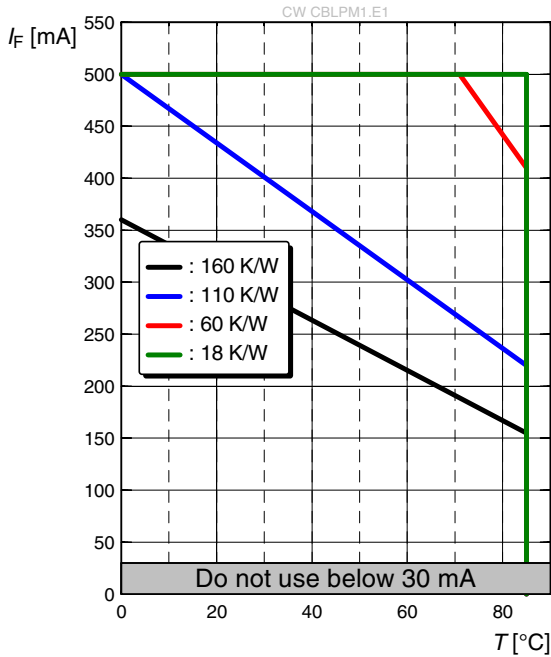
$\Delta C_x, \Delta C_y = f(T_j); I_F = 1000\text{ mA}$



Discontinued

### Max. Permissible Forward Current

$$I_F = f(T)$$



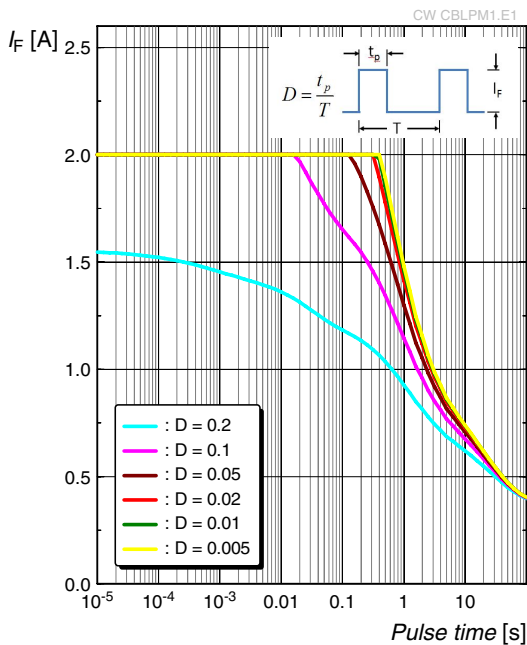
### Note:

Deratings strongly relate on the boundary conditions of each individual device:

- The DC-derating on the left represents several thermal resistance values  $R_{th JA}$  (Junction/Ambient) as examples.
- The shown pulse-deratings represent just one of alternative options for use. For further information please refer to application note „Thermal Management of Flash LEDs“.

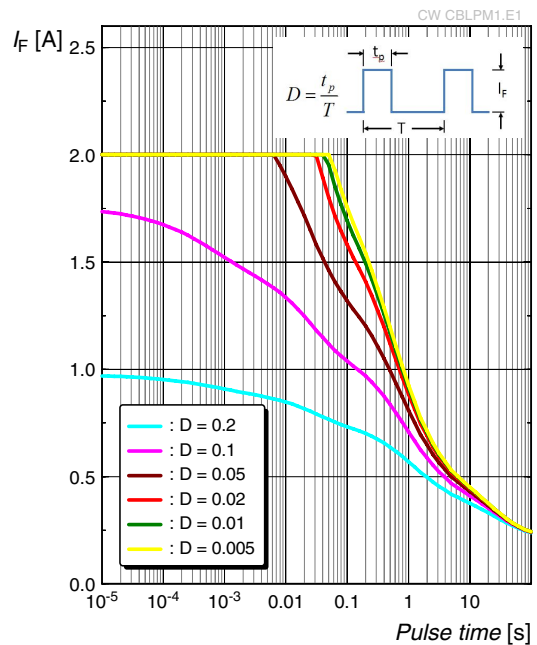
### Permissible Pulse Handling Capability

$$R_{th JA el} = 160 \text{ K/W}; T_A = 25 \text{ °C}; \text{ still air; FR4}$$



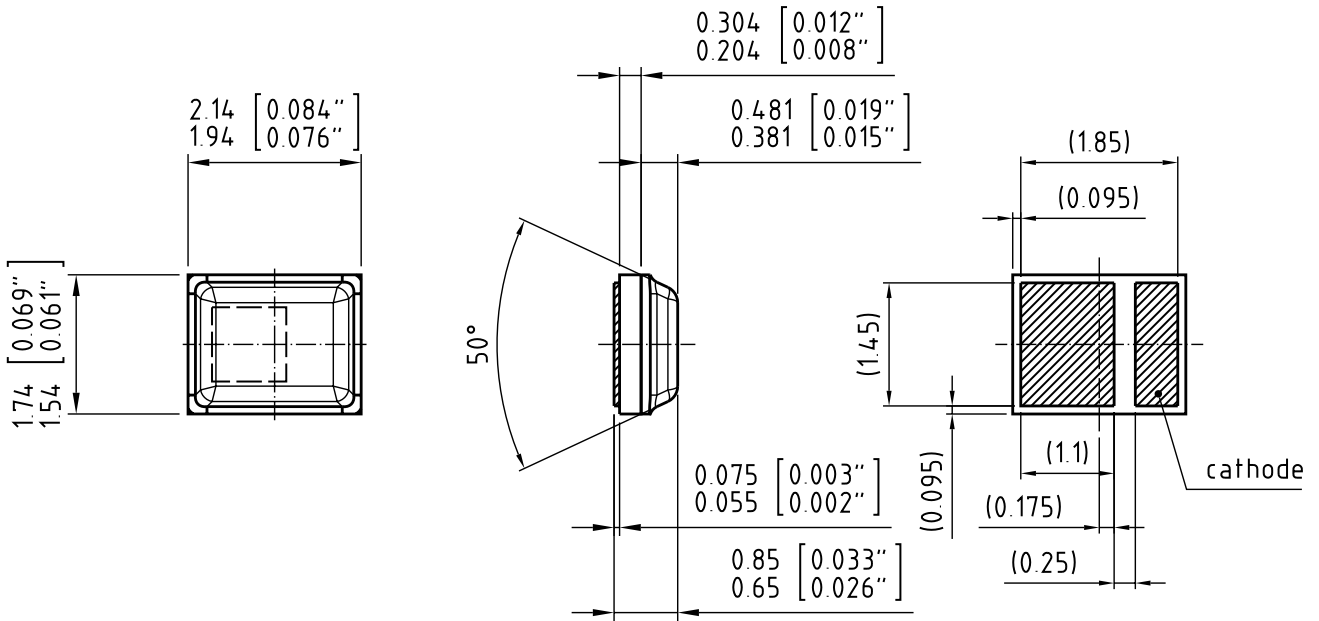
### Permissible Pulse Handling Capability

$$R_{th JA el} = 160 \text{ K/W}; T_A = 85 \text{ °C}; \text{ still air; FR4}$$



Discontinued

**Dimensional Drawing** <sup>10)</sup>



C63062-A4053-A1.-06

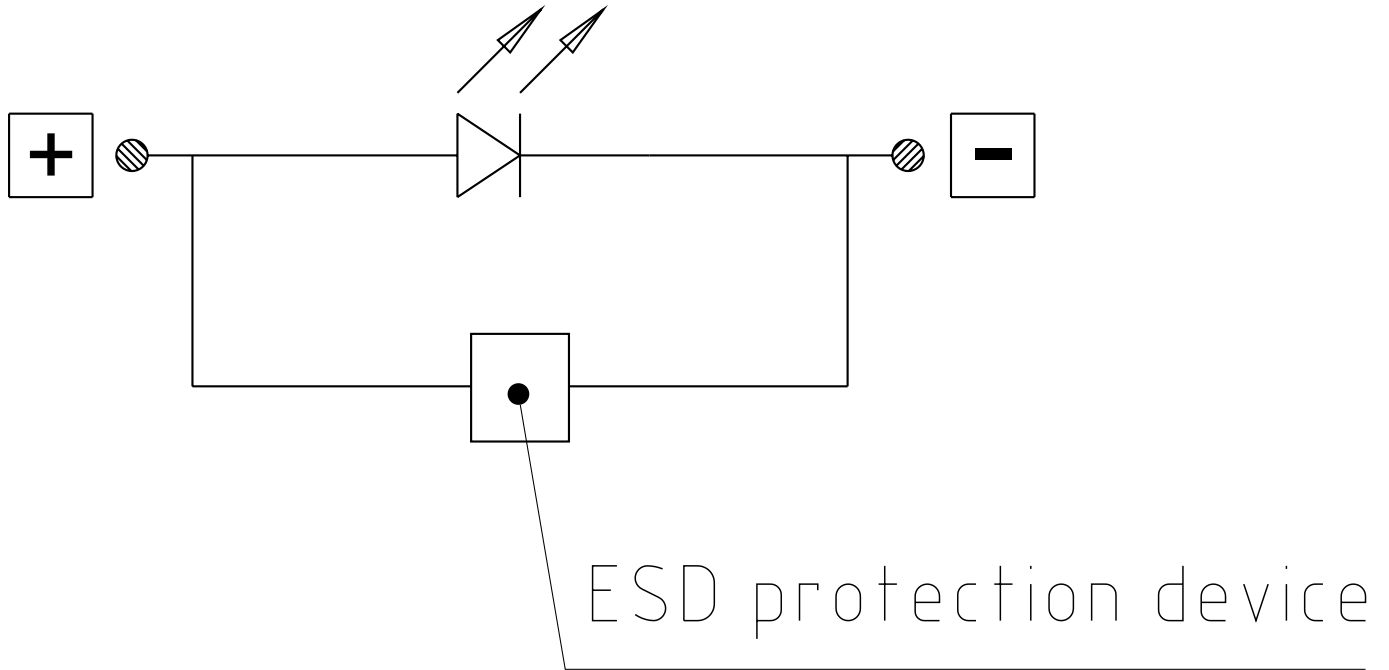
**Further Information:**

**Approximate Weight:** 8.2 mg

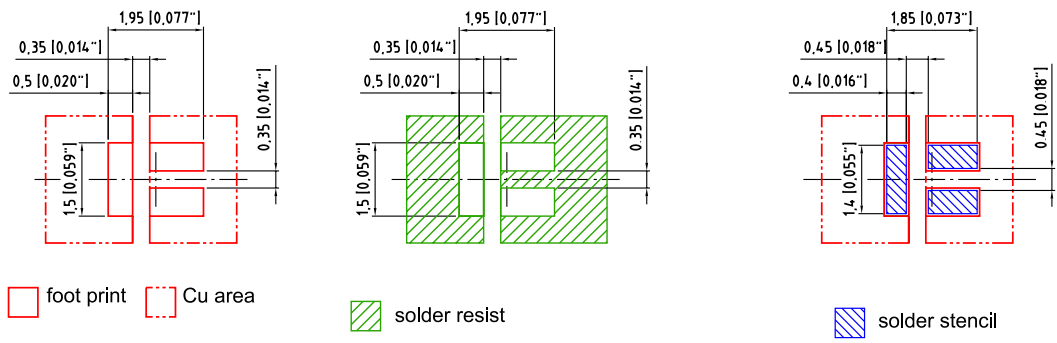
**Corrosion test:** Class: 3B  
 Test condition: 40°C / 90 % RH / 15 ppm H<sub>2</sub>S / 14 days (stricter than IEC 60068-2-43)

**ESD advice:** The device is protected by ESD device which is connected in parallel to the Chip.

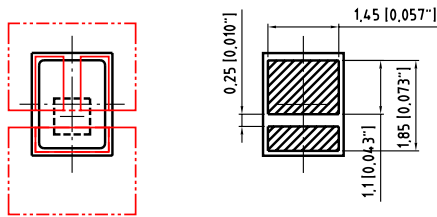
### Electrical Internal Circuit



### Recommended Solder Pad <sup>10)</sup>



Component Location on Pad



E062.3010.136 -01

For superior solder joint connectivity results we recommend soldering under standard nitrogen atmosphere. Package not suitable for ultra sonic cleaning.

Discontinued

## Reflow Soldering Profile

Product complies to MSL Level 2 acc. to JEDEC J-STD-020E

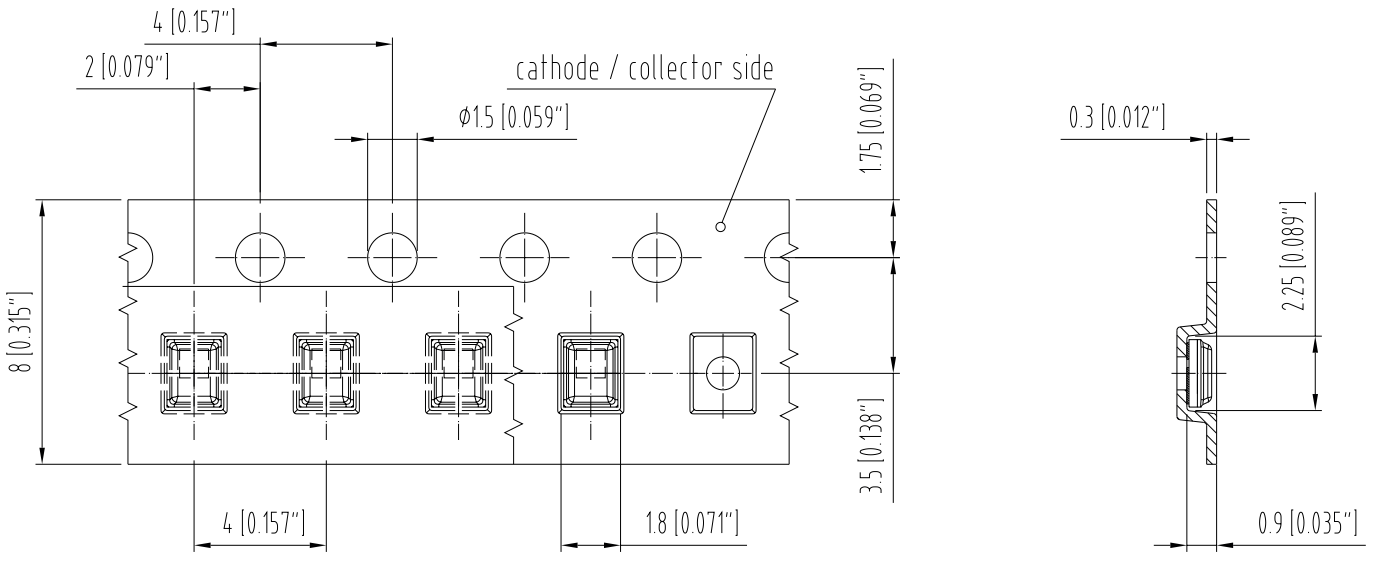


Profile Feature	Symbol	Pb-Free (SnAgCu) Assembly			Unit
		Minimum	Recommendation	Maximum	
Ramp-up rate to preheat <sup>*)</sup> 25 °C to 150 °C			2	3	K/s
Time $t_s$ $T_{Smin}$ to $T_{Smax}$	$t_s$	60	100	120	s
Ramp-up rate to peak <sup>*)</sup> $T_{Smax}$ to $T_p$			2	3	K/s
Liquidus temperature	$T_L$		217		°C
Time above liquidus temperature	$t_L$		80	100	s
Peak temperature	$T_p$		245	260	°C
Time within 5 °C of the specified peak temperature $T_p - 5$ K	$t_p$	10	20	30	s
Ramp-down rate* $T_p$ to 100 °C			3	6	K/s
Time 25 °C to $T_p$				480	s

All temperatures refer to the center of the package, measured on the top of the component  
 \*) slope calculation  $DT/Dt$ :  $Dt$  max. 5 s; fulfillment for the whole T-range

Discontinued

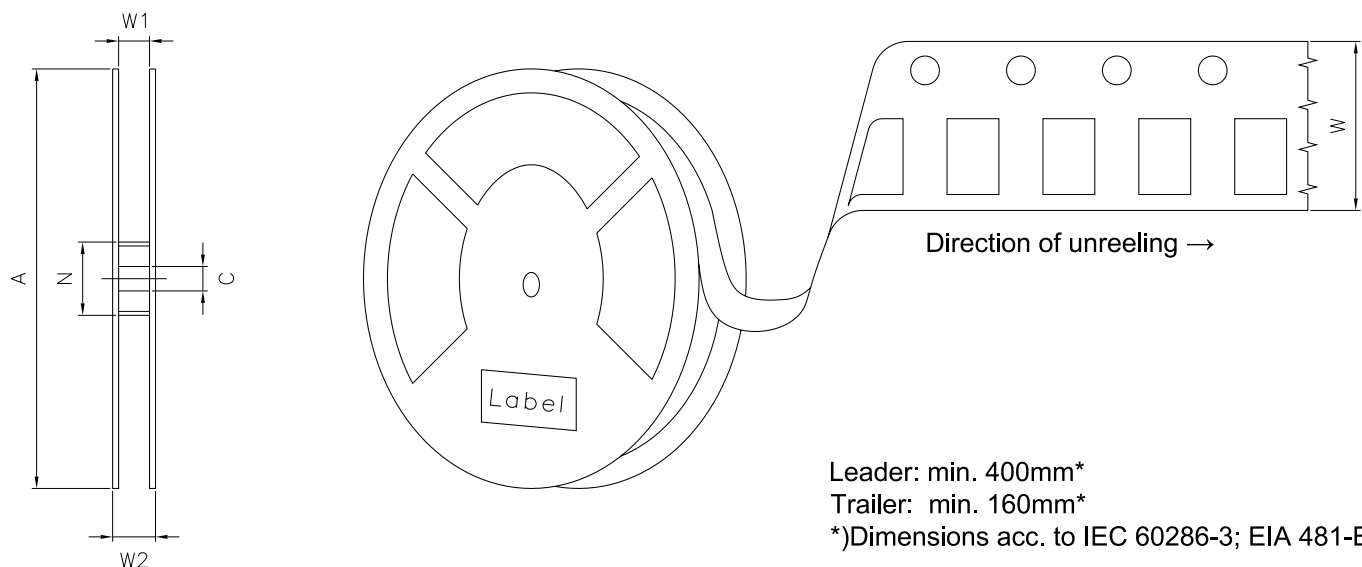
**Taping** <sup>10)</sup>



C63062-A4053-B6 -04

Discontinued

**Tape and Reel** <sup>11)</sup>



**Reel Dimensions**

A	W	N <sub>min</sub>	W <sub>1</sub>	W <sub>2 max</sub>	Pieces per PU
180 mm	8 + 0.3 / - 0.1 mm	60 mm	8.4 + 2 mm	14.4 mm	4000

Discontinued

### Barcode-Product-Label (BPL)

**OSRAM Opto Semiconductors** LX XXXX    BIN1: XX-XX-X-XXX-X

RoHS Compliant

(6P) BATCH NO: 1234567890 ML Temp    ST  
X    XXX °C X

(1T) LOT NO: 1234567890 (9D) D/C: 1234

(X) PROD NO: 123456789(Q)QTY: 9999 (G) GROUP: XX-XX-X-X

Pack: RXX  
DEMY    XXX  
X\_X123\_1234.1234 X



OHA04563

### Dry Packing Process and Materials <sup>10)</sup>



OHA00539

Moisture-sensitive product is packed in a dry bag containing desiccant and a humidity card according JEDEC-STD-033.

Discontinued



## Notes

The evaluation of eye safety occurs according to the standard IEC 62471:2006 (photo biological safety of lamps and lamp systems). Within the risk grouping system of this IEC standard, the device specified in this data sheet falls into the class **low risk (exposure time 100 s)**. Under real circumstances (for exposure time, conditions of the eye pupils, observation distance), it is assumed that no endangerment to the eye exists from these devices. As a matter of principle, however, it should be mentioned that intense light sources have a high secondary exposure potential due to their blinding effect. When looking at bright light sources (e.g. headlights), temporary reduction in visual acuity and afterimages can occur, leading to irritation, annoyance, visual impairment, and even accidents, depending on the situation.

Subcomponents of this device contain, in addition to other substances, metal filled materials including silver. Metal filled materials can be affected by environments that contain traces of aggressive substances. Therefore, we recommend that customers minimize device exposure to aggressive substances during storage, production, and use. Devices that showed visible discoloration when tested using the described tests above did show no performance deviations within failure limits during the stated test duration. Respective failure limits are described in the IEC60810.

For further application related information please visit [www.osram-os.com/appnotes](http://www.osram-os.com/appnotes)

## Disclaimer

### Attention please!

The information describes the type of component and shall not be considered as assured characteristics. Terms of delivery and rights to change design reserved. Due to technical requirements components may contain dangerous substances.

For information on the types in question please contact our Sales Organization.

If printed or downloaded, please find the latest version on the OSRAM OS website.

### Packing

Please use the recycling operators known to you. We can also help you – get in touch with your nearest sales office. By agreement we will take packing material back, if it is sorted. You must bear the costs of transport. For packing material that is returned to us unsorted or which we are not obliged to accept, we shall have to invoice you for any costs incurred.

### Product and functional safety devices/applications or medical devices/applications

OSRAM OS components are not developed, constructed or tested for the application as safety relevant component or for the application in medical devices.

OSRAM OS products are not qualified at module and system level for such application.

In case buyer – or customer supplied by buyer – considers using OSRAM OS components in product safety devices/applications or medical devices/applications, buyer and/or customer has to inform the local sales partner of OSRAM OS immediately and OSRAM OS and buyer and /or customer will analyze and coordinate the customer-specific request between OSRAM OS and buyer and/or customer.

---

## Glossary

- 1) **Brightness:** Brightness values are measured during a current pulse of typically 25 ms, with an internal reproducibility of  $\pm 8\%$  and an expanded uncertainty of  $\pm 11\%$  (acc. to GUM with a coverage factor of  $k = 3$ ).
- 2) **Operating Conditions:** Operating conditions according DC-derating (Max. Permissible Forward Current)
- 3) **Operating Conditions:** Operating conditions according Pulse-derating (Permissible Pulse Handling Capability)
- 4) **Reverse Operation:** Reverse Operation of 10 hours is permissible in total. Continuous reverse operation is not allowed.
- 5) **Chromaticity coordinate groups:** Chromaticity coordinates are measured during a current pulse of typically 25 ms, with an internal reproducibility of  $\pm 0.005$  and an expanded uncertainty of  $\pm 0.01$  (acc. to GUM with a coverage factor of  $k = 3$ ).
- 6) **Forward Voltage:** The forward voltage is measured during a current pulse of typically 8 ms, with an internal reproducibility of  $\pm 0.05$  V and an expanded uncertainty of  $\pm 0.1$  V (acc. to GUM with a coverage factor of  $k = 3$ ).
- 7) **Color reproduction index:** Color reproduction index values (CRI-RA) are measured during a current pulse of typically 25 ms, with an internal reproducibility of  $\pm 2$  and an expanded uncertainty of  $\pm 3$  (acc. to GUM with a coverage factor of  $k = 3$ ).
- 8) **Typical Values:** Due to the special conditions of the manufacturing processes of semiconductor devices, the typical data or calculated correlations of technical parameters can only reflect statistical figures. These do not necessarily correspond to the actual parameters of each single product, which could differ from the typical data and calculated correlations or the typical characteristic line. If requested, e.g. because of technical improvements, these typ. data will be changed without any further notice.
- 9) **Characteristic curve:** In the range where the line of the graph is broken, you must expect higher differences between single devices within one packing unit.
- 10) **Tolerance of Measure:** Unless otherwise noted in drawing, tolerances are specified with  $\pm 0.1$  and dimensions are specified in mm.
- 11) **Tape and Reel:** All dimensions and tolerances are specified acc. IEC 60286-3 and specified in mm.

**Published by OSRAM Opto Semiconductors GmbH** EU RoHS and China RoHS compliant product  
**Leibnizstraße 4, D-93055 Regensburg**  
**www.osram-os.com © All Rights Reserved.**



此产品符合欧盟 RoHS 指令的要求；  
按照中国的相关法规和标准，不含有毒有害物质或元素。