

DIMENSIONS IN INCHES (MILLIMETERS)
DO NOT SCALE DRAWING
Dwg. No. **CWN-352-XX-Y204**

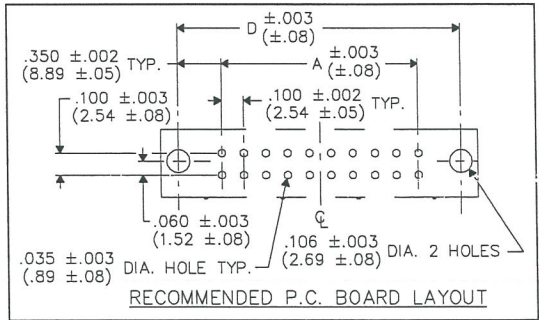
- NOTES:**
- 1) Dimensions are in inches; Dimensions in () are in millimeters.
 - 2) Metric equivalents are given for general information only, and are based upon 1.00 inches equals (25.4) millimeters.
 - 3) Polarizing feature (R2) does not appear on the 10 and 14 position connector.

MATERIALS:
PLASTIC PARTS- UL94V-0 Thermoplastic (blue, std.) flame retardant.
CONTACTS- Phosphor Bronze
CONTACT PLATING- 10µ in. gold over
 50µ in. nickel

OPERATING STANDARDS:
TEMPERATURE RATING- 125°
CONTACT RATING- 1 AMPERE.
DIELECTRIC STRENGTH- OVER 500V.D.C. AT SEA LEVEL.
INSULATION RESISTANCE- GREATER THAN 5 x 10⁹ OHMS.

CONNECTOR DIMENSIONS

XX NO. CONT'S	A	B	C	D
10	.400 (10.16)	.860 (21.84)	1.260 (32.00)	1.100 (27.94)
14	.600 (15.24)	1.060 (26.92)	1.460 (37.08)	1.300 (33.02)
16	.700 (17.78)	1.160 (29.46)	1.560 (39.62)	1.400 (35.56)
20	.900 (22.86)	1.360 (34.54)	1.760 (44.70)	1.600 (40.64)
26	1.200 (30.48)	1.660 (42.16)	2.060 (52.32)	1.900 (48.26)
34	1.600 (40.64)	2.060 (52.32)	2.460 (62.48)	2.300 (58.42)
40	1.900 (48.26)	2.360 (59.44)	2.760 (70.10)	2.600 (66.04)
50	2.400 (60.96)	2.860 (72.64)	3.260 (82.80)	3.100 (78.74)
60	2.900 (73.66)	3.360 (85.34)	3.760 (95.50)	3.600 (91.44)



**CUSTOMER
DRAWING ONLY**

1	2	3	4	5	6	7	8	9	10
<p style="text-align: center;">ATTENTION</p> <p style="text-align: center;">THIS DRAWING AND ITS ATTACHMENTS, IF ANY, ARE PROPRIETARY TO CW INDUSTRIES AND DESCRIBE DESIGNS THAT ARE CONFIDENTIAL AND MUST NOT BE DISCLOSED UNLESS AUTHORIZED, IN WRITING, BY AN OFFICER OF CW INDUSTRIES.....</p>									

FORM-B3

REVISIONS

0	RELEASED. DGW 3-15-2000
1	1-72 Was 2-56 in top view. DGW 12-19-2017

APR 13 2018 0 0 2018

 Southampton, Pa. 18966	Title: P.C.B. HEADER
	.100 x .100 CTR.S
TOLERANCES UNLESS OTHERWISE SPECIFIED 2 Place Decimal ±.010 METRIC 3 Place Decimal ±.005 1 Place Dec. ±.25mm Angles ±1° 2 Place Dec. ±.13mm	.090" STRAIGHT CONTACTS W/POLARIZ. RIB(S), LATCHES & MOUNTING STUDS
Made for: CW IND.	Division: CONNECTOR
Drawn by: DGW 3-15-2000	Dwg. No. CWN-352-XX-Y204
Checked by: G.Gold 3-16-00	
Approval: A.HOSFELD 3-17-00	

MASTER