

4

3

2

1

COPYRIGHT ©2012
NATIONAL INSTRUMENTS CORPORATION AND ITS LICENSORS. ALL RIGHTS RESERVED.

D

D

C

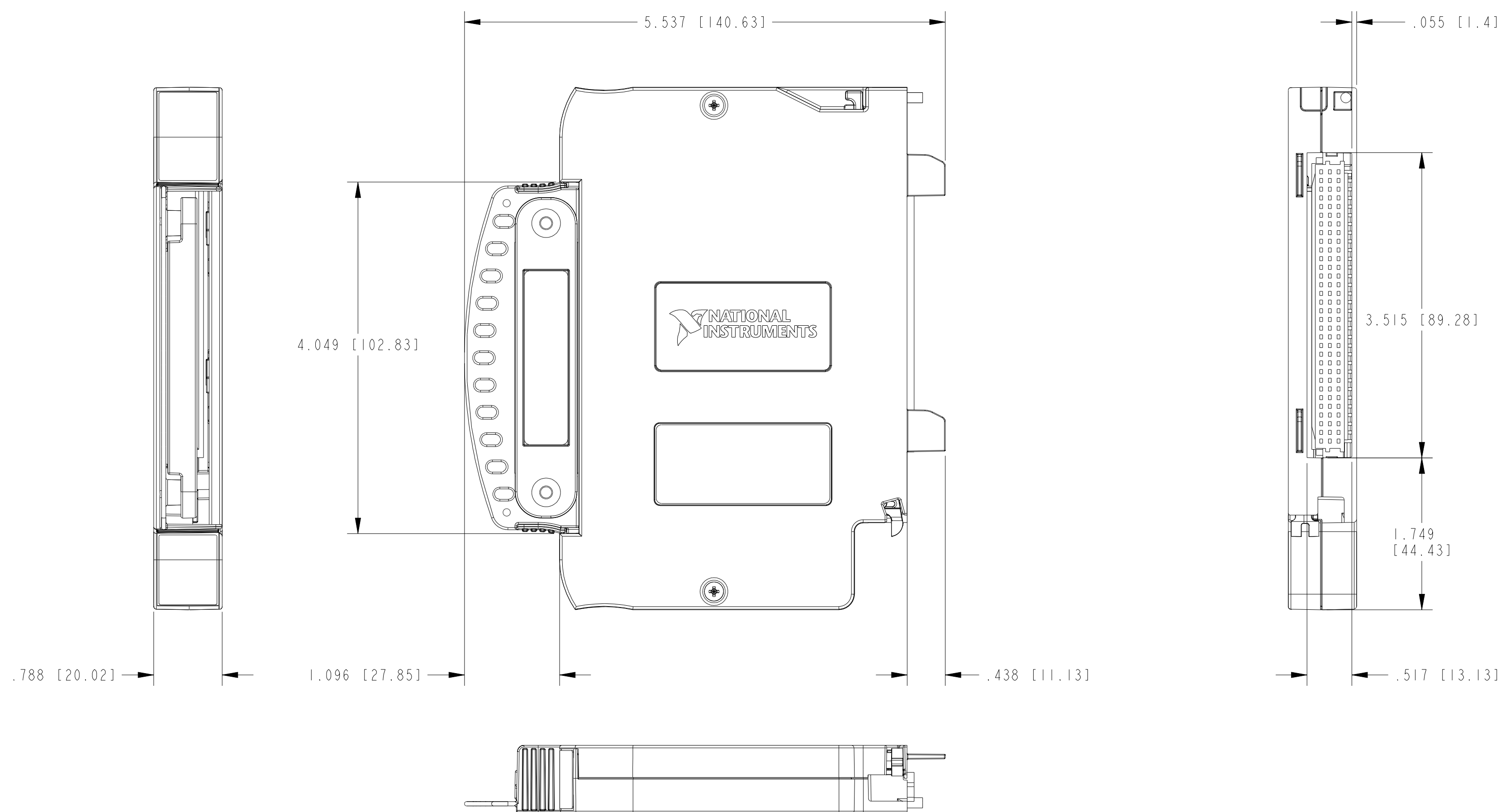
C

B

B

A

A

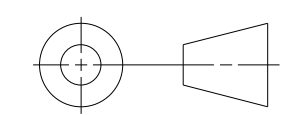


CUSTOMER DRAWING

UNLESS OTHERWISE SPECIFIED
DIMENSIONS ARE IN INCHES AND
[MILLIMETERS].

DO NOT SCALE DRAWING

THIRD ANGLE PROJECTION



| | | | |
|--|-------|---------------|------------|
| | | AUSTIN, TEXAS | |
| TITLE | | | |
| PXIE SIGNAL CONDITIONING TERMINAL BLOCK, NI TB-4357 | | | |
| SIZE | CODE | IDENT NO. | MM/DD/YYYY |
| C | 7U296 | | 02/10/2012 |
| SCALE: | 1/1 | SHEET | 1 OF 1 |

4

3

2

1