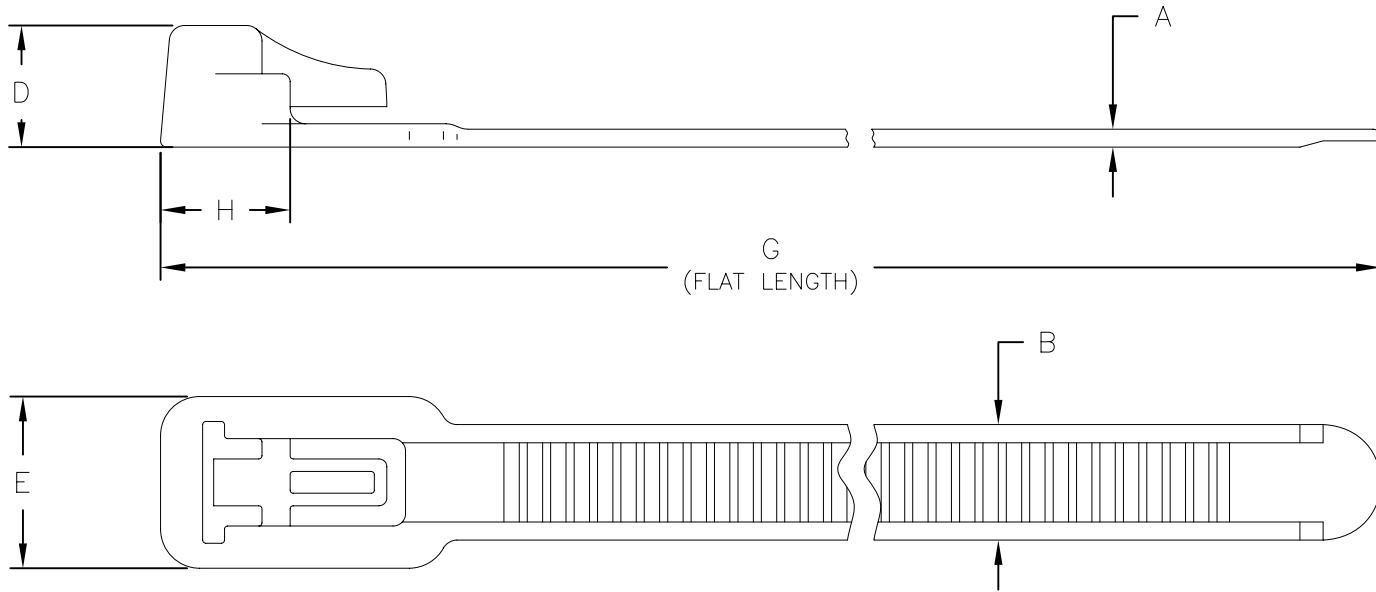


Revision level		Revision Record	Changed	Date	Approved	Date
part	drawing					
C	01	See ECN 002672	A.A.C.	07/06/01		



PRODUCT CODE DESCRIPTION

REL50R
 └── COLOR
 (CONSULT FACTORY FOR AVAILABLE COLORS)

Group Number (UNS)	Product Code	Cable Range (mm)	Material	A	B	D	E	G	H	Min Loop Tensile Strength (newtons)
-	REL50R_	2 to 35	PA66	1.2 ±0.2	7.4±0.2	7.8 ±0.5	10.7 ±0.5	140.0 ±5.0	8.3 ±0.5	225
-	REL50R_HS		PA66HS							

SEE CHART

Material

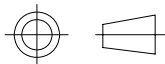
Dimension tolerances unless otherwise specified

- .XXXX =
- .XXX =
- .XX =
- .X = NOTED
- < =

Dimension Units mm

PERFORMANCE SPECIFICATION

ACAD 2000



Drawn

A.A.C.

07/06/01

Approved

Scale

1:1

Computer File Number
CT\CST\2053004_01

Title

**REL50R
 RELEASABLE CABLE TIES**

Drawing-No

CT2053004CST

Format

AH

Sheet 1 of 1

ALL PROPRIETARY RIGHTS IN THE SUBJECT MATTER SHOWN ON THIS DRAWING ARE EXCLUSIVE PROPERTY OF HELLERMANN TYTON

HellermannTyton®

7930 N. Faulkner Rd.
 Milwaukee, WI 53224
 Ph: (414) 355-1130
 Fx: (414) 362-8338