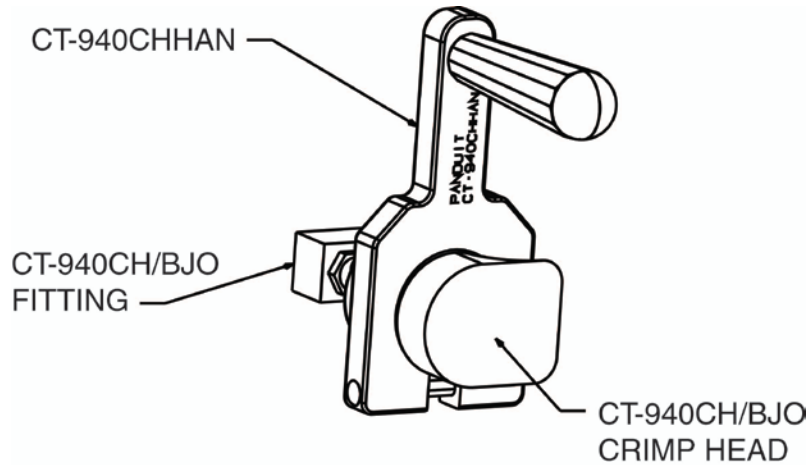
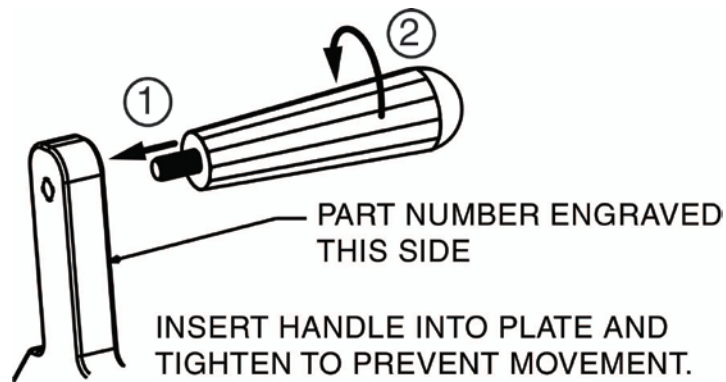


ASSEMBLY INSTRUCTIONS

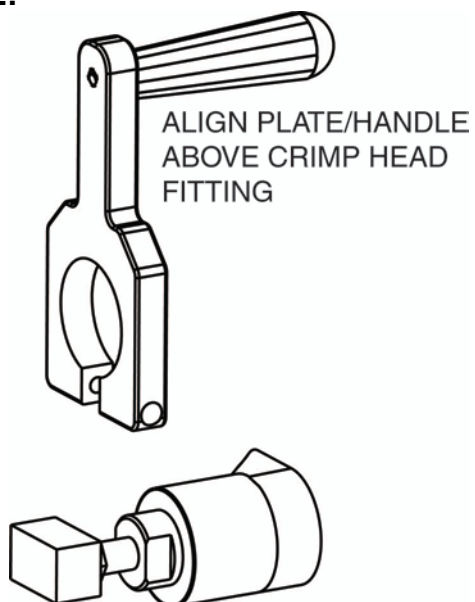
© Panduit Corp. 2018



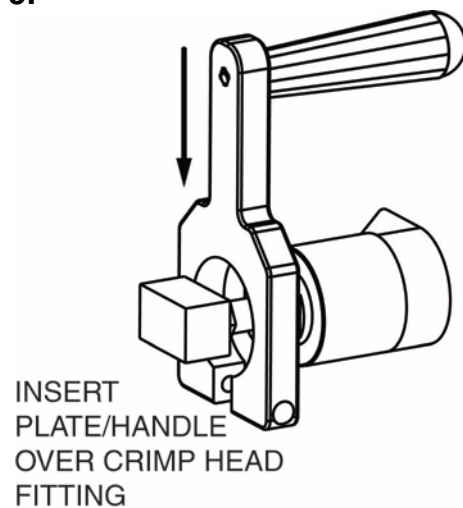
STEP 1:



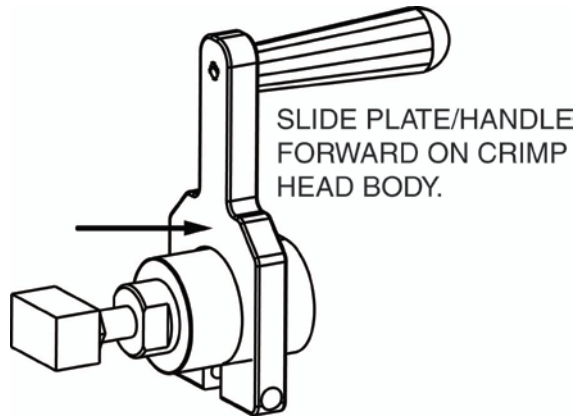
STEP 2:



STEP 3:

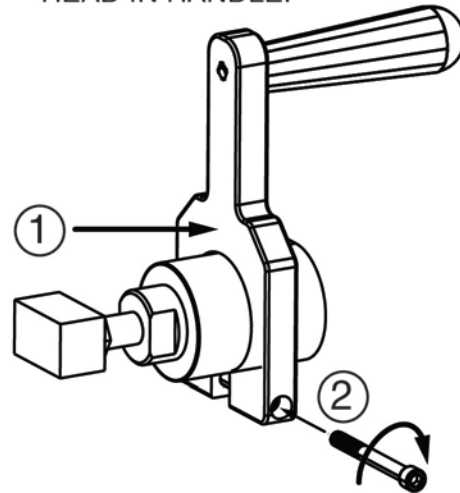


STEP 4:



STEP 5:

1. ORIENT CRIMP HEAD TO HANDLE AS DESIRED.
2. INSERT BOLT AND TIGHTEN TO PREVENT MOVEMENT OF CRIMP HEAD IN HANDLE.



Email:
techsupport@panduit.com

EU Website:
www.panduit.com/emea

EU Email:
emeatoolservicecenter
@panduit.com

PANDUIT

www.panduit.com

Panduit Corp.
USA Technical Support
Tel: 800-777-3300

Panduit Europe • EMEA Service Center
Tel: +31 546 580 452 • Fax: +31 546 580 441