

Part Detail

Please see the details of the part you have configured. Note that Carling reserves the right to change product details and specification without prior notice.

Catalog Number

CSW-1A1A0B2-002

Specifications

Part Number: CSW-1A1A0B2-002

CSW SERIES COMBINATION SWITCH

PUSHBUTTON CIRCUIT: SINGLE POLE; MOMENTARY ON

ROTARY CONTROL CIRCUIT: 4 POSITIONS

LEVER CONTROL CIRCUIT: ON-OFF-ON SINGLE POLE

PUSHBUTTON RATING: 10A 12VDC

ROTARY AND LEVER RATING: 15A 12VDC

WIRE HARNESS & CONNECTORS: NO HARNESS

ROTARY CONTROL ORIENTATION: RIGHT

WIRE: 9 WIRES, 8.26 INCHES [210 mm]

BEZEL LEGEND GROUPING 2

Additional Comments

CSW-Series

Combination Switch

[PRODUCT WEBPAGE](#)

request sample, configure part



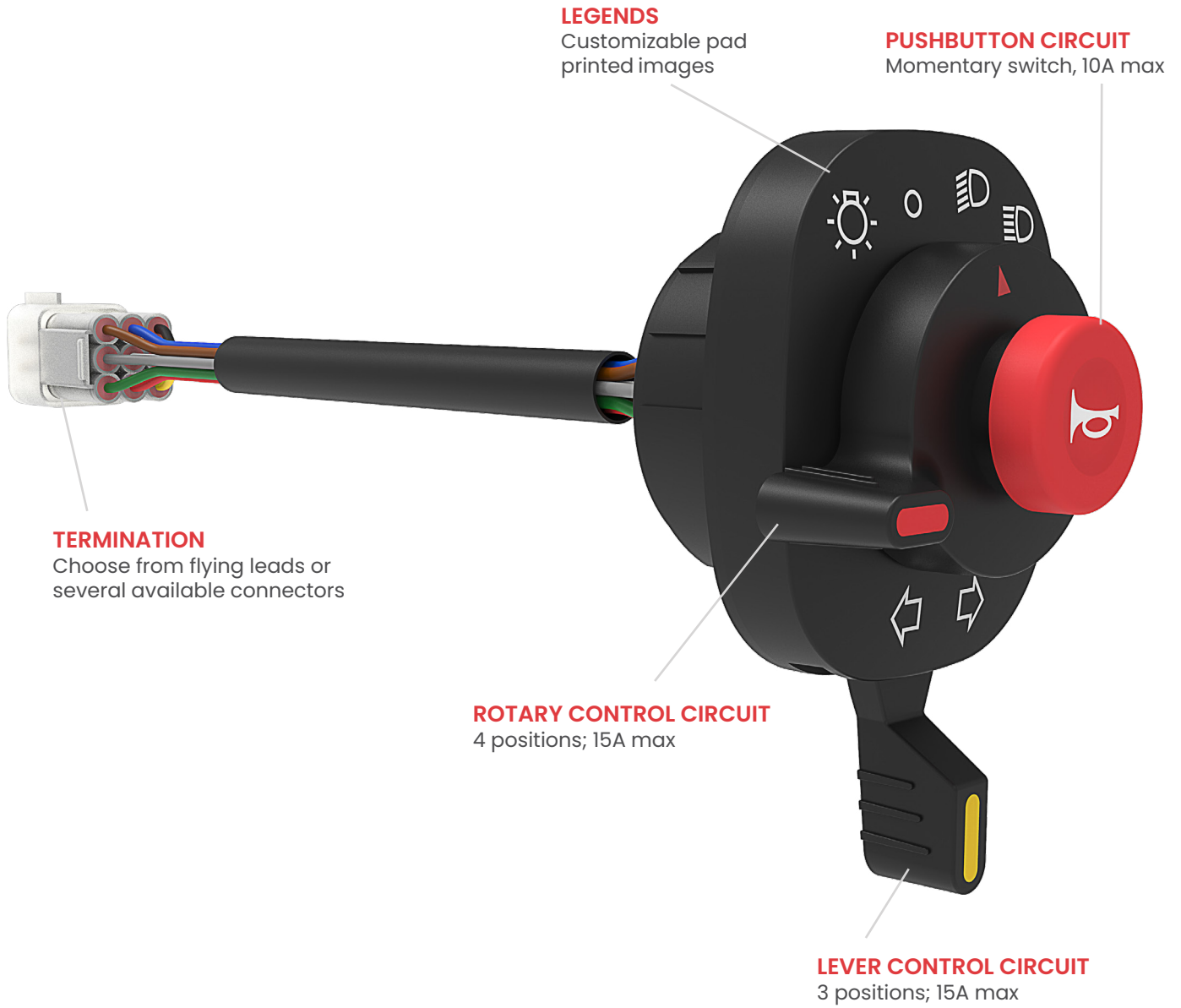
The CSW-Series is a versatile combination switch featuring a multi-position rotary, a three-position lever, and momentary pushbutton functions. This compact switch offers superior current ratings, IP67 sealing protection, customizable legends and it is compatible with a variety of popular connectors.

1 Pole **10-15** Amps **12** VDC **IP67 Sealing**
 Above-Panel

Typical Applications

- Commercial Vehicles
- Recreational Vehicles
- Lawn & Garden Equipment
- Any Application Requiring Sealing Protection

Design Features



Tech Specs

Electrical

Contact Rating	Pushbutton: 10A 12V Lever: 15A 12V Rotary: 15A 12V
Withstand High Voltage	ISO 16750-2 4.11, 500Vrms (50Hz to 60 Hz) with a duration of 60s
Insulation Resistance	Minimum 5000MΩ for 1 min @ 500VDC between terminals & housing
Life	30,000 cycles (6,000 cycles at -40°C, 18,000 cycles at ambient, 6,000 cycles at 85°C).
Contact	AgSnO2
Terminals	Copper Alloy, in connector
Voltage Requirement	12 VDC
Operating Voltage	9 – 16 VDC

Physical

Function	Pushbutton switch, rotary control switch, lever control switch														
Seals	Silicone														
Mounting	Front panel mount, see dimensional specifications page														
Base	PC+ABS														
Actuator	PC+ABS														
Bracket	Glass-filled Nylon PA6														
Connector	Can be customized														
<table border="1"> <thead> <tr> <th>Connector Part Number</th> <th>Mating Connector Part Number</th> </tr> </thead> <tbody> <tr> <td>DJ7101-6.3-21</td> <td>DJ7101-6.3-11</td> </tr> <tr> <td>DJ7101-2.3-11</td> <td>DJ7101-2.3-21</td> </tr> <tr> <td>DJ0116-6.3-11</td> <td>DJ0116-6.3-21</td> </tr> <tr> <td>DJ7091Y-2.3-11</td> <td>DJ7091Y-2.3-21</td> </tr> <tr> <td>TE:174657-2</td> <td>TE:174655-2</td> </tr> <tr> <td>DJ7091Y-2.3-21</td> <td>DJ7091Y-2.3-11</td> </tr> </tbody> </table>		Connector Part Number	Mating Connector Part Number	DJ7101-6.3-21	DJ7101-6.3-11	DJ7101-2.3-11	DJ7101-2.3-21	DJ0116-6.3-11	DJ0116-6.3-21	DJ7091Y-2.3-11	DJ7091Y-2.3-21	TE:174657-2	TE:174655-2	DJ7091Y-2.3-21	DJ7091Y-2.3-11
Connector Part Number	Mating Connector Part Number														
DJ7101-6.3-21	DJ7101-6.3-11														
DJ7101-2.3-11	DJ7101-2.3-21														
DJ0116-6.3-11	DJ0116-6.3-21														
DJ7091Y-2.3-11	DJ7091Y-2.3-21														
TE:174657-2	TE:174655-2														
DJ7091Y-2.3-21	DJ7091Y-2.3-11														
Actuation force	Pushbutton: Momentary (ON)-OFF Single Pole: 17.3+/-3.5 N Maintained ON-OFF: 14.5+/-1.5 N Rotary Control: 0.42+/-0.20 N.m Lever Control: 0.13+/-0.06 N.m														
Weight	Approx. 0.2 lbs [91g]														
Depth behind panel	1.10" [28.5 mm] (to bottom of header)														

Environmental

Operating Temp.	-40 °C to +85 °C.
Vibration	Random test IEC 60068-2-64: Random excitation at 10,150, 220 and 350 Hz breakpoint frequencies, 5 hours in each axis, gn=5g.General IEC 60068-2-6: Swept sine wave from 5-500Hz, +/-15mm amplitude, gn=5g, 20 cycles in each plane, 15 min/cycle.Resonance IEC 60068-2-6: Sinusoidal from 10-2000Hz, 5 minutes at resonant point, gn=5g
Shock	IEC 60068-2-27, 3 shocks in each axis (18 total) with 50g acceleration for 11ms pulse duration.
Handling/Drop	Free drop from 1000mm height, no breakage after 3 drops
Thermal Cycle	IEC 60068-2-14 Test Nb, -40°C to +85°C 2 cycles of 8 hours each
Salt Spray	IEC 60068-2-52 Test Kb, severity level 4 (14 days)
Thermal Shock	IEC 60068-2-14 Test Na, -40°C to +85°C 1 hour per cycle (30 minutes at each temperature) for 10 cycles
Humidity Cycle	IEC 60068-2-30 Test Db, 6 cycles
Hot soak	IEC 60068-2-2, 85°C for 96 hours
Cold soak	IEC 60068-2-1, Test Bb, -40°C for 96 hours
Humidity soak	IEC 60068-2-78, Test Cab, 30°C & RH 93% for 240 hours
Corrosion/Chemical Splash	ISO 16750-5, for engine oil, hydraulic oil, diesel fuel, grease and urea at 85°C & RH 60%
Sealing	IP67, for above-panel components of the actual switch
UV protection	ISO 4982-2, 1000hr Xenon Arc, 0.51W/m2*nm at 340nm, per cycle 102mins light / 18mins light and spray, BP temp. 65°C, air temp. 38°C, RH50%

Ordering Scheme

Sample Part Number **CSW - 1 A 1 A 1 A 1 - 000**

Selection 1 2 3 4 5 6 7 8 9

1. SERIES

CSW CSW-Series Combination Switch

2. PUSHBUTTON CIRCUIT

- 1 Momentary (ON)-OFF Single Pole
- 2¹ Maintained ON-OFF

3. ROTARY CONTROL CIRCUIT

- A 4 Positions
- B 3 Positions (Position 2 OFF)
- C 2 Positions
- D² 3 Positions (Position 1 OFF)

4. LEVER CONTROL CIRCUIT

- 1 ON-OFF-ON Single Pole
- 2 None

5. RATINGS

- A Pushbutton: 10A @ 12VDC
- Rotary: 15A @ 12VDC
- Lever: 15A @ 12VDC

6. CONNECTORS

	Connector Manufacturer*	Manufacturer Part Number	Number of Terminals	Sealed
0	None	N/A	N/A	N/A
1	Boer Electrical	DJ7101-6.3-21	10	No
2 ³	Yueqing Jinhai	DJ7101-2.3-11	10	No
		DJ70116-6.3-11	1	No
3	Cnly	DJ7091Y-2.3-11	9	Yes
4	TE Connectivity	TE: 174657-2	10	Yes
5	Boer Electrical	DJ7091Y-2.3-21	9	Yes

* Note: Or equivalent

7. ROTARY ORIENTATION

- A Left
- B Right

8. WIRE

- 1 Varies: 6.30 inches [160 mm]
- 2 Varies: 8.26 inches [210 mm]
- 3⁴ 9 Wires: 11.40 inches [290 mm]
- 1 Wire: 12.60 inches [320 mm]

9. LEGENDS see next page for legend artwork

- 000 No Legend
- 001 Legend 1
- 002 Legend 2
- 003 Legend 3
- 004 Legend 4
- 005 Legend 5
- 006 Legend 6
- 007 Legend 7
- 008 Legend 8
- 009 Legend 9
- 010 Legend 10
- 011 Legend 11
- 012 Legend 12
- XXX Custom Legends

Consult factory for additional legends.

Notes:

- 1 Must use selection B from box 7
- 2 Must use selection 1 from box 4
- 3 Must use selection 3 from box 8
- 4 Must use selection 2 from box 6

 [Configure Complete Part Number >](#)

Ordering Scheme Legend Artwork

9. LEGENDS

001



002



003



004



005



006



007



008



009



010



011



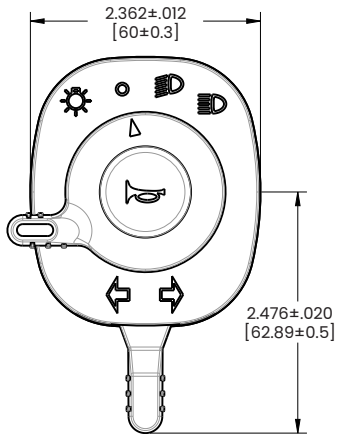
012



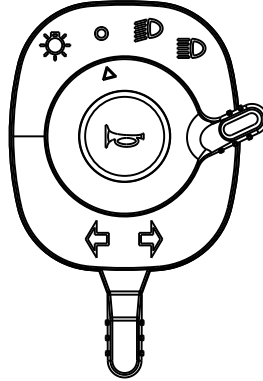
Dimensional Specs

inches [millimeters]

ROTARY KNOB OPTION 1:
LEFT ROTARY KNOB



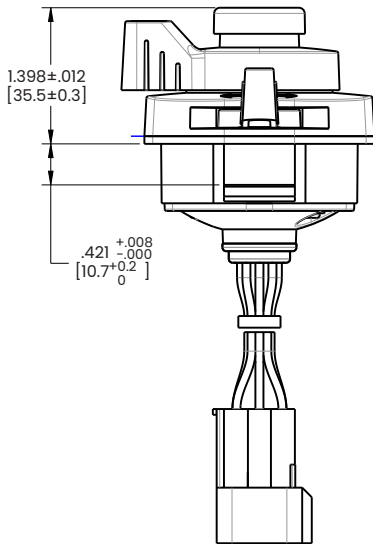
ROTARY KNOB OPTION 2:
RIGHT ROTARY KNOB



LEGEND SHOWN HERE IS ONLY AN EXAMPLE
LEGEND MAY VARY BASED ON REQUEST

THE WIRE COLOR

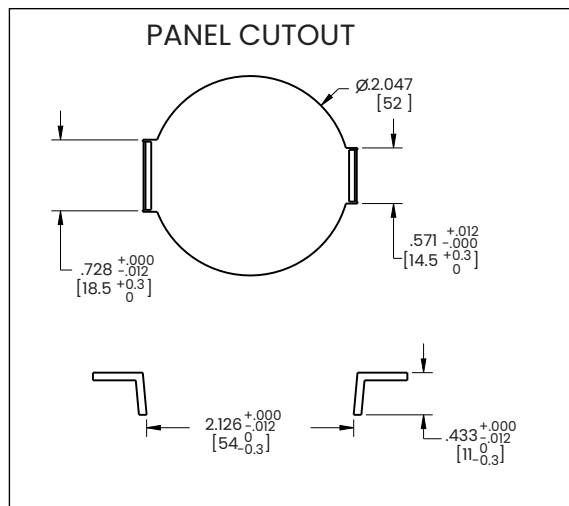
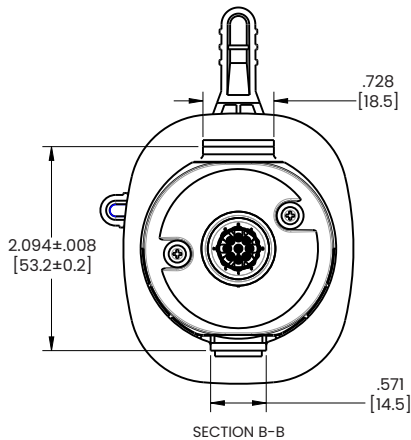
WIRE NO.	WIRE COLOR	WIRE NO.	WIRE COLOR
1	PURPLE	6	RED
2	GREEN	7	GRAY
3	BLACK	8	BROWN
4	YELLOW	9	BLUE
5	WHITE		



SWITCH WIRING DIAGRAM

SWITCH POSITION	TERMINAL
	9 — 1
	9 — 1, 3
	9 — 5, 1

SWITCH POSITION	TERMINAL
	2 — 7
	2 — 6
	8 — 4



Authorized Sales Representatives and Distributors

Click on a region of the map below to find your local representatives and distributors or visit www.carlingtech.com/findarep.



About Carling

Founded in 1920, Carling Technologies is a leading manufacturer of electrical and electronic switches and assemblies, circuit breakers, electronic controls, power distribution units, and multiplexed power distribution systems. With six ISO9001 and IATF16949 registered manufacturing facilities and technical sales offices worldwide, Carling Technologies Sales, Service and Engineering teams do much more than manufacture electrical components, they engineer powerful solutions! To learn more about Carling please visit www.carlingtech.com/company-profile.

To view all of Carling's environmental, quality, health & safety certifications please visit www.carlingtech.com/environmental-certifications.

© Carling Technologies, Inc.

7. Carling is a registered trademark of Carling Technologies, Inc. in the U.S. and other countries.