

4

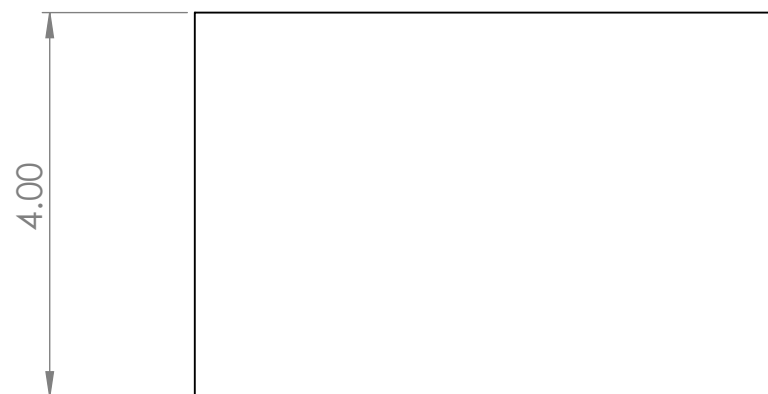
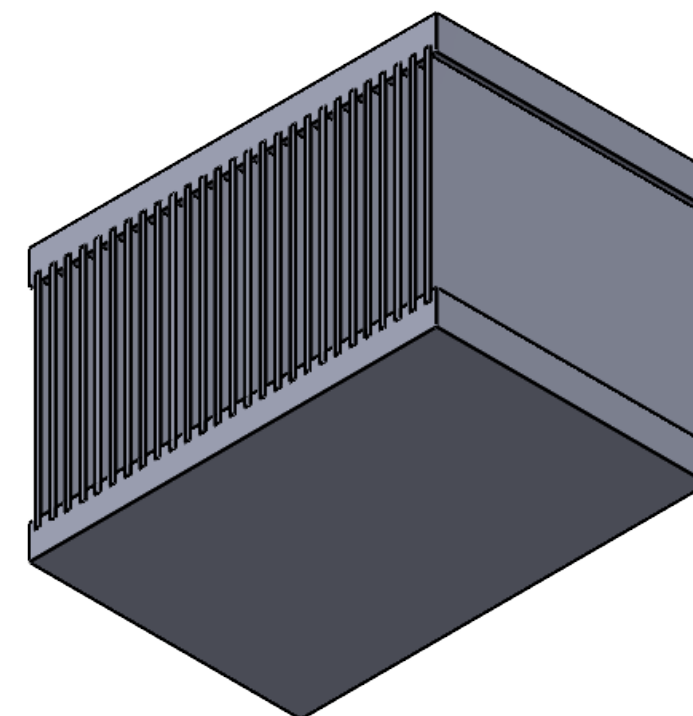
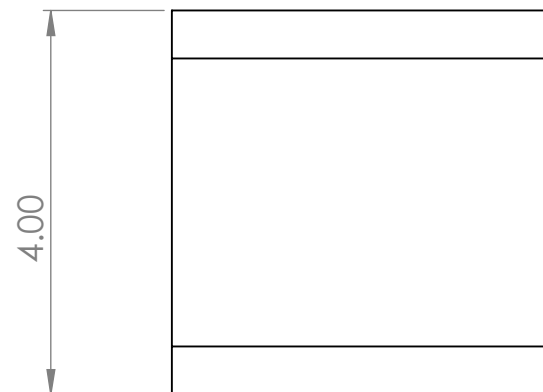
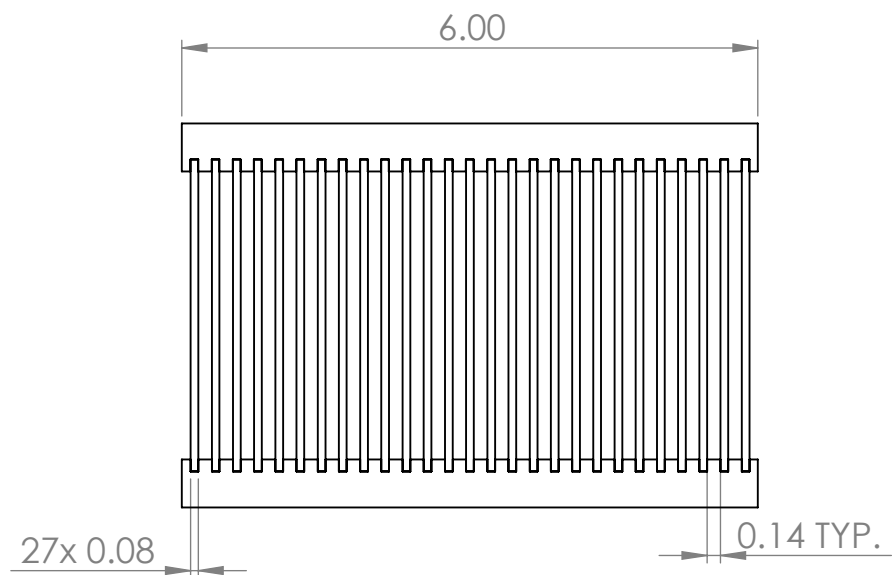
3


2

1

NOTE: UNLESS OTHERWISE SPECIFIED

1. MATERIAL: 6061-T6 Aluminum



UNLESS OTHERWISE SPECIFIED: DIMENSIONS ARE IN MILLIMETERS TOLERANCES: ANGULAR: $\pm 1^\circ$ BEND $\pm$ .X $\pm$ .5 .XX $\pm$ .05 .XXX $\pm$ .005 .XXXX $\pm$ .0005 INTERPRET GEOMETRIC TOLERANCING PER ASME Y14.5- 2009 DO NOT SCALE DRAWING	DRAWN	NAME	DATE	 <p><b>4" x 4" x 6" Dual Plate Heatsink</b></p>
	CHECKED			
	ENG APPR.			
	<p><b>PROPRIETARY AND CONFIDENTIAL</b></p> <p>THE INFORMATION CONTAINED IN THIS DRAWING IS THE SOLE PROPERTY OF COOLING SOURCE. ANY REPRODUCTION IN PART OR AS A WHOLE WITHOUT THE WRITTEN PERMISSION OF COOLING SOURCE IS PROHIBITED.</p>			
	SIZE	REV	SCALE: 1:2	SHEET 1 OF 1
	<b>B</b>	CS605-003-F-0A	<b>A</b>	

4

3

2

1

B

B

A

A