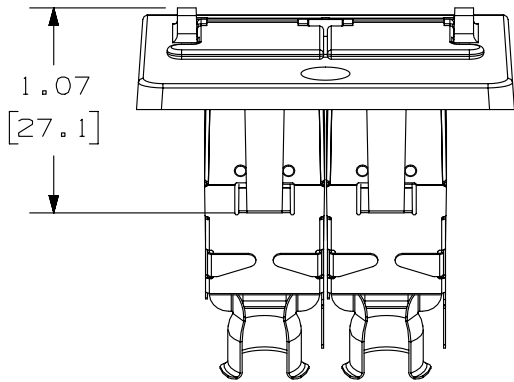
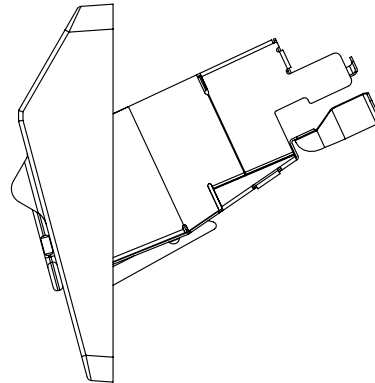
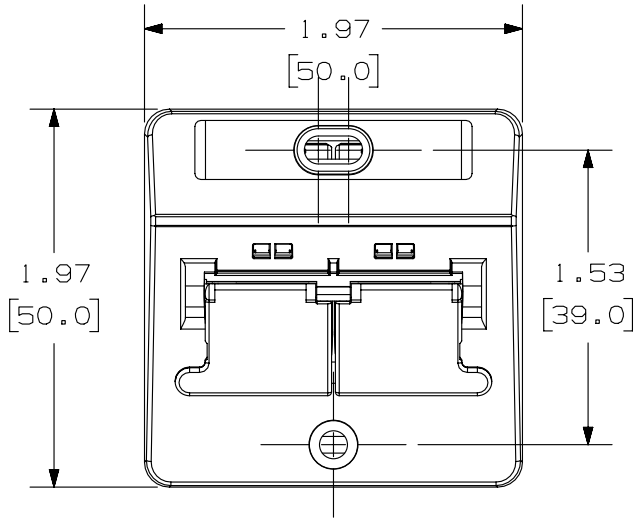


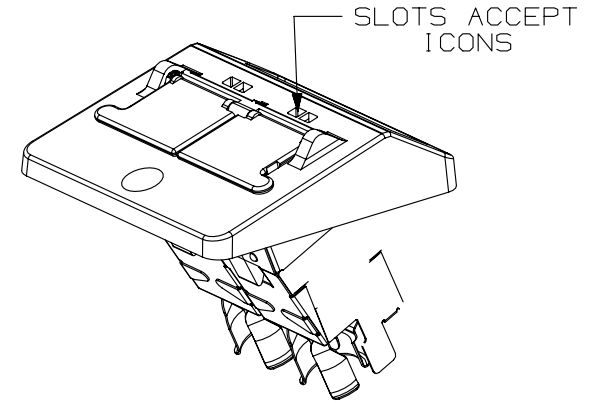
THIS COPY IS PROVIDED ON A RESTRICTED BASIS AND IS NOT TO BE USED IN ANY WAY DETRIMENTAL TO THE INTERESTS OF PANDUIT CORP.



PANDUIT P/N	WEIGHT
CS2S6TG**Y	.79 LB/10 PCS (356.5g/10 PCS)

NOTES:

- SEE CURRENT CATALOG FOR ADDITIONAL PART NUMBER SUFFIXES TO INDICATE COLOR AND OR PACKAGE QUANTITY.
- SEE CATALOG FOR COMPLETE LIST OF PARTS APPLICABLE FOR USE WITH THIS PART.
- PART INCLUDES:
 - 1- FACEPLATE (CHES2S**Y)
 - 1- LABEL/ LABEL COVER
 - 2- MOUNTING SCREW
 - 1- METAL MOUNTING PLATE
 - 2- MINI-COM TX6 PLUS SHIELDED JACK MODULE- CJS688TG
- DIMENSIONS IN [] ARE IN METRIC.
- MODULES DO NOT COME INSTALLED.



PART NUMBER		CS2S6TG**Y	
TITLE			
MINI-COM 2 POSITION SLOPED SHUTTERED GERMAN ADAPTER KIT WITH 2 TX6 PLUS SHIELDED JACK MODULES			
CUSTOMER DRAWING			
ITEM REVISION NAME		M02479GI/00	
DATASET FILE NAME		M02479GI_DC167/00B	
UNLESS OTHERWISE SPECIFIED, DIMENSIONAL TOLERANCES ARE: IN [mm]		MATERIAL:	
.x ± .xx ± .03 [.8]		FACEPLATE: ABS MOUNTING PLATE: C.R.S.	
.xxx ± .010 [.3]		DRAWING NUMBER:	
ANGLES ±		02479-167	
THIRD ANGLE PROJECTION		SHT 1 OF 1	
DRAWN BY	DATE	CHK	SCALE
JSP	4-22-06	MJD	NONE
REV	DATE	BY	CHK
1	5/14/14	JSP	REFR
R	4-22-06	JSP	MJD

REV	DATE	BY	CHK	APR	DESCRIPTION	ECN
1	5/14/14	JSP	REFR	MMR	A. REVISED DRAWING TITLE BLOCK.	02479-167
R	4-22-06	JSP	MJD	MJD	RELEASED TO PRODUCTION	02479-167

D10100DA/14

2

1

2

1