

Lithium Coin Cell - CR 2032 H3B

- Low self-discharge
- Long shelf life
- UN 38.3 tested
- Wide assortment of mounting options and wire terminals available



RoHS compliant



Pb free



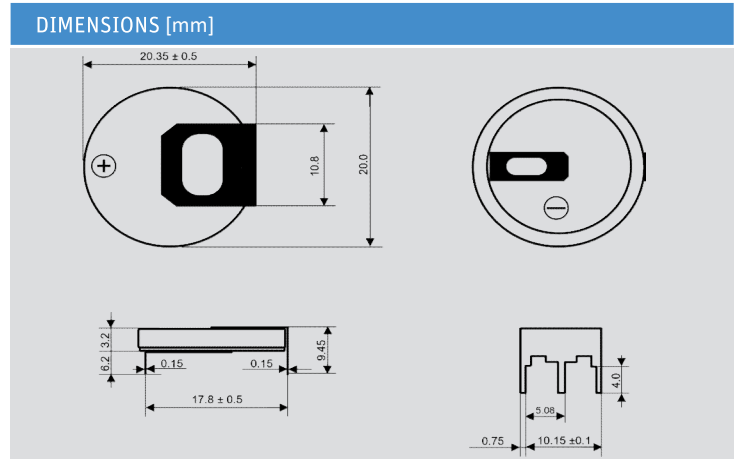
REACH compliant



Conflict mineral free

| SPECIFICATIONS | |
|-------------------------|---------------------|
| Jauch part number | 247282 |
| Nominal Voltage | 3V |
| Nominal Capacity | 240 mAh |
| Standard Load | 15 kΩ |
| Standard Current | 0.2 mA |
| Max. Continuous Current | 3 mA |
| Max. Pulse Current | 15 mA |
| Operating Temperature | -30°C to +85°C * |
| Weight | Approx. 3.1 g |
| Chemistry | Li/MnO ₂ |

Note: Capacity 240mAh is obtained at standard cc load to 2.0V at 23°C.



* In applications where the battery is exposed to temperatures >60°C, please contact Jauch.

