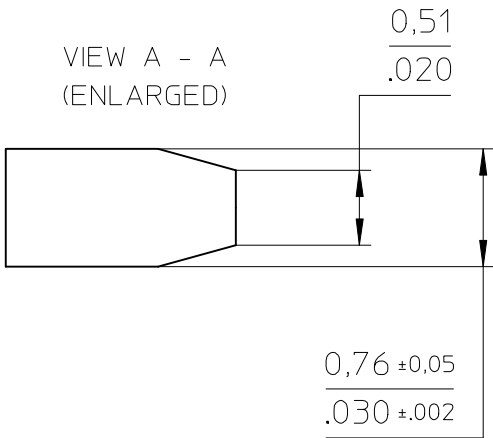


Dimensions [$\frac{\text{mm}}{\text{inch}}$]

Coil former material: Zytel FR50 (PA6.6), glass-reinforced.
 UL file number: E41938 - UL94V-0.
 max. operating temp: 130°C, class B
 pin material: brass, Ni flash, Sn plated.
 solderability: acc. to IEC 60 068-2-20 part2, Test Ta method 1, 235°C-2sec.
 mean length of turn: 1.445 inch (36.7 mm)
 winding area: 0.013 sq. inch (8.38 mm²) per sect.

VIEW A - A
(ENLARGED)



CLASS.NO.			07-01-08
	CPV-P18/11-2S-6PD-Z	4335 060 26451	
NAME NAAM	Wojtasz	SUPERS. VERV.	SH SH BL BL 112 - 001
MPA	CHECK CONTR.	DAT.	07-01-08
Property of Eigendom van		© FERROXCUBE 2000	

A3