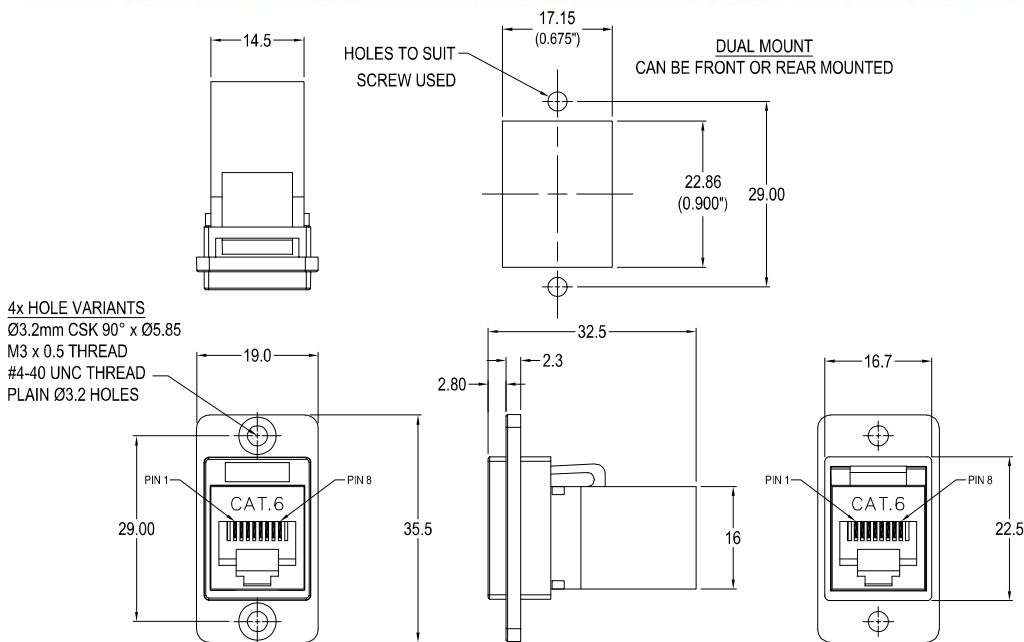


CLIFF

DUALSLIM CAT.6 RJ45 METAL FRAME FEEDTHROUGH CONNECTOR

Can be front or rear mounted in the panel



4x HOLE VARIANTS
 Ø3.2mm CSK 90° x Ø5.85
 M3 x 0.5 THREAD
 #4-40 UNC THREAD
 PLAIN Ø3.2 HOLES

VARIANTS

Part No.

- | | |
|---------------------|---|
| CP30722M | DUALSLIM Cat.6 RJ45 Nickel frame, CSK holes |
| CP30722MB | DUALSLIM Cat.6 RJ45 Black metal frame, CSK holes |
| CP30722M3 | DUALSLIM Cat.6 RJ45 Nickel frame, M3 holes |
| CP30722MB3 | DUALSLIM Cat.6 RJ45 Black metal frame, M3 holes |
| CP30722M440 | DUALSLIM Cat.6 RJ45 Nickel frame, #4-40 holes |
| CP30722MB440 | DUALSLIM Cat.6 RJ45 Black metal frame, #4-40 holes |
| CP30722MX1 | DUALSLIM Cat.6 RJ45 Nickel frame, Ø3.2 PLAIN holes |
| CP30722MBX1 | DUALSLIM Cat.6 RJ45 Black metal frame, Ø3.2 PLAIN holes |

Feedthrough Features

- Fits standard rectangular cutout.
- Front or rear mounting through the panel.
- Various hole mounting options.
- No soldering or punch termination. Use standard cable for each connector style.
- Low rear profile.

General:

Please note: Functionality is affected by cable quality, length and cable wiring configuration.

Material:

1. RJ45 In-Line Coupler: ABS UL94-V0
2. RJ45 In-Line Coupler Contact:
Phosphor Bronze, 3-50 micro inches gold plating over nickel plate.
3. PCB: FR4
4. Frame: Diecast, Nickel or Black plated

Performance:

1. T568A & T568B wiring.
2. Meet ISO/IEC 11801 and EN50173
3. Meet ANSI/TIA/EIA 568B.2
4. Rating: 125VAC RMS 1.5A
5. Operating Temperatures: Min -10°C Max +60°C