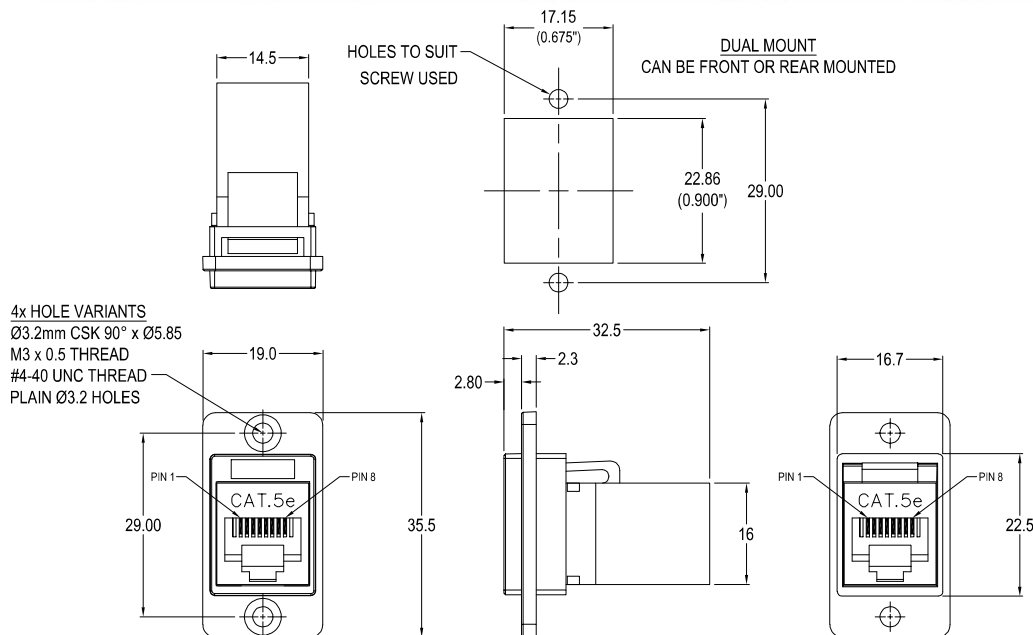


CLIFF

DUALSLIM CAT5e RJ45 METAL FRAME FEEDTHROUGH CONNECTOR

Can be front or rear mounted in the panel



VARIANTS

Part No.

CP30720M	DUALSLIM Cat5e RJ45 Nickel frame, CSK holes
CP30720MB	DUALSLIM Cat5e RJ45 Black metal frame, CSK holes
CP30720M3	DUALSLIM Cat5e RJ45 Nickel frame, M3 holes
CP30720MB3	DUALSLIM Cat5e RJ45 Black metal frame, M3 holes
CP30720M440	DUALSLIM Cat5e RJ45 Nickel frame, #4-40 holes
CP30720MB440	DUALSLIM Cat5e RJ45 Black metal frame, #4-40 holes
CP30720MX1	DUALSLIM Cat5e RJ45 Nickel frame, Ø3.2 PLAIN holes
CP30720MBX1	DUALSLIM Cat5e RJ45 Black metal frame, Ø3.2 PLAIN holes

Feedthrough Features

- Fits standard rectangular cutout.
- Front or rear mounting through the panel.
- Various hole mounting options.
- No soldering or punch termination. Use standard cable for each connector style.
- Low rear profile.

General:

Please note: Functionality is affected by cable quality, length and cable wiring configuration.

Material:

1. RJ45 In-Line Coupler: ABS UL94-V0
2. RJ45 In-Line Coupler Contact:
Phosphor Bronze, 3-50 micro inches
gold plating over nickel plate.

3. PCB: FR4

4. Frame: Diecast, Nickel or Black plated

Performance:

1. T568A & T568B wiring.
2. Meet ISO/IEC 11801 and EN50173
3. Meet ANSI/TIA/EIA 568B.2
4. Rating 125VAC RMS 1.5A
5. Operating Temperatures: Min -10°C Max +60°C