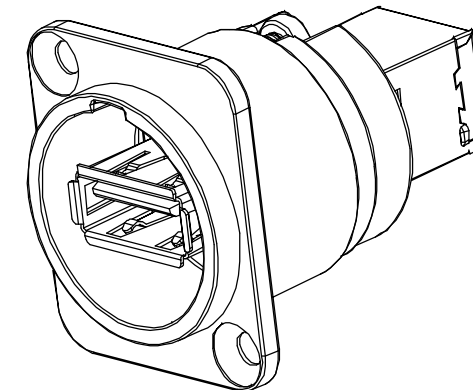
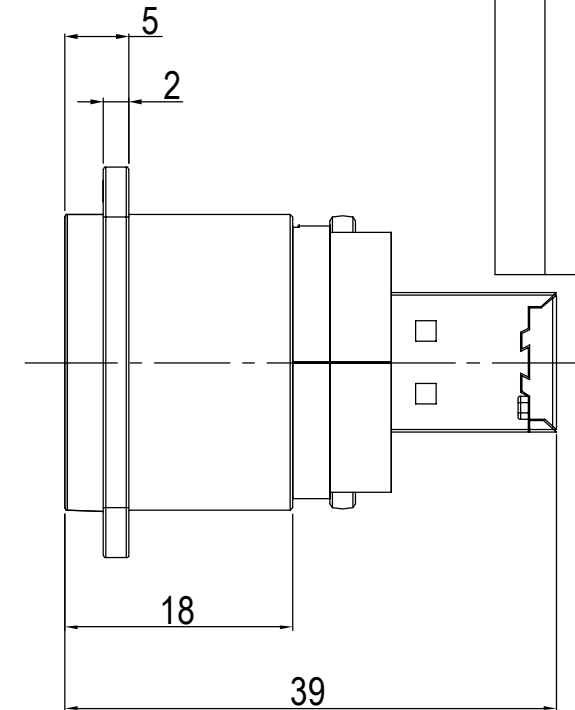
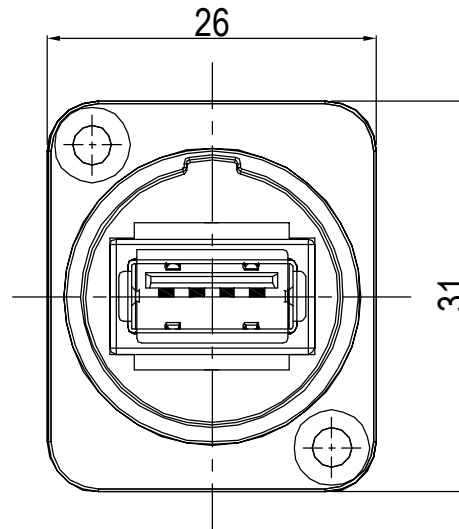
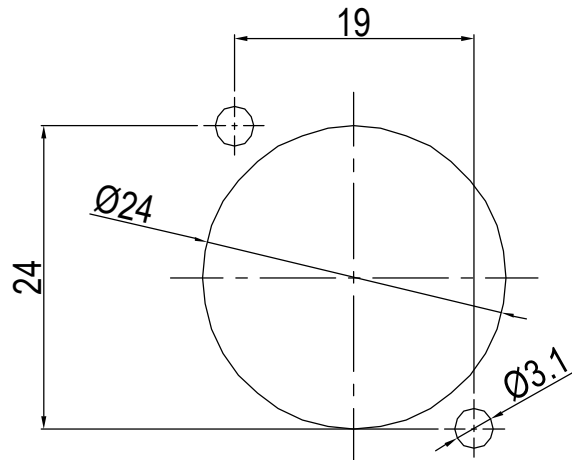


ISS.	AMEND	DATE
1	ISSUED	17/10/17

Panel cut out (front view)



**Specification + Technical Data:**

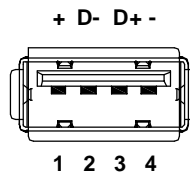
- Contact Resistance: 30mΩ MAX
- Insulation Resistance : 500MΩ min
- Dielectric withstanding voltage: 500V AC one minute
- Rated Current: 1.5A
- Rated Voltage: 30V
- Temperature Range: 0°C to +50°C
- (High-Speed): 25Mbps ~ 400Mbps (Max 480Mbps)
- (Full Speed): 500Kbps ~ 10Mbps (Max 12Mbps)
- (Low Speed): 10Kbps ~ 100Kbps (Max 1.5Mbps)

**Plating**

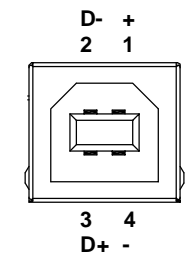
- Contact : Touch Area Golden Plating 1µ"
- Soldering Area Tin Plating 40µ" min
- USB Shell: Nickel Plating 40µ" min

Contact	Standard A	Standard B
1	VBUS 14.75 - 5.25 VI	VBUS 14.4 - 5.25 VI
2	<b>D-</b>	<b>D-</b>
3	<b>D+</b>	<b>D+</b>
4	Earthing	Earthing

**Standard A**



**Standard B**



ITEM	DESCRIPTION	MATERIAL	FINISH
1	FRAME	ZINC DIECAST	BLACK
2	FT INSERT	ABS	BLACK
3	SCREW	STEEL	NICKEL
4	USB2 A-B	PBT	WHITE
5	USB2 SHELL	BRASS	NICKEL
6	CONTACTS	BRASS	GOLD

**RoHS COMPLIANT**

**TOLERANCE**  
 NO DEC. PLACE ±  
 1 DEC. PLACE ±  
 2 DEC. PLACE ±  
 HOLE Ø ±  
 ANGLES ±  
 UNLESS OTHERWISE STATED

DO NOT SCALE

**Cliff Electronic Components Ltd.**

76 Holmethorpe Avenue, Holmethorpe Industrial Estate,  
 Redhill, Surrey, RH1 2PF, England, UK  
 Tel: 01737-771375 Fax: 01737-766012 Website: www.cliffuk.co.uk

THE CONTENTS OF THIS DOCUMENT MUST NOT BE COPIED OR DISCLOSED TO A 3rd PARTY WITHOUT WRITTEN PERMISSION OF CLIFF UK. © 2017

DIMENSIONS IN MILLIMETERS UNLESS OTHERWISE STATED. WORK TO DIMENSIONS. REMOVE ALL BURRS. IF IN DOUBT ASK.

3rd ANGLE PROJECTION:

MATERIAL: SEE TABLE
FINISH: SEE TABLE
DRAWN: T.J.O.
APPROVED: D.P.J.

TITLE: XLR USB2 A-B FT - BLACK METAL	DRWG. No. <b>CP30114</b>	FORM: A4DRWGH
--------------------------------------	--------------------------	---------------