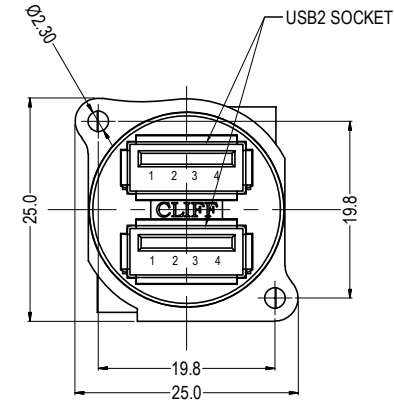
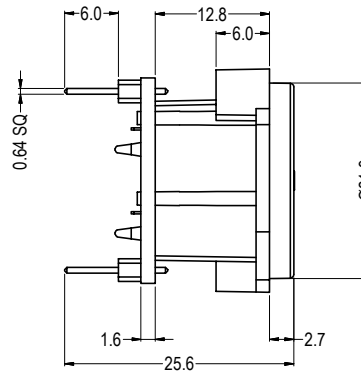
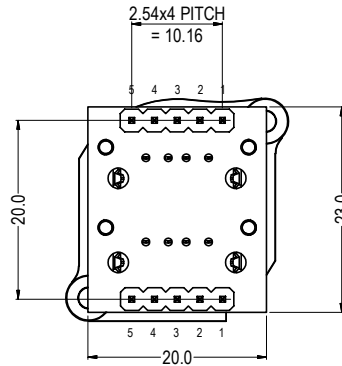
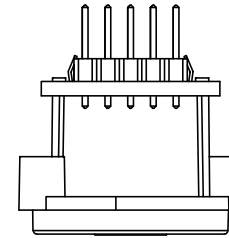
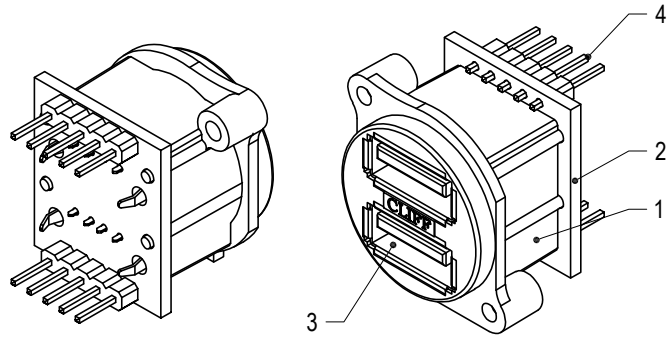
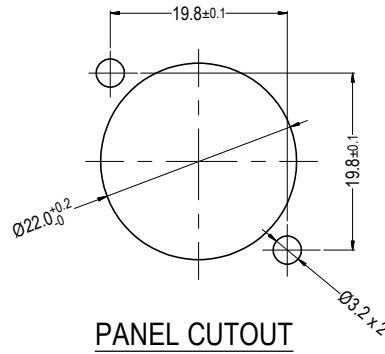
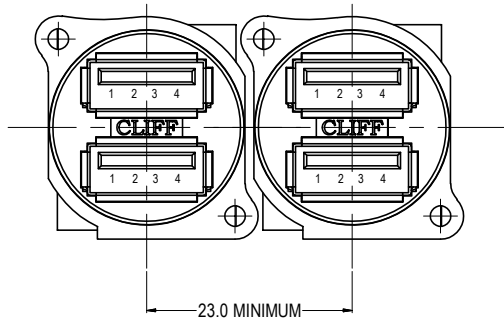


ISS.	AMEND	DATE
1	ISSUED	22/01/14
2	ADD MATERIAL TABLE	23/03/20



ITEM	PART No.	DESCRIPTION	MATERIAL	FINISH	QTY
1	CP30090SA1	SERIES 5 BODY MOULDING	PA66	BLACK	1
2	CP30090SA2	DUAL USB2 PCB	FR4	-	1
3		USB2 SOCKET	-	-	2
4		HEADER 1x5 2.54mm PITCH	PA66	BLACK	2
			BRASS	TIN PLATE	



PIN No.	CONNECTION
1	Vcc
2	Data -
3	Data +
4	Ground
5	Housing

RoHS
COMPLIANT

TOLERANCE
NO DEC. PLACE ±
1 DEC. PLACE ±
2 DEC. PLACE ±
HOLE Ø ±
ANGLES ±
UNLESS OTHERWISE STATED

Cliff Electronic Components Ltd.
76 Holmethorpe Avenue, Holmethorpe Industrial Estate,
Redhill, Surrey, RH1 2PF, England, UK
Tel: 01737-771375 Fax: 01737-766012 Website: www.cliffuk.co.uk

DIMENSIONS IN MILLIMETERS UNLESS OTHERWISE STATED. WORK TO DIMENSIONS. REMOVE ALL BURRS. IF IN DOUBT ASK.

3rd ANGLE PROJECTION:

MATERIAL: SEE TABLE

FINISH: SEE TABLE

DRAWN: NJB

APPROVED: DPJ

TITLE: XLR-USB2x2

DRWG. No. CP30090

DO NOT SCALE

THE CONTENTS OF THIS DOCUMENT MUST NOT BE COPIED OR DISCLOSED TO A 3rd PARTY WITHOUT WRITTEN PERMISSION OF CLIFF UK. © 2013

FORM: A4DRWGH