

1

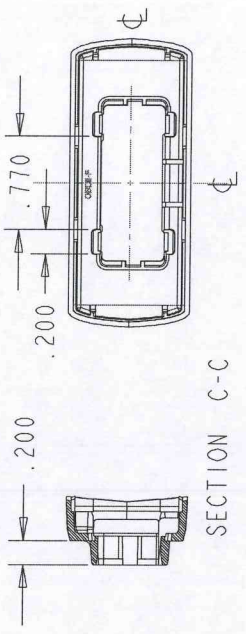
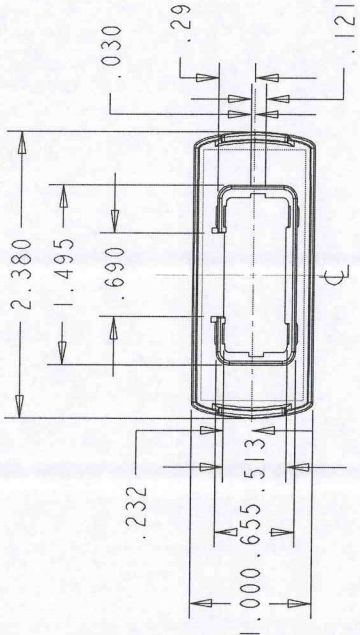
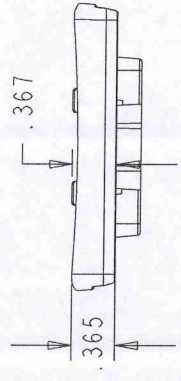
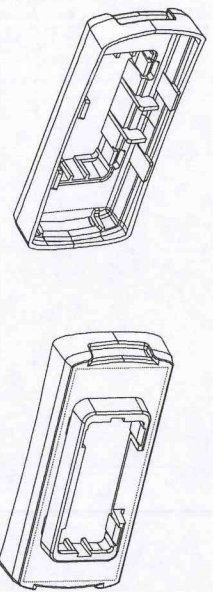
2

3

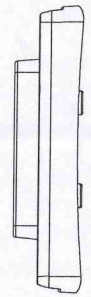
4

Generated by Foxit PDF Creator © Foxit Software  
http://www.foxitsoftware.com For evaluation only

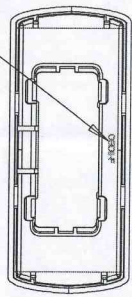
REVISIONS			
LET	ECN	DESCRIPTION	DATE
01			05/04/12
02		ADDED CAVITY ID	05/22/12
			JMM



SECTION C-C



CAVITY ID:  
COPY 1.25 TALL  
RAISED 0,05 TO 0,1



NOTES:

1. FOR LIST OF MATERIAL SEE:  
PL 115128-501 , 115129-501
2. UNLESS OTHERWISE SPECIFIED:  
CORNERS SHOWN SHARP HAVE  
A RADIUS OF .01.
3. NO KNOCKOUTS, GATES OR FLASH  
ON THE EXTERIOR SURFACES.
4. FLASH PERMISSIBLE WITHIN .005 INCH.
5. KNOCKOUTS FLUSH TO .005 BELOW SURFACE.
6. TEXTURE: EDM #33
7. INTERIOR FINISH: SPI C3 OR BETTER

**PACINTEC**  
Subsidiary of LaFrance Corp.

One LaFrance way, Concordville, Pa. 19332-5002 U.S.A.

WOLDED TOLERANCE:		DRAWN BY:	DATE
PRODUCT WILL BE PRODUCED PER INSTITUTE PROJECT STANDARDS AND TOLERANCES		R. WOLSTENHOLME	05/04/12
MACHINED:		CUSTOMER PRODUCT I.D.:	
ANGLES: ±1/2°		MATERIAL: ABS	
DECIMALS: XX ± .02 .XXX ± .010		COLOR: SEE PARTS LIST	
		CLASS: MEDIUM IMPACT	
		U.L. RATING: SEE PARTS LIST	

PROCESS:		SCALE:	SHEET 1 OF 1
PART #		DRAWING NUMBER	REV
115668-01		115668	02

**STANARD**  
**CN-XR OBD II FEMALE ENDCAP**

1

2

3

4

B

A