

**Circuits
from the Lab®**
Reference Designs

Circuits from the Lab® reference designs are engineered and tested for quick and easy system integration to help solve today's analog, mixed-signal, and RF design challenges. For more information and/or support, visit www.analog.com/CN0396.

Devices Connected/Referenced

AD7798	3-Channel, Low Noise, Low Power, 16-Bit, Sigma-Delta ADC with On-Chip In-Amp
ADA4528-1/ ADA4528-2	5.0 V, Ultralow Noise, Zero Drift, RRIO, Single/Dual Op Amp
AD5270-20	1024-Position, 1% Resistor Tolerance Error, 50-TP Memory Digital Rheostat
ADT7310	±0.5°C Accurate, 16-Bit Digital SPI Temperature Sensor
ADP7102	20 V, 300 mA, Low Noise, CMOS LDO
ADR3412	Micropower, 0.1% Accurate, 1.2 V Voltage Reference

Dual Electrochemical Gas Sensor with Temperature Compensation

EVALUATION AND DESIGN SUPPORT

Circuit Evaluation Boards

[CN-0396 Circuit Evaluation Board \(EVAL-CN0396-ARDZ\)](#)
[ADICUP360 Development Board \(EVAL-ADICUP360\)](#)

Design and Integration Files

[Schematics, Layout Files, Bill of Materials](#)

CIRCUIT FUNCTION AND BENEFITS

The circuit shown in Figure 1 is a portable gas detector, using a 4-electrode electrochemical sensor, for simultaneous detection of two distinct gases. The potentiostatic circuit uses an optimum combination of components designed to provide single-supply, low power, and low noise performance, while offering a high

degree of programmability to accommodate a variety of sensors for different types of gases.

Electrochemical sensors offer several advantages for instruments that detect or measure the concentration of many toxic gases. Most sensors are gas specific and have usable resolutions under one part per million (ppm) of gas concentration.

The Alphasense COH-A2 sensor, which detects carbon monoxide (CO) and hydrogen sulfide (H₂S), is used in this example.

The [EVAL-CN0396-ARDZ](#) printed circuit board (PCB) is designed in an Arduino-compatible shield form factor and interfaces to the [EVAL-ADICUP360](#) Arduino-compatible platform board for rapid prototyping.

Rev. 0

Circuits from the Lab reference designs from Analog Devices have been designed and built by Analog Devices engineers. Standard engineering practices have been employed in the design and construction of each circuit, and their function and performance have been tested and verified in a lab environment at room temperature. However, you are solely responsible for testing the circuit and determining its suitability and applicability for your use and application. Accordingly, in no event shall Analog Devices be liable for direct, indirect, special, incidental, consequential or punitive damages due to any cause whatsoever connected to the use of any Circuits from the Lab circuits. (Continued on last page)

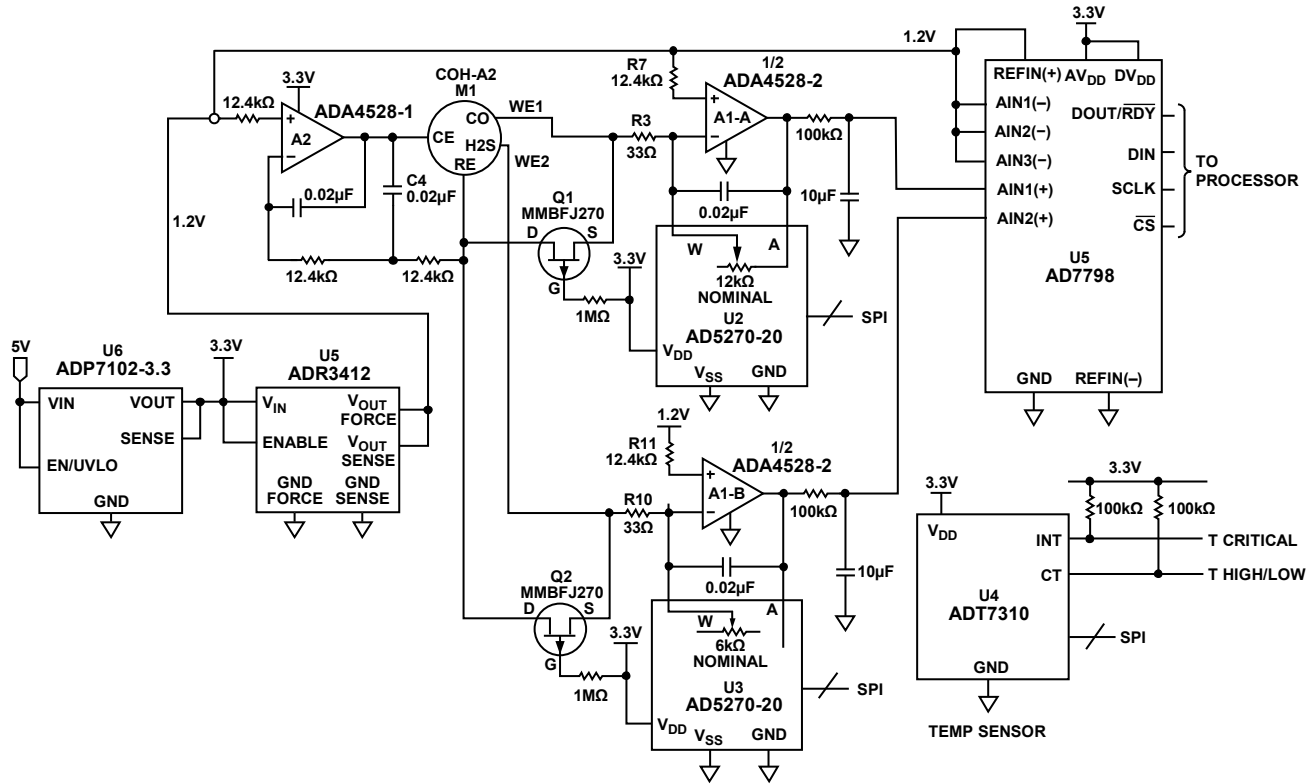


Figure 1. Dual Gas Sensor Simplified Schematic (All Connections and Decoupling Not Shown)

CIRCUIT DESCRIPTION

Figure 2 shows a simplified schematic of an electrochemical sensor measurement circuit.

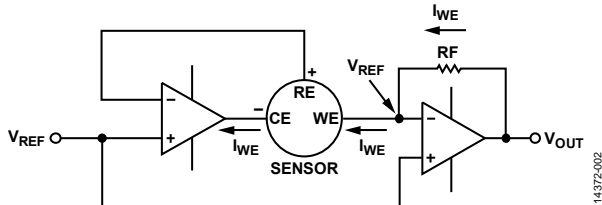


Figure 2. Simplified Potentiostatic Electrochemical Sensor Circuit

Electrochemical sensors work by allowing gas to diffuse into the sensor through a membrane and by interacting with the working electrode (WE). The sensor reference electrode (RE) provides feedback to Amplifier U2-A, which maintains a constant potential with the WE terminal by varying the voltage at the counter electrode (CE). The direction of the current at the WE terminal depends on whether the reaction occurring within the sensor is oxidation or reduction. For a carbon monoxide sensor, oxidation takes place; therefore, the current flows into the working electrode, which requires the counter electrode to be at a negative voltage (typically 300 mV to 400 mV) with respect to the working electrode. The op amp driving the CE terminal must have an output voltage range of approximately ± 1 V with respect to V_{REF} to provide sufficient headroom for operation with different types of sensors (Alphasense Application Note AAN-105-03, *Designing a Potentiostatic Circuit*).

For 4-electrode electrochemical gas sensors, there are two working electrodes (shown as WE1 and WE2 in Figure 1). Each WE responds to a certain gas. In this example, the Alphasense COH-A2 sensor is used. One working electrode responds to CO, while the other responds to H₂S. The sensors are designed such that special chemical filters prevent one gas from affecting the other electrode. The two working electrodes share a common RE and CE electrode.

The current into the WE terminal is less than 100 nA per ppm of gas concentration for CO and less than 1000 nA per ppm for H₂S; therefore, converting this current into an output voltage requires a transimpedance amplifier with a very low input bias current. The ADA4528-1/ADA4528-2 op amp has CMOS inputs with a maximum input bias current of 220 pA at room temperature, making it a very good fit for this application. The ADA4528-1/ADA4528-2 is an auto-zero amplifier, which has a maximum offset voltage of 2.5 μ V at room temperature and an industry leading 5.6 μ V/ $\sqrt{\text{Hz}}$ of voltage noise density.

The ADR3412 voltage reference establishes the 1.2 V pseudo ground reference for the circuit, which allows single-supply operation while consuming very little quiescent current (100 μ A maximum). The ADR3412 has 0.1% accuracy and 8 ppm/ $^{\circ}$ C drift.

Amplifier A2 sinks enough current from the CE terminal to maintain a 0 V potential between the WE terminals and the RE terminal on the sensor. The RE terminal is connected to the inverting input of Amplifier A2; therefore, no current flows in or out of it. This means that the current comes from the WE terminal, and it changes linearly with gas concentration.

The A1-A and A1-B transimpedance amplifiers convert the sensor currents into voltages proportional to the gas concentration.

The sensor selected for this circuit is an Alphasense COH-A2 carbon monoxide (CO) and hydrogen sulfide (H₂S) sensor. Table 1 shows the typical specifications associated with this type of sensor.

The gases that can be measured using this circuit and compatible sensors are toxic. Take extreme care when testing this circuit. Take note of the exposure limits and safety precautions when handling gases such as carbon monoxide and hydrogen sulfide.

Table 1. Typical Carbon Monoxide Sensor Specifications

Parameter	Value
Carbon Monoxide	
Sensitivity	50 nA/ppm to 100 nA/ppm
Response Time (t ₉₀ from 0 ppm to 400 ppm CO)	<35 sec
Range (ppm) CO (Guaranteed Performance)	0 ppm to 1000 ppm
Overrange Limit (Specifications Not Guaranteed)	2000 ppm
Hydrogen Sulfide	
Sensitivity	600 nA/ppm to 1000 nA/ppm
Response Time (t ₉₀ from 0 ppm to 20 ppm H ₂ S)	<30 sec
Range (ppm) H ₂ S (Guaranteed Performance)	0 ppm to 200 ppm
Overrange Limit (Specifications Not Guaranteed)	400 ppm

The output voltage of the transimpedance amplifier is

$$V_O = 1.2 \text{ V} + I_{WE} \times R_{AW} \quad (1)$$

where:

I_{WE} is the current into the WE terminal.

R_{AW} is the transimpedance feedback resistor (shown as the [AD5270-20](#) U2 and U3 digital rheostat in Figure 1).

The maximum response of the COH-A2 sensor for CO gas is 100 nA/ppm, and its maximum input range is 1000 ppm. For the H₂S gas, the maximum response is 1000 nA/ppm, and the maximum input range is 200 ppm. These values result in a maximum output current of 100 μA and 200 μA for CO and H₂S electrodes, respectively. The transimpedance amplifier feedback resistors determine the maximum input voltage to the analog-to-digital converter (ADC).

Equation 2 shows the calculation for output voltage of the TIA for the CO electrode.

$$V_O = 1.2 \text{ V} + 1000 \text{ ppm} \times 100 \text{ nA/ppm} \times R_{AW}$$

$$V_O = 1.2 \text{ V} + 100 \text{ μA} \times R_{AW} \quad (2)$$

Applying 1.2 V to V_{REF} of the [AD7798](#) allows a usable range of ±1.2 V at the output of the transimpedance amplifiers, A1-A and A1-B. Selecting nominal feedback resistors of 12 kΩ for the CO channel and 6 kΩ for the H₂S channel gives a maximum

output voltage of approximately 2.4 V for both sensor types. The exact values of the resistors are determined by a single-point calibration in a gas of known concentration.

The [AD5270-20](#) digital rheostat is used for the feedback resistor in both channels and has a maximum resistance value of 20 kΩ. There are 1024 resistance positions, resulting in resistance step sizes of 19.5 Ω. The 5 ppm/°C resistance temperature coefficient of the [AD5270-20](#) is better than that of most discrete resistors, and its 1 μA of supply current is a very small contributor to the overall power consumption of the system.

Temperature Compensation

The [ADT7310](#) is a 16-bit, digital serial peripheral interface (SPI) temperature sensor with an accuracy of ±0.5°C. In this circuit, it is used to monitor the temperature of the environment. The temperature data can be used to correct for the effects of temperature changes on the performance of the gas sensor. It is recommended to position the temperature sensor close to the gas sensor.

The sensitivity of gas sensors (expressed as nA/ppm) changes by typically 0.1%/°C to 0.3%/°C with respect to the room temperature sensitivity (Alphasense Application Note AAN-110, *Environmental Changes: Temperature, Pressure, Humidity*).

The [ADT7310](#) measures the ambient temperature and sends the result to a microprocessor over an SPI interface. The corrections are then carried out in the software using a lookup table or an equation.

Always consult the manufacturer to obtain the temperature correction data for the specific sensor used in a system.

Noise Performance

The output impedance of the sensor WE terminals is a parallel combination of a relatively large capacitance and resistance. The capacitance causes the noise gain of the amplifier to increase as the frequency increases, thereby increasing the output noise. The R3 and R10 resistors are in series with the sensor output impedance and keep the noise gain (NG) of the TIAs at a reasonable level. Selecting the optimum value of this resistor is a compromise between the fastest response time when exposed to high concentrations of gas (low R3, R4, and high noise gain) and low noise (high R3, R4, and low noise gain). For the example shown in Equation 3 and Equation 4, R4 = 33 Ω, which results in a noise gain of 365 in the CO channel and 183 in the H₂S channel, neglecting the output impedance of the WE terminals:

$$CO \text{ Channel } NG = 1 + \frac{12 \text{ k}\Omega}{33 \Omega} = 365 \quad (3)$$

$$H_2S \text{ Channel } NG = 1 + \frac{6 \text{ k}\Omega}{33 \Omega} = 183 \quad (4)$$

The input noise of the transimpedance amplifier appears at the output, amplified by the noise gain. For this circuit, only low frequency noise is of interest because the frequency of operation of the sensor is very low. The [ADA4528-2](#) has a 0.1 Hz to 10 Hz input voltage noise of 97 nV p-p.

The 12.4 k Ω resistors, R7 and R11, each contribute approximately 294 nV p-p over the 0.1 Hz to 10 Hz bandwidth.

Therefore, the total input noise is the rss value of 97 nV p-p and 294 nV p-p, or 309 nV p-p.

Reflected to the output by the noise gains results in 365×309 nV = 113 μ V p-p in the CO channel and 183×309 nV = 57 μ V p-p in the H₂S channel.

Because this noise is low frequency 1/f noise, the noise is very difficult to filter. However, because the sensor response is also slow, it is possible to use a very low frequency, low-pass filter (100 k Ω /10 μ F) with a cutoff frequency of 0.16 Hz and a time constant of 2.2 sec. Even with this large time constant, the effect of the filter on the sensor response time is negligible when compared to the approximate 30 sec response time of the sensor.

The 0.16 Hz filter reduces the CO and H₂S output noise from 113 μ V p-p and 57 μ V p-p to approximately 14.3 μ V p-p and 7.2 μ V p-p, respectively.

The theoretical noise free code resolution of the system in each channel measured at the output of the 0.16 Hz filter can be calculated as follows:

$$\begin{aligned} & \text{CO Channel Noise Free Code Resolution} \\ & = \log_2 \left(\frac{1.2 \text{ V}}{14.3 \mu\text{V}} \right) = 16.4 \text{ bits} \end{aligned} \quad (5)$$

$$\begin{aligned} & \text{H}_2\text{S Channel Noise Free Code Resolution} \\ & = \log_2 \left(\frac{1.2 \text{ V}}{7.2 \mu\text{V}} \right) = 17.4 \text{ bits} \end{aligned} \quad (6)$$

These calculations assume that there is no noise contribution from the sensor itself. In practice, the equivalent CO sensor rms noise is specified to be less than 0.5 ppm (for full scale = 1000 ppm), and the H₂S sensor less than 0.05 ppm (for full scale = 200 ppm).

Final system tests including the sensor were conducted on the CO channel, and the peak-to-peak noise was measured to be approximately 4 LSBs, for a full scale of $2^{16-1} = 32,768$, which gives

$$\begin{aligned} & \text{CO Sensor System Noise Free Code Resolution} \\ & = \log_2 \left(\frac{32,768}{4} \right) = 13 \text{ bits} \end{aligned} \quad (7)$$

One important characteristic of electrochemical sensors is their very long time constant. When first powered up, it can take several minutes for the output to settle to its final value. When exposed to a midscale step in concentration of the target gas, the time required for the sensor output to reach 90% of its final value can be in the order of 25 sec to 40 sec. If the voltage between the RE terminal and the WE terminal has a sudden change in magnitude, it can take several minutes for the output current of the sensor to settle. This long time constant also applies when cycling power to the sensor. To avoid long start-up times, the Q1 and Q2 P-channel JFETs short the RE terminals to the WE terminals when the supply voltage drops below the gate-to-source threshold voltage (~2.0 V) of the JFETs.

Power Consumption

The circuit is powered by a 3.3 V supply coming from an ADP7102-3.3 LDO. The current from the output of the LDO was measured to be 4.5 mA. The system was configured as shown in Table 2. With the ADC, digital rheostat, and temperature sensor placed in their power-down modes and the amplifier supplies disabled, the system only consumes 17 μ A maximum.

Table 2. Component Operating Configurations

Device	Configuration
AD7798	Buffers enabled Gain = 1 Continuous conversion mode 4.17 Hz update rate
AD5270-20	Normal mode R-performance disabled
ADT7310	1 SPS mode 16-bit

System Gas Concentration Measurements

A calibrated gas chamber was used to make concentration measurements with the CN-0396 circuit. Figure 3 shows the measured concentration as a function of the chamber concentration. The sensor manufacturer recommends a single-point calibration at 400 ppm concentration for the CO sensor. The data shows that the full-scale gain error is approximately 80 ppm due to the inherent sensor error and the accuracy of the gas chamber calibration.

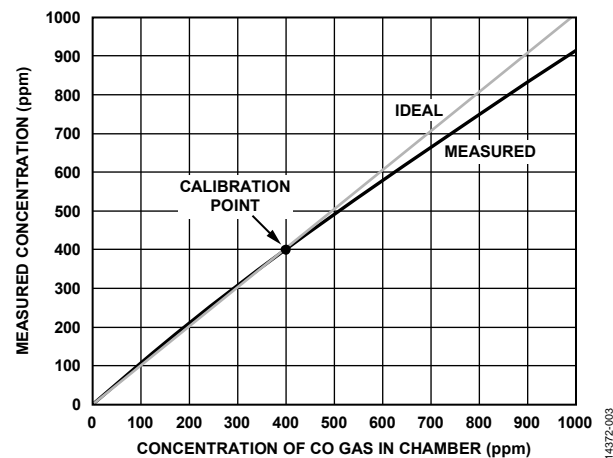


Figure 3. Measured Concentration of CO vs. Chamber Concentration

A complete set of schematics, bill of material, and layout files for the EVAL-CN0396-ARDZ board is available in the CN-0396 Design Support package.

COMMON VARIATIONS

Electrochemical sensors operate with very small amounts of current, making them well suited for portable, battery-powered instruments. If lower power is required, the [ADA4505-2](#) amplifier has a maximum input bias current of 2 pA and consumes only 10 μ A per amplifier. However, the noise of the [ADA4505-2](#) is greater than that of the [ADA4528-2](#).

The [ADR291](#) precision voltage reference consumes only 12 μ A and can be substituted for the [ADR3412](#), if lower power is required.

For embedded applications, the Analog Devices, Inc., family of microcontrollers such as the [ADuCM360](#) feature an on-board, 24-bit, Σ - Δ ADC and internal voltage reference. This can lower the number of components and power consumption of the system.

For 3-electrode electrochemical toxic gas sensing design, see the [Circuit Note CN-0357](#).

CIRCUIT EVALUATION AND TEST

The circuit shown in Figure 1 uses the [EVAL-CN0396-ARDZ](#) circuit evaluation board and the [EVAL-ADICUP360](#) development board. In addition, the [EVAL-CN0396-ARDZ](#) comes in an Arduino shield form factor, making it possible to use pin-compatible development boards for evaluation and prototyping.

The [CN-0396](#) demo software (see the [CN-0396 User Guide](#)) allows the [EVAL-ADICUP360](#) board to configure and read data from the [EVAL-CN0396-ARDZ](#) evaluation board. This data can be displayed using a serial port terminal program on a PC.

Equipment Needed

The following equipment is needed:

- PC with a USB port and Windows® 7 (32-bit) or higher
- [EVAL-CN0396-ARDZ](#) circuit evaluation board
- [EVAL-ADICUP360](#) development board
- USB-A to USB micro cable
- [CN-0396](#) demo software (see the [CN-0396 User Guide](#))
- Serial terminal software (PuTTY, Tera Term, or similar)
- 4-electrode electrochemical gas sensor (CO and H₂S sensor is provided with the evaluation board)
- Environmental chamber
- Calibration gases
- Precision current source (alternative to actual sensor and gases)

Getting Started

A detailed user guide for the [EVAL-CN0396-ARDZ](#) is available at www.analog.com/CN0396-UserGuide. Consult this user guide for all aspects of hardware and software operation.

A detailed user guide for the [EVAL-ADICUP360](#) platform board is also available at www.analog.com/EVAL-ADICUP360.

Set the jumpers on the [EVAL-ADICUP360](#) board to the positions indicated in the [CN-0396 User Guide](#).

Download the [CN-0396](#) demo code to the [EVAL-ADICUP360](#) board using the Eclipse IDE and DEBUG USB connection.

Install the gas sensor on the [EVAL-CN0396-ARDZ](#) board through the sockets provided. Connect the [EVAL-CN0396-ARDZ](#) board to the [EVAL-ADICUP360](#) using the mating headers.

Connect the USER USB port of the [EVAL-ADICUP360](#) to the PC. On the PC, start the preferred serial terminal software and connect to the [EVAL-ADICUP360](#) serial port to begin reading the data.

Other processors can also be used to test and evaluate the [EVAL-CN0396-ARDZ](#) board; however, the software and drivers may not be provided.

Functional Block Diagram

A functional block diagram of the test setup is shown in Figure 4. A complete schematic of the evaluation board is contained in the [CN-0396 Design Support](#) package, including layout, Gerber files, and a bill of materials.

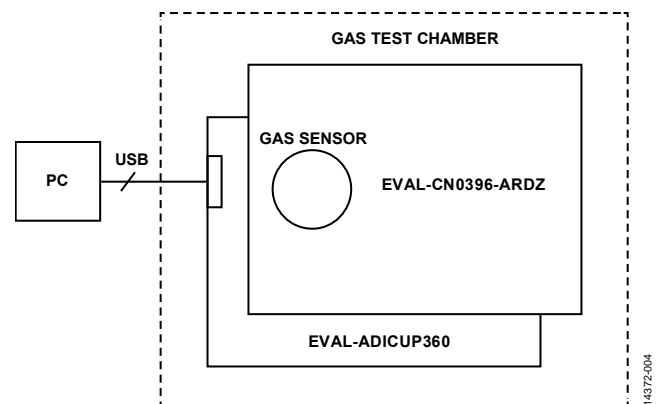


Figure 4. Test Setup Functional Diagram

Power Supply Configuration

When connected appropriately to the EVAL-ADICUP360 platform board, the EVAL-CN0396-ARDZ evaluation board receives the necessary voltage to power the circuitry from the EVAL-ADICUP360 board.

Test

To measure gas concentration, position the system in the environment to be measured. The data coming from the ADC must be converted into a voltage value. The ADC input voltage, together with the rheostat resistance value and sensor sensitivity, is used to compute the gas concentration.

The performance of the circuit can be tested without a gas chamber by using a precision current source to simulate the sensor output current, as shown in Figure 5. The test must be conducted with the sensor inserted so that the circuit impedance and voltage levels are correct.

Figure 6 shows a photo of the EVAL-CN0396-ARDZ board.

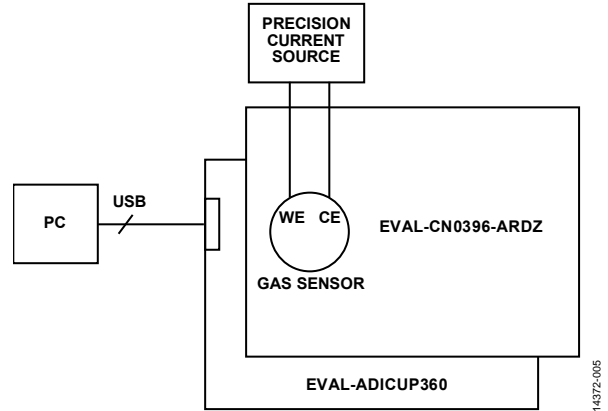


Figure 5. Alternate Test Method for Simulating Sensor Response



Figure 6. EVAL-CN0396-ARDZ Board Photo

LEARN MORE

CN-0396 Design Support Package:

www.analog.com/CN0396-DesignSupport

AN-1114. *Lowest Noise Zero-Drift Amplifier Has 5.6 nV/√Hz Voltage Noise Density.* Analog Devices.

MS-2066 Article. *Low Noise Signal Conditioning for Sensor-Based Circuits.* Analog Devices.

MT-035 Tutorial. *Op Amp Inputs, Outputs, Single-Supply, and Rail-to-Rail Issues.* Analog Devices.

CN-0234 Circuit Note. *Single Supply, Micropower Toxic Gas Detector Using an Electrochemical Sensor.* Analog Devices.

CN-0357 Circuit Note. *Low Noise, Single-Supply, Toxic Gas Detector Using an Electrochemical Sensor with Programmable Gain TIA for Rapid Prototyping.* Analog Devices.

Alphasense Application Note AAN-105-03. *Designing a Potentiostatic Circuit.* Alphasense Limited.

Alphasense Application Note AAN-112-02. *Potentiostat Circuit for D2 Combined CO and H₂S Sensor.* Alphasense Limited.

Alphasense Application Note AAN-110. *Environmental Changes: Temperature, Pressure, Humidity.* Alphasense Limited.

Data Sheets and Evaluation Boards

CN-0396 Evaluation Board (EVAL-CN0396-ARDZ)

ADICUP360 Development Platform (EVAL-ADICUP360)

AD7798 Data Sheet

ADA4528-1 Data Sheet

ADA4528-2 Data Sheet

AD5270-20 Data Sheet

ADT7310 Data Sheet

ADP7102 Data Sheet

ADR3412 Data Sheet

REVISION HISTORY

10/2016—Revision 0: Initial Version

(Continued from first page) Circuits from the Lab reference designs are intended only for use with Analog Devices products and are the intellectual property of Analog Devices or its licensors. While you may use the Circuits from the Lab reference designs in the design of your product, no other license is granted by implication or otherwise under any patents or other intellectual property by application or use of the Circuits from the Lab reference designs. Information furnished by Analog Devices is believed to be accurate and reliable. However, Circuits from the Lab reference designs are supplied "as is" and without warranties of any kind, express, implied, or statutory including, but not limited to, any implied warranty of merchantability, noninfringement or fitness for a particular purpose and no responsibility is assumed by Analog Devices for their use, nor for any infringements of patents or other rights of third parties that may result from their use. Analog Devices reserves the right to change any Circuits from the Lab reference designs at any time without notice but is under no obligation to do so.

©2016 Analog Devices, Inc. All rights reserved. Trademarks and registered trademarks are the property of their respective owners.
CN14372-0-10/16(0)

