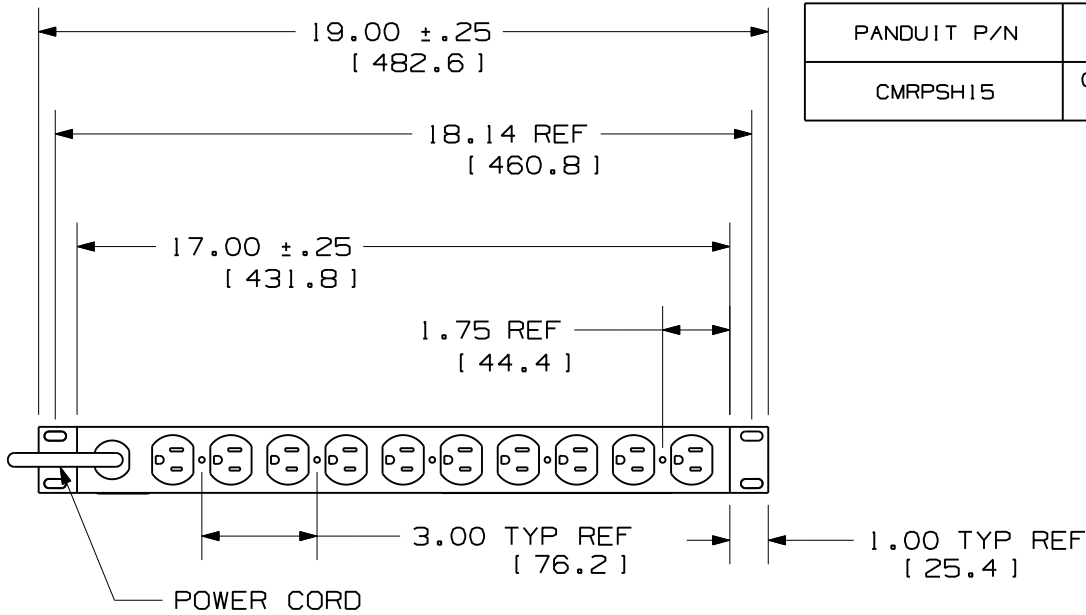


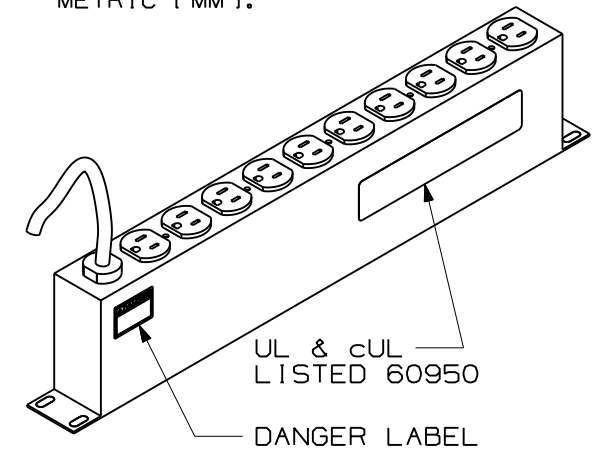
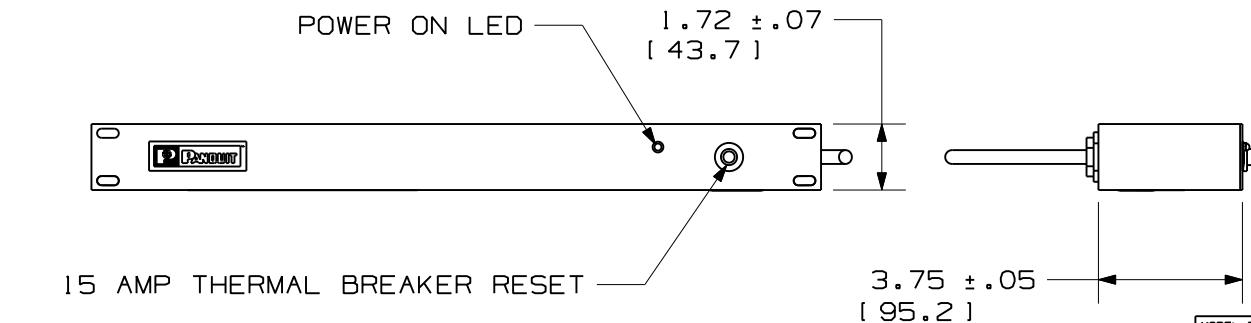
THIS COPY IS PROVIDED ON A RESTRICTED BASIS AND IS NOT TO BE USED IN ANY WAY DETRIMENTAL TO THE INTERESTS OF PANDUIT CORP.



NOTES:

- IDENTIFICATION: 125 VOLT HORIZONTAL POWER STRIP WITH TEN, 15 AMP (REAR MOUNTED) OUTLETS.
- ACCESSORY COMPONENTS:
(4) #10-32 X 1/2" MOUNTING SCREWS
(4) #12-24 X 1/2" MOUNTING SCREWS
- THE POWER STRIP SHALL HAVE THE FOLLOWING:
-TEN (10) - NEMA 5-15R OUTLETS (5 DUPLEX 15 AMP RECEPTACLES) WITH NEMA 5-15P PLUG
- DIMENSIONS IN PARENTHESES ARE METRIC [MM].

PART NO COLOR
CMRPSH15 BLACK



MODEL FILENAME	V01129CC_CMPSH15_00.PRT	
CAD FILENAME/LAYERS	V01129CC_DC_00E.PRT	
PANDUIT CORP. TINLEY PARK, ILLINOIS		
19" HORIZONTAL POWER STRIP 15 AMP 125V (CMRPSH15) CUSTOMER DRAWING		
UNLESS OTHERWISE SPECIFIED, DIMENSIONAL TOLERANCES ARE: (.X) ± (.XXX) ± (.XX) ± ANGLES ±		UNLESS OTHERWISE SPECIFIED, ALL DIMENSIONS ARE GIVEN IN INCHES, THIRD ANGLE PROJECTION.
DRAWN BY JDWE	MAT'L: COLD-ROLLED STEEL	SCALE 1:5
DATE 7-24-01	CHK'D MJM	DRAWING NO. 01129-06
REV	DATE	BY
CHK	DESCRIPTION	ECN - R CUST SUP OTH
		DWG A SIZE

OOE	3-26-10	MRWA		J. ADDED WEIGHT BOX I. UPDATED TITLE BLOCK	01129-06				
OOD	5-4-09	MRWA		H. NOTE 4 WAS METRIC DIMENSIONS SHOWN IN BRACKETS ARE METRIC [MM]. G. NOTE 3 WAS SEE SPEC. SHEET SA-NC10SP01F FOR TECHNICAL SPECIFICATIONS. F. ADDED UL LABEL AND TEXT E. ADDED DANGER LABEL AND TEXT	01129-05				
2	4-22-02	MAV		B. REMOVED THUMB SCREWS W/RETAINING RINGS C. ADDED VOLTAGE TO NOTE #1 D. ADDED SPEC. SHEET #	01129-06				
1	9-7-01	MAV	MJM	A. REVISED ACCESSORY COMPONENTS	01129-06		JW1		
R	7-24-01	JDWE	MJM	RELEASED TO PRODUCTION	01129-06		JW1		
REV	DATE	BY	CHK	DESCRIPTION	ECN - R	CUST	SUP	OTH	