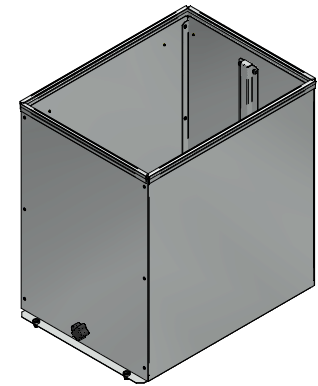
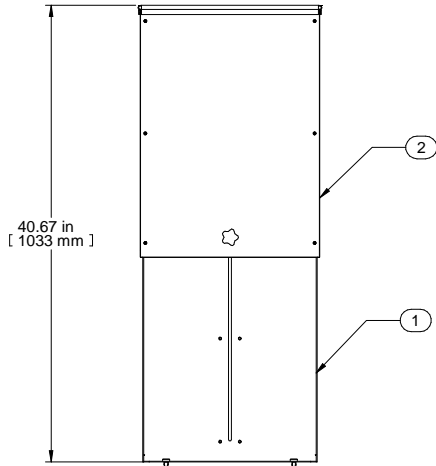


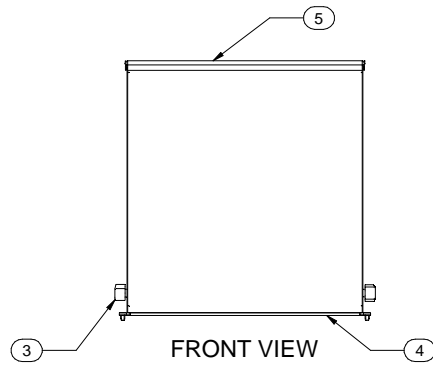
TOP VIEW



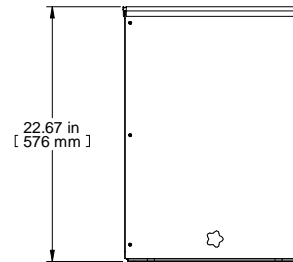
ISOMETRIC



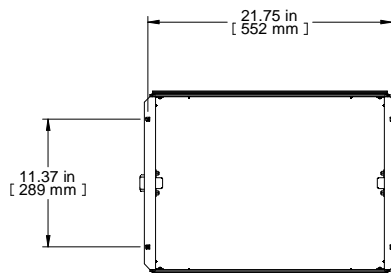
EXTENDED



FRONT VIEW



SIDE VIEW



BOTTOM VIEW

Item Number	Title	Quantity
1	INNER CHIMNEY ASSEMBLY	1
2	OUTER CHIMNEY ASSEMBLY	1
3	1/4-20 X 3/4 COMFORT GRIP KNOB	2
4	PILE GASKET	2
5	MONARCH GASKET	2

PART NUMBERS

CLCH202215BK PAINTED BLACK TEXTURED

NOTES

Shipped knockdown for handling ease and protection.

18" of travel.

Easy use clamping system for ease of height adjustment.

Français

Pour tous les détails sur nos produits,

svp veuillez consulter notre site www.hammondmfg.com

Data subject to change without notice. Isometric drawing not to scale.

Les données sont sujettes à changement sans préavis.



www.hammondmfg.com

PART NO.

CLCH202215