

SUMMARY

Wires

Low voltage 19



Image is for illustrative purpose only

Series	2P
Termination type	Female solder
IP rating	50
AWG wire size	30.00 - 22.00
Cable Ø	0.00 - 0.00 mm
Status	Active
Matching parts	CAB.M19.GLA.C52G

Download

[Request a quote](#)

[Catalog](#)

TECHNICAL DETAILS

Mechanics

Shell Style/Model	CK*: Fixed receptacle with two nuts (back panel mounting)
Keying	3 keys (alpha=0, gamma=60; Plug: male contacts; Receptacle: female contacts)
Housing Material	PSU (Polysulfone), gray
Weight	7.02 g

Performance

Configuration	2P.M19 : 19 Low V.
Insulator	L: PEEK for solder contacts
Rated Current	5 Amps

Specifications

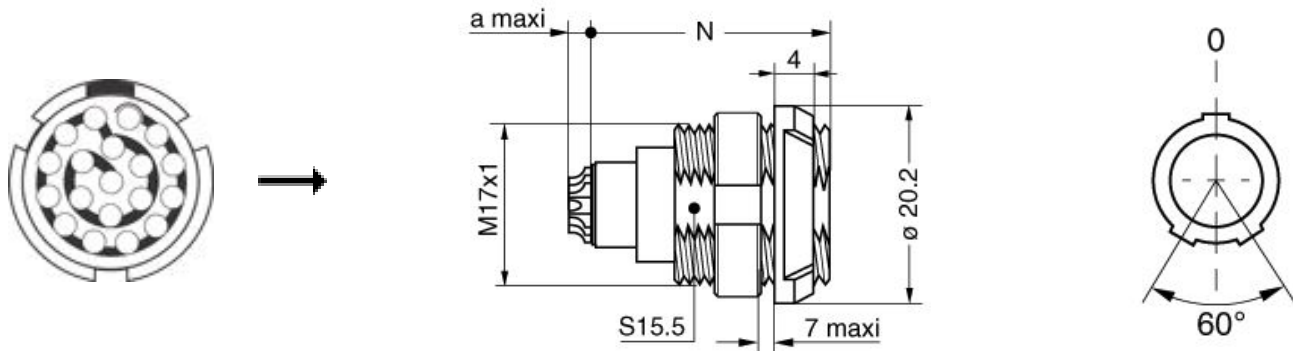
Contact Type:	Solder
Contact Dia.:	0.7 mm (0.027in)
Bucket Dia.:	0.8 mm (0.031in)
Test voltage (kV rms) Contact-contact:	1.4
Air clearance min.:	0.6 mm
Creepage distance min.:	0.6 mm

Others

LEMO products and services are provided "as is". LEMO makes no warranties or representations with regard to LEMO product & services or use of them, express, implied or statutory, including for accuracy, completeness, or security. The user is fully responsible for his products and applications using LEMO components.

Endurance (Shell): >1000 mating cycles
 Temp (min / max): -50°C / +150°C
 F ret (min): 150 N
 F ret (max): 250 N
 Steam sterilization: 20 times

DRAWINGS



Dimensions

	N	a
mm.	23.8	3.4-4.9
in.	0,94	0,13

RECOMMENDED BY LEMO

Tools

LEMO products and services are provided "as is". LEMO makes no warranties or representations with regard to LEMO product & services or use of them, express, implied or statutory, including for accuracy, completeness, or security. The user is fully responsible for his products and applications using LEMO components.