

SUMMARY

Wires

Low voltage 6



Image is for illustrative purpose only

| | |
|------------------|----------------------------------|
| Series | 2P |
| Termination type | Female solder |
| IP rating | 50 |
| AWG wire size | 28.00 - 20.00 |
| Cable Ø | 0.00 - 0.00 mm |
| Status | Active |
| Matching parts | CAB.M06.GLA.C52G |

Download

[Request a quote](#)

[Eplan](#)

[Catalog](#)

TECHNICAL DETAILS

Mechanics

| | |
|-------------------|--|
| Shell Style/Model | CK*: Fixed receptacle with two nuts (back panel mounting) |
| Keying | 3 keys (alpha=0, gamma=60; Plug: male contacts; Receptacle: female contacts) |
| Housing Material | PSU (Polysulfone), gray |
| Weight | 5.43 g |

Performance

| | |
|---------------|-----------------------------|
| Configuration | 2P.M06 : 6 Low V. |
| Insulator | L: PEEK for solder contacts |
| Rated Current | 12 Amps |

Specifications

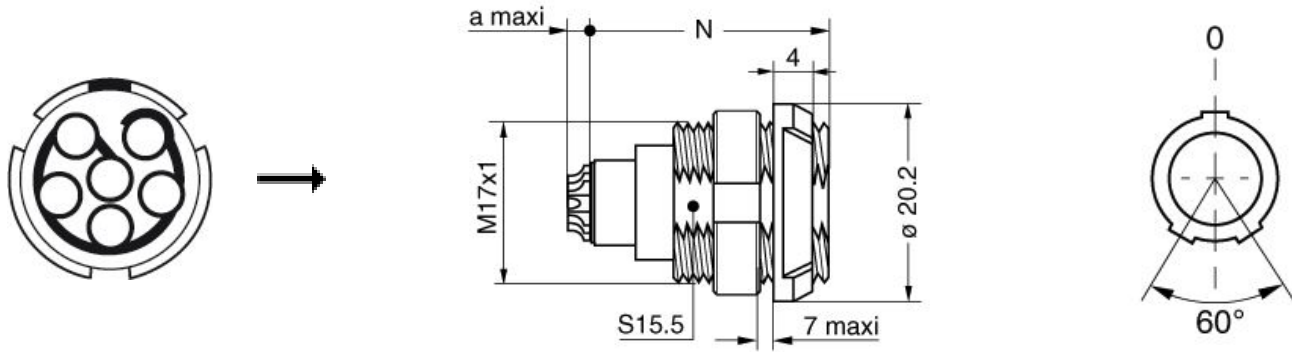
| | |
|--|------------------|
| Contact Type: | Solder |
| Contact Dia.: | 1.3 mm (0.051in) |
| Bucket Dia.: | 1.1 mm (0.043in) |
| Test voltage (kV rms) Contact-contact: | 1.35 |
| Air clearance min.: | 1.1 mm |
| Creepage distance min.: | 1.1 mm |

Others

LEMO products and services are provided "as is". LEMO makes no warranties or representations with regard to LEMO product & services or use of them, express, implied or statutory, including for accuracy, completeness, or security. The user is fully responsible for his products and applications using LEMO components.

Endurance (Shell): >1000 mating cycles
 Temp (min / max): -50°C / +150°C
 F ret (min): 150 N
 F ret (max): 250 N
 Steam sterilization: 20 times

DRAWINGS



Dimensions

| | N | a |
|-----|------|---------|
| mm. | 23.8 | 3.4-4.9 |
| in. | 0,94 | 0,13 |

RECOMMENDED BY LEMO

Tools

LEMO products and services are provided "as is". LEMO makes no warranties or representations with regard to LEMO product & services or use of them, express, implied or statutory, including for accuracy, completeness, or security. The user is fully responsible for his products and applications using LEMO components.