

SUMMARY

Wires

Low voltage 4



Image is for illustrative purpose only

Series	2P
Termination type	Female crimp
IP rating	50
AWG wire size	28.00 - 20.00
Cable Ø	0.00 - 0.00 mm
Status	Active
Matching parts	CAB.M04.GYC.C92G

Download

[Request a quote](#)

[Catalog](#)

TECHNICAL DETAILS

Mechanics

Shell Style/Model	CK*: Fixed receptacle with two nuts (back panel mounting)
Keying	3 keys (alpha=0, gamma=60; Plug: male contacts; Receptacle: female contacts)
Housing Material	PSU (Polysulfone), gray
Weight	5.85 g

Performance

Configuration	2P.M04 : 4 Low V.
Insulator	Y: PEEK for crimp contacts
Rated Current	15 Amps

Specifications

Test voltage (kV rms) Contact-contact: 1.85
Air clearance min.: 2.25 mm
Creepage distance min.: 2.25 mm

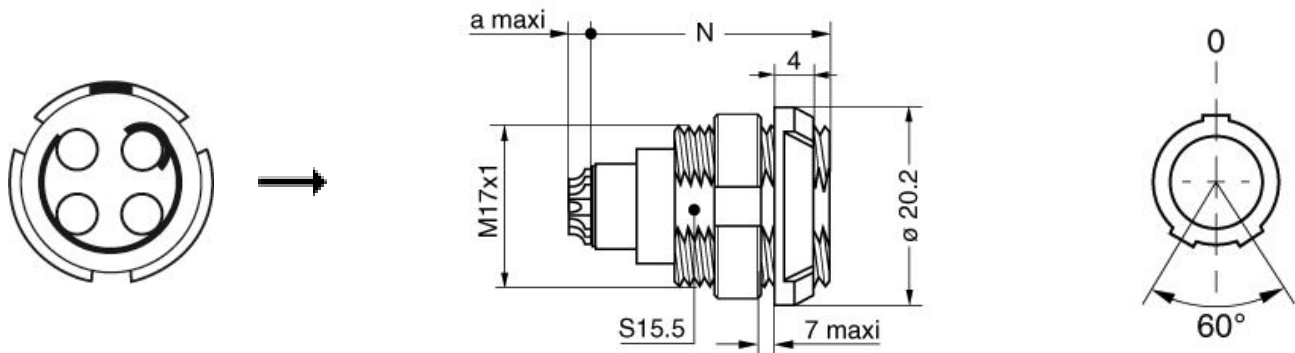
Others

Endurance (Shell): >1000 mating cycles
Temp (min / max): -50°C / +150°C
F ret (min): 150 N

LEMO products and services are provided "as is". LEMO makes no warranties or representations with regard to LEMO product & services or use of them, express, implied or statutory, including for accuracy, completeness, or security. The user is fully responsible for his products and applications using LEMO components.

F ret (max): 250 N
Steam sterilization: 20 times

DRAWINGS



Dimensions

	N	a
mm.	25.1	0
in.	0,99	0,00

RECOMMENDED BY LEMO

Tools

Crimp Tool:	DPC.91.701.V
Crimp settings:	AWG/Selector = 18-20/8-7
Positionner:	DCE.91.132.BVM
Extractor:	DCC.13.15B.LAG
Replacement contact:	EGG.2B.665.ZZM

LEMO products and services are provided "as is". LEMO makes no warranties or representations with regard to LEMO product & services or use of them, express, implied or statutory, including for accuracy, completeness, or security. The user is fully responsible for his products and applications using LEMO components.