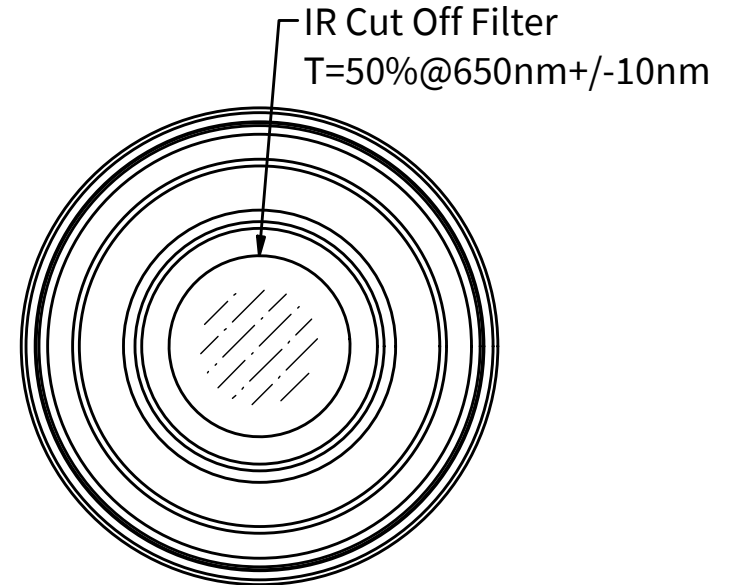
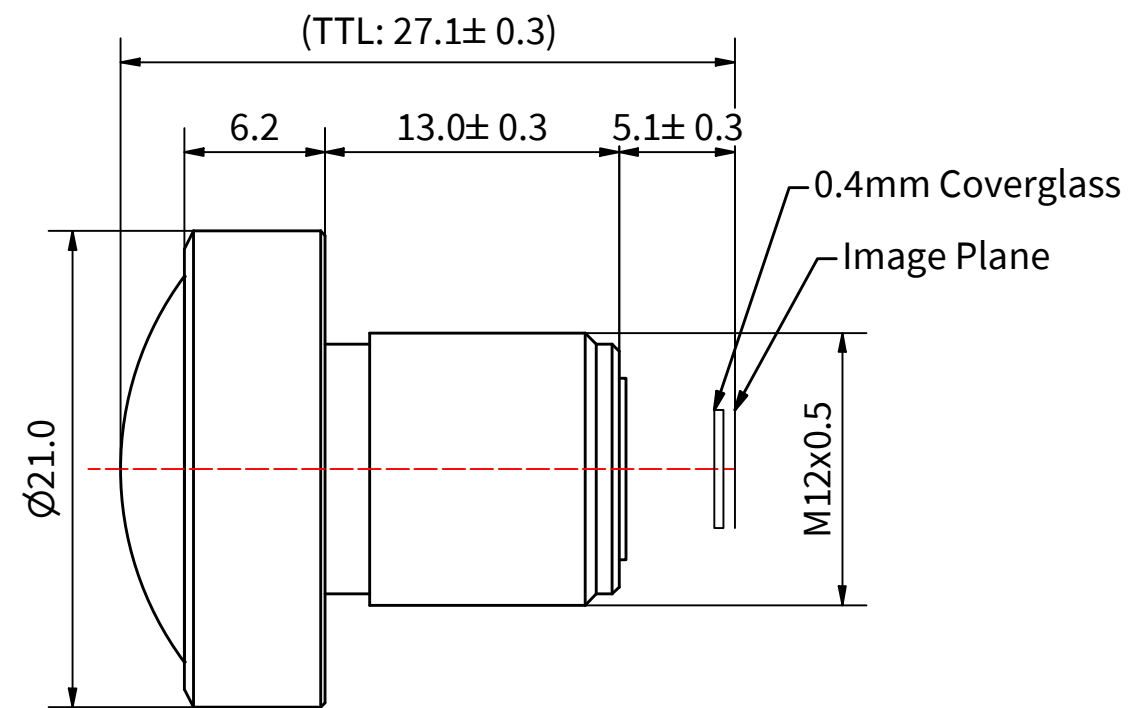
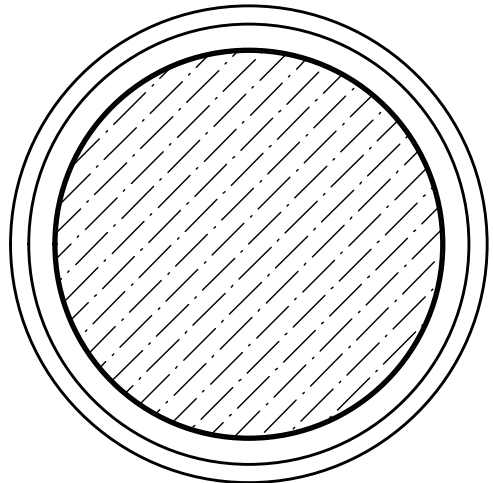
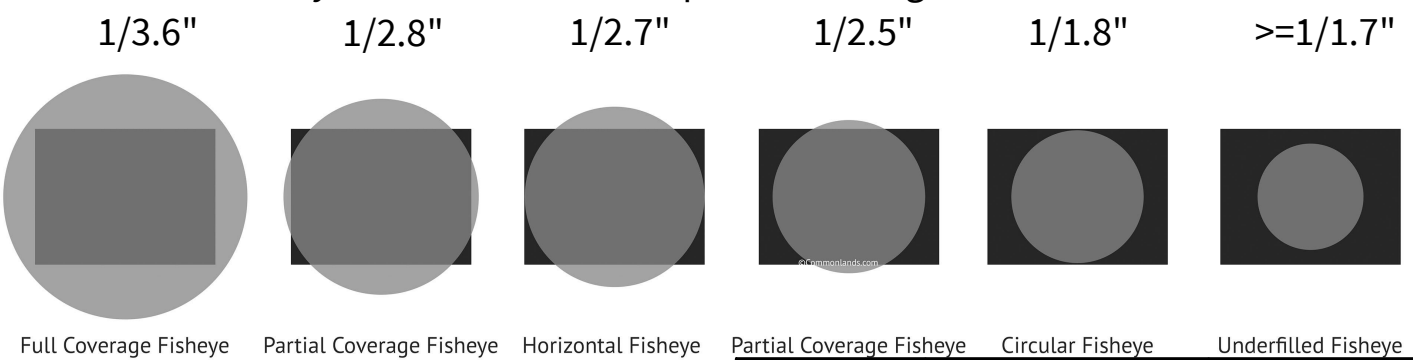


Revision History

Rev	Description	Date
1	Release	4/20/2023



Fisheye Fill Factor on 4:3 Aspect Ratio Region of Interest



Effective Focal Length (EFL)	F/#	Image Circle	Field of View	Distortion		
				Rectilin.	F-θ	TV (4:3)
1.8mm	2.0	2.0mm	64°	-12%	-1%	-6%
Image Circle (IC), Format Type	Nominal Resolution	4.0mm	132°	-51%	-5%	-18%
		5.2mm	186°	-107%	-13%	-25%
Chief Ray Angle at IC	Weight	Third Angle	Scale	Unless otherwise specified		
10°	9.6g		Not To Scale	Standard tolerances are:		
Optical Construction	Barrel Material	All Dimensions in mm		Optical: X.X ± 5%, X.XX ± 5%		
All Glass	AL6061	1.8mm IR Corrected Fisheye		Mechanical: X.X ± 0.1mm		
Drawn				Date		
Checked				4/20/2023		
QA Appr.				Rev.		
				1		

Notes:
 1.) Dimensions in parentheses are reference only.
 2.) IR Corrected with <8um MBFL shift from 550nm to 850nm.

	Name	Date
Drawn		
Checked		
QA Appr.		

Commonlands LLC
 San Diego, CA
 +1 (858) 333-7325, engineering@commonlands.com

CIL239-F2.0-M12A650