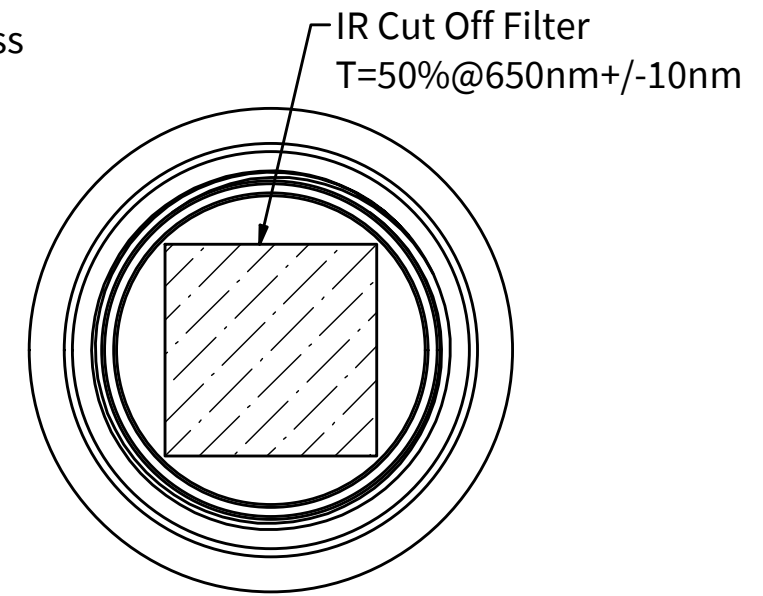
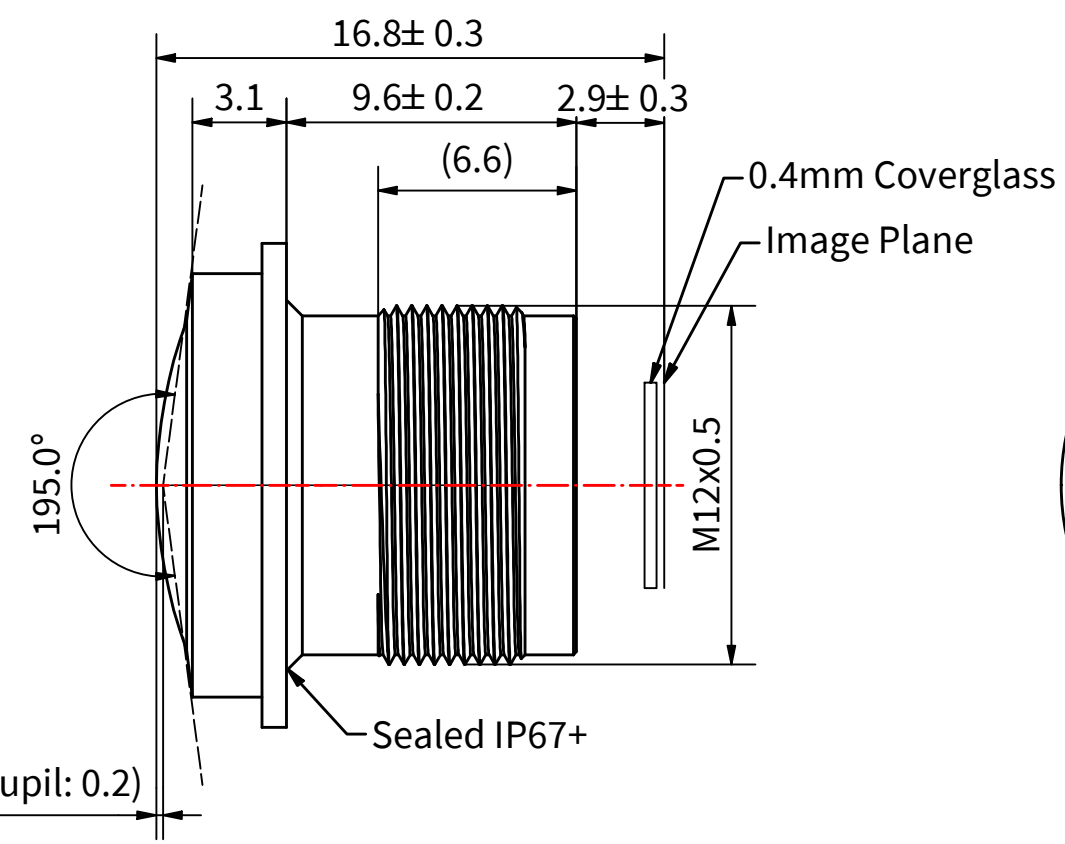
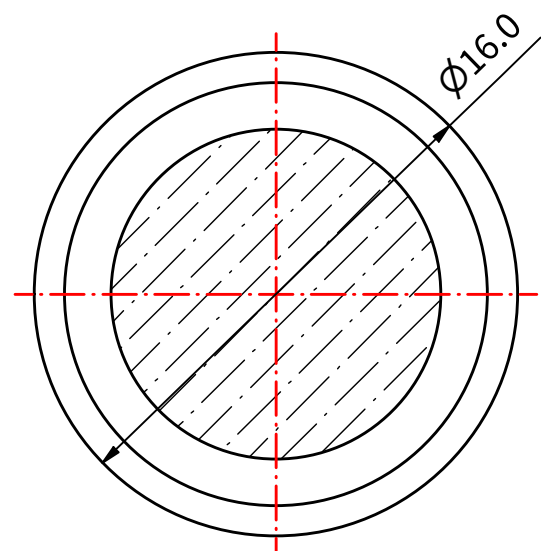
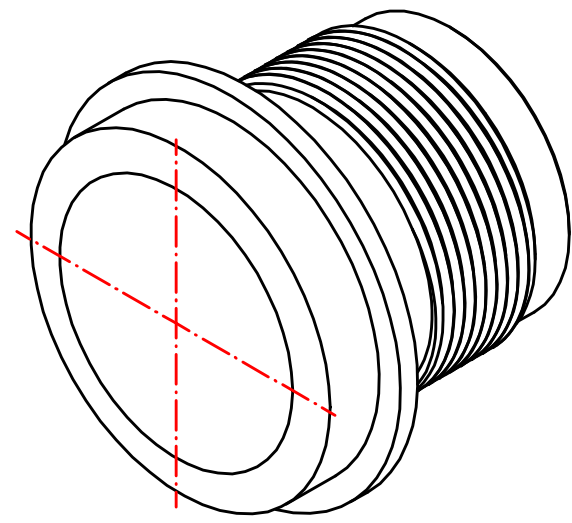
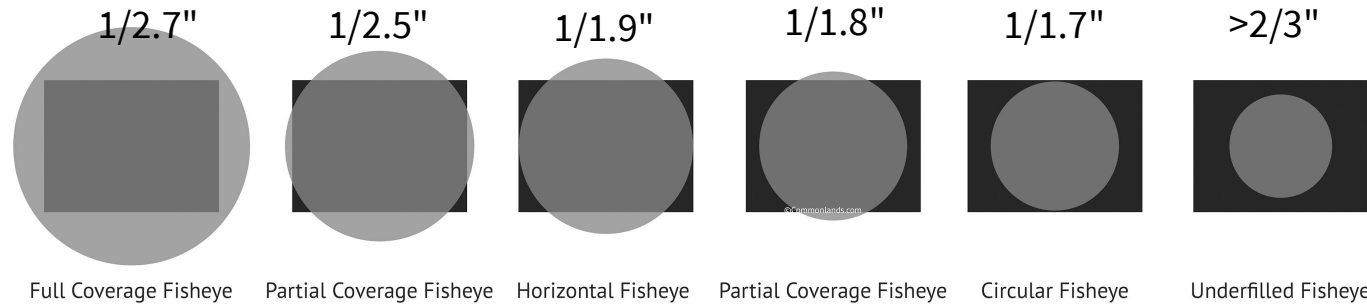


Revision History		
Rev	Description	Date
1	Release	1/21/2022
2	Update formatting, add distortion and fisheye images	11/1/2022



Fisheye Fill Factor on 4:3 Aspect Ratio Region of Interest



Effective Focal Length (EFL)	F/#	Image Circle	Field of View	Distortion		
				Rectilin.	F-θ	TV (4:3)
2.2mm	2.0	3.5mm	93°	-25%	-2.1%	-11%
Image Circle (IC), Format Type	Nominal Resolution	6.0mm	168°	-85%	-6.8%	-23%
6.8mm >1/1.7"	5MP-8MP	6.8mm	195°	-120%	-9.1%	-26%

Notes:
 1.) Entrance Pupil Position
 2.5mm for 86° FoV
 1.3mm for 162° FoV
 0.5mm for 190° FoV

	Name	Date			
Drawn			Chief Ray Angle at IC	Weight	Third Angle
Checked			13°	4.8g	Scale Not To Scale All Dimensions in mm
QA Appr.			Optical Construction	Barrel Material	Unless otherwise specified Standard tolerances are: Optical: X.X ± 5%, X.XX ± 5% Mechanical: X.X ± 0.1mm
			6G+IRCF	AL6061	195°@6.8mm Fisheye
			Commonlands LLC San Diego, CA +1 (858) 333-7325, engineering@commonlands.com		Date
			CIL222-F2.0-M12A650		1/21/2022
					Rev.
					2