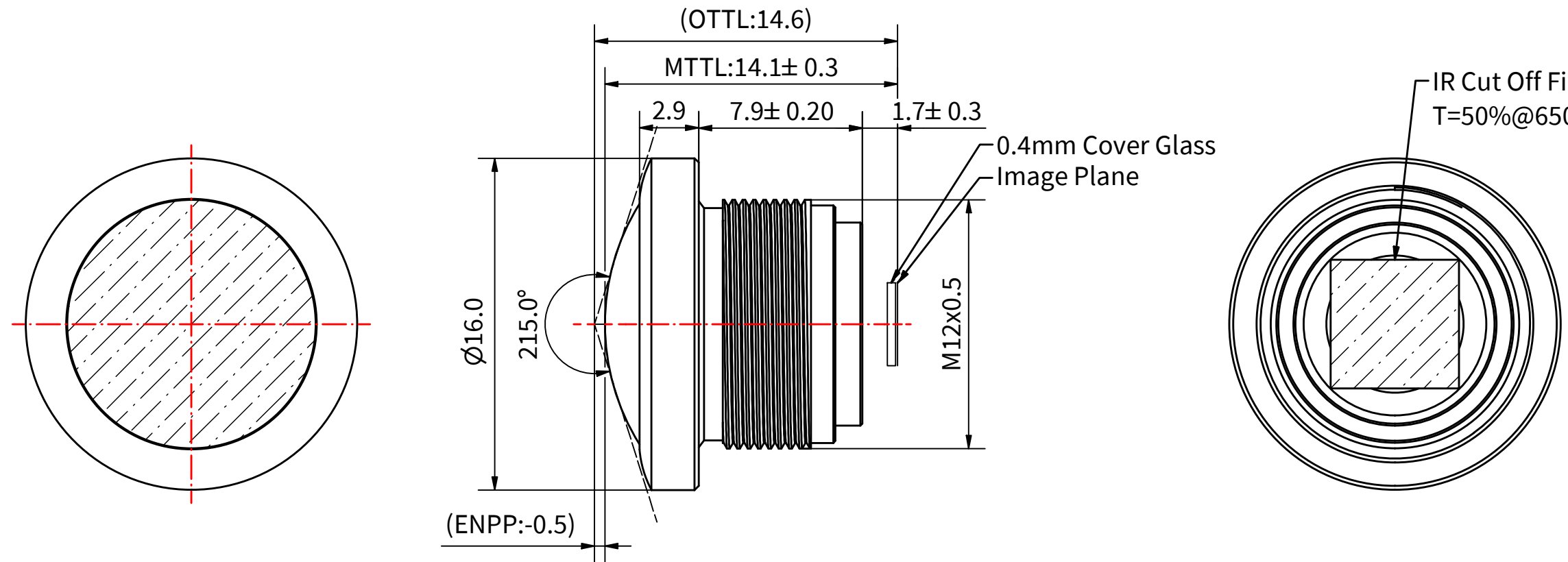
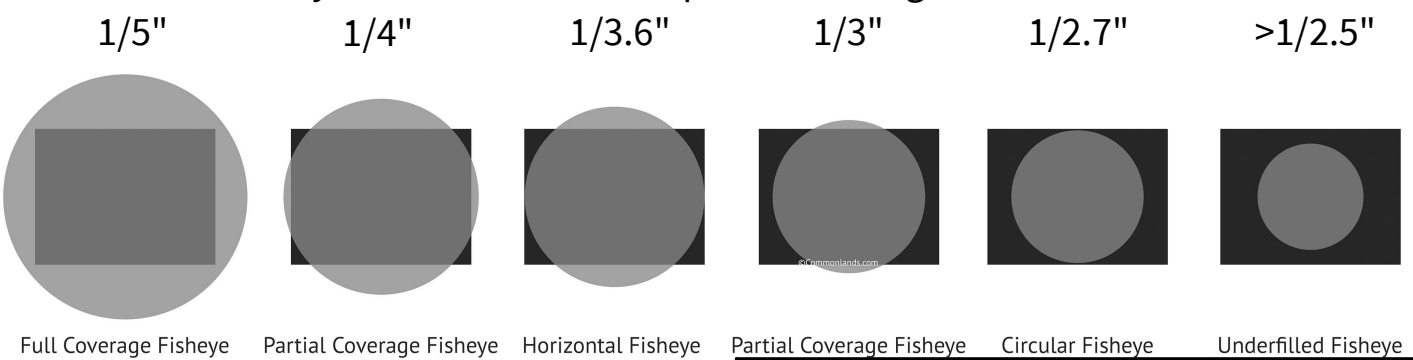


Revision History		
Rev	Description	Date
1	Release	2/22/2023



Fisheye Fill Factor on 4:3 Aspect Ratio Region of Interest



Effective Focal Length (EFL)	F/#	Image Circle	Field of View	Distortion		
0.8mm	1.85	2.0mm	118°	Rectilin.	F-θ	TV (4:3)
Image Circle (IC), Format Type	Nominal Resolution	3.0mm	162°	-27%	+18%	-11%
4.0mm	4-5MP	4.0mm	220°	-74%	+19%	-22%
Chief Ray Angle at IC	Weight	Third Angle	Scale	Unless otherwise specified		
11°	6.8g		Not To Scale	Standard tolerances are:		
Optical Construction	Barrel Material	All Dimensions in mm		Optical: X.X ± 5%, X.XX ± 5%		
2G4P	Metal			Mechanical: X.X ± 0.1mm		
Drawn		0.8mm M12 Lens		Date		
Checked				2/22/2023		
QA Appr.		Commonlands LLC		Rev.		
		San Diego, CA		1		
		+1 (858) 333-7325, engineering@commonlands.com		CIL207-F1.9-M12A650		

Notes:  
1.) IP67

	Name	Date
Drawn		
Checked		
QA Appr.		