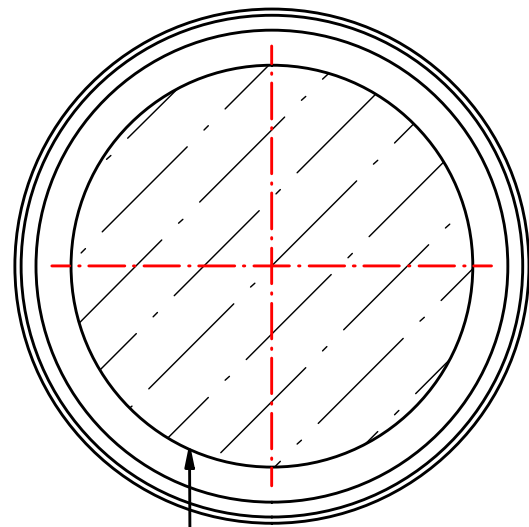
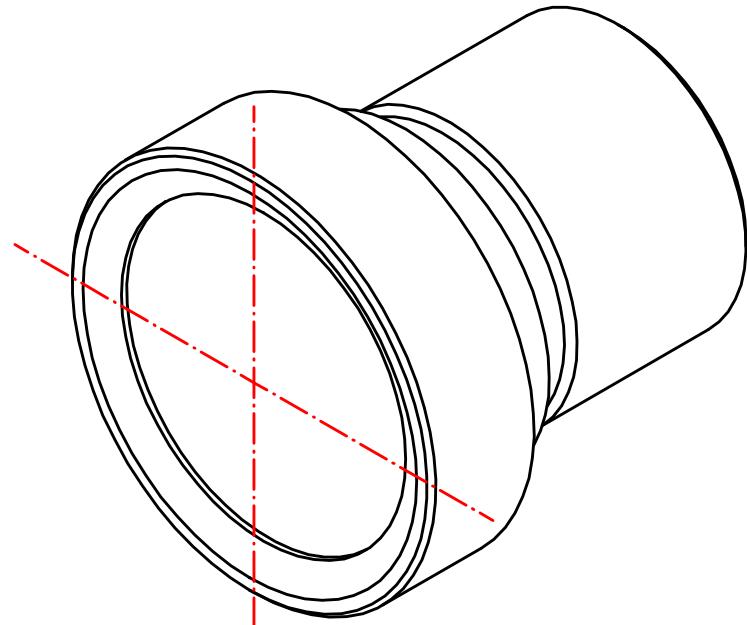
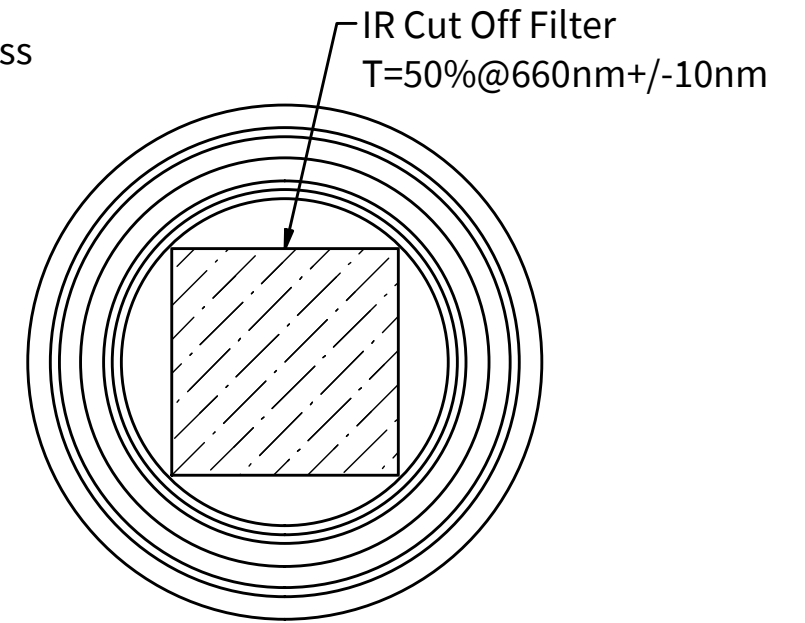
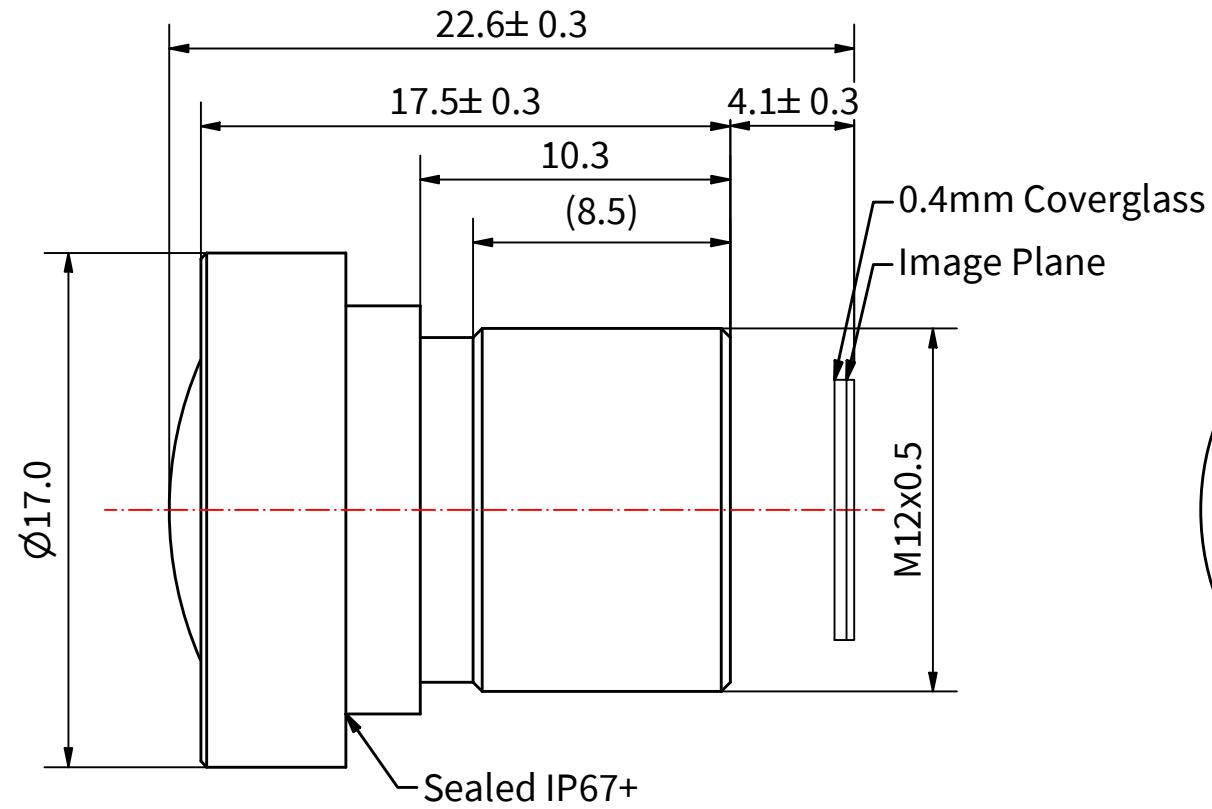


Revision History		
Rev	Description	Date
1	Release	9/3/2021
2	Update Construction	10/7/2021
3	Update Distortion, Modernize Formatting	1/28/2022



Face-Sealed IP67+



	Name	Date	Effective Focal Length (EFL)	F/#	Image Circle	Field of View	Distortion		
			3.25mm	2.7	3.5mm	56°	Rectilin.	F-θ	TV (4:3)
			Image Circle (IC), Format Type	Nominal Resolution	6.5mm	90°	0%	+27%	0.05%
			8.6mm 1/1.9"	12MP+	8.0mm	102°	0.1%	+34%	0.07%
Drawn			Chief Ray Angle at IC	Weight	Third Angle Scale Not To Scale All Dimensions in mm	Unless otherwise specified Standard tolerances are: Optical: X.X ± 5%, X.XX ± 5% Mechanical: X.X ± 0.1mm			
			14.8°	5.7g					
Checked			Optical Construction	Barrel Material	3.2mm IP67+ M12 Lens			Date	
			4G2P	AL6061				1/28/2022	
QA Appr.			Commonlands LLC San Diego, CA +1 (858) 333-7325, engineering@commonlands.com			CIL034-F2.7-M12A660			Rev.
									3