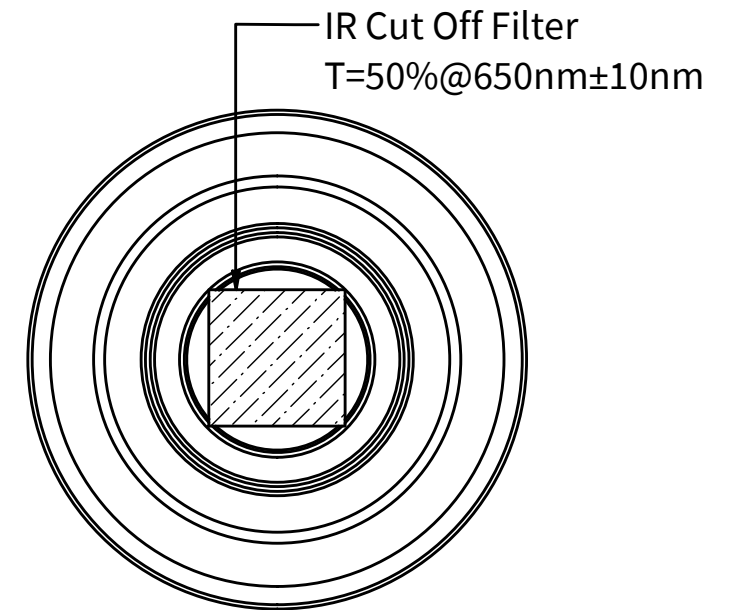
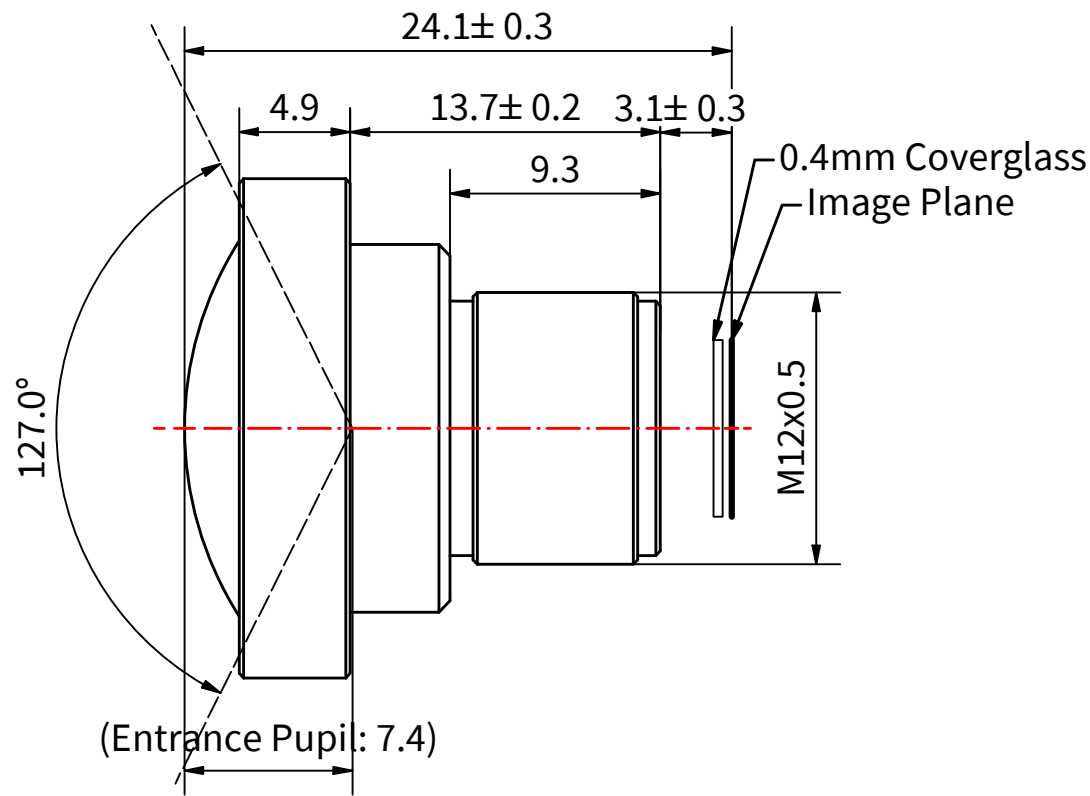
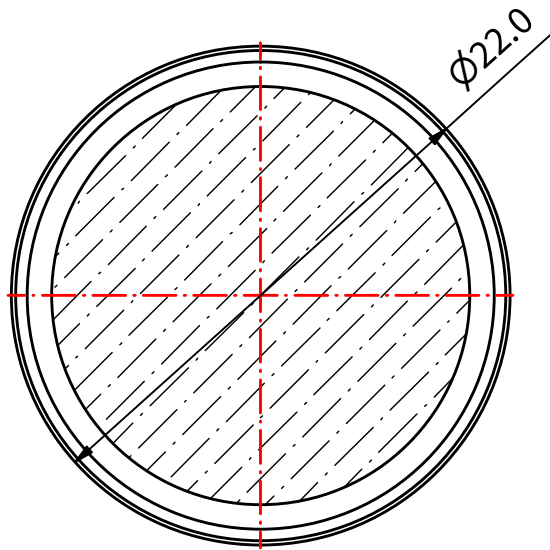
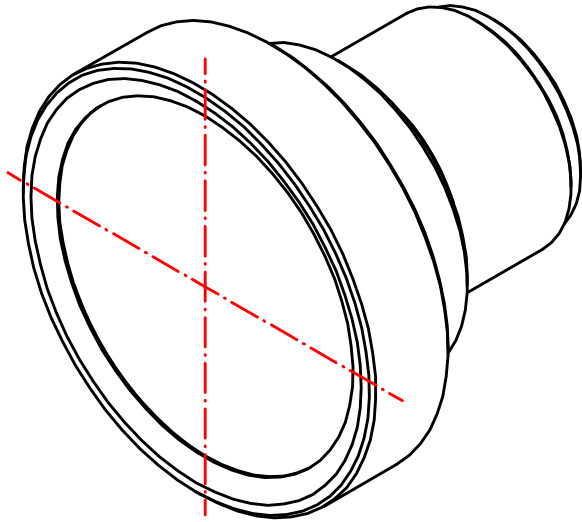


Revision History			
Rev	Description	Date	Approved
1	Release	7/22/2022	MH



	Name	Date	Effective Focal Length (EFL)	F/#	Image Circle	Field of View	Distortion		
			2.2mm	2.2	4.6mm	94°	Rectilin.	F-θ	TV (4:3)
			Image Circle (IC), Format Type	Nominal Resolution	6.2mm	114°	-8%	+43%	-4.2%
			7.9mm 1/2.3"	8MP-10MP	7.85mm	127°	-12%	+60%	-6%
Drawn			Chief Ray Angle at IC	Weight		Scale Not To Scale All Dimensions in mm	Unless otherwise specified Standard tolerances are: Optical: X.X ± 5%, X.XX ± 5% Mechanical: X.X ± 0.1mm		
			25°	9.3g					
Checked			Optical Construction	Barrel Material	2.2mm M12 Lens				Date
			Glass,Plastic	AL6061					7/22/2022
QA Appr.			Commonlands LLC San Diego, CA +1 (858) 333-7325, engineering@commonlands.com			CIL023-F2.2-M12A650			Rev.
									1