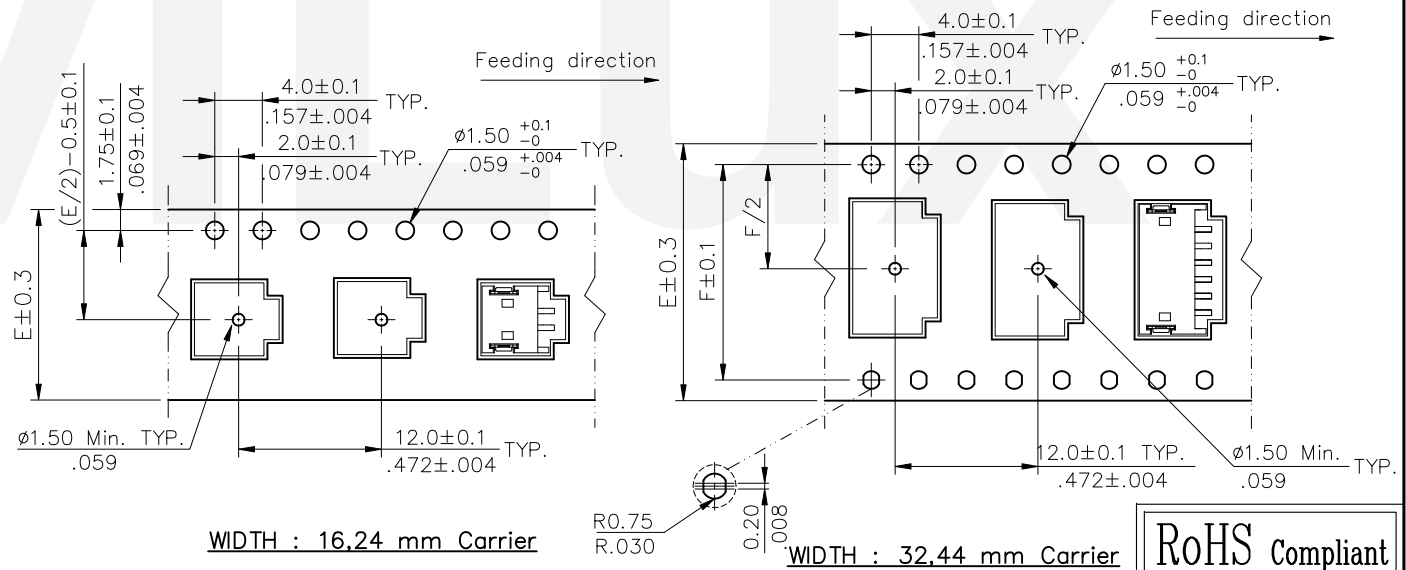
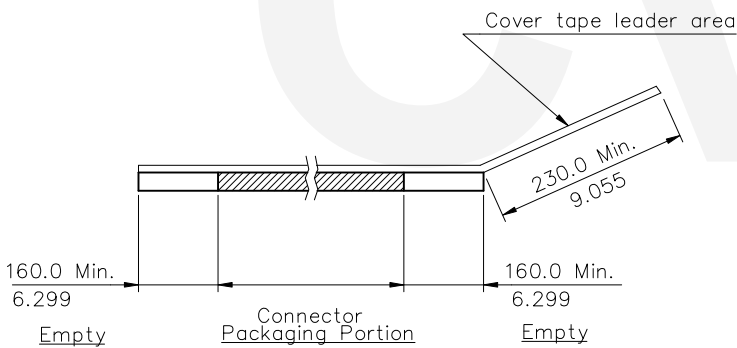


NOTE :

- △ * Reel Material : Corrugated Paper
- * Carrier Material : Clear, Conductive Polystyrene Alloy
- * Cover Tape Material : Polyester
- * Cover Tape Peel Strength : 0.1N – 1.3N
- * Carrier camber is within 1mm in 100mm
- * All dimensions meet EIA-481-2 & EIA-481-3 requirements.
- * Quantity : 1400 PCS/Reel

Circuits	Dimension					Packing (Reel/Carton)
	E	F	W1	W2	W3	
2-3	16.0(.630)	-----	16.5(.650)	22.5(.886)	16.5(.650)	11
4-8	24.0(.945)	-----	24.5(.965)	30.5(1.201)	24.5(.965)	9
9-12	32.0(1.260)	28.4(1.118)	32.5(1.280)	38.5(1.516)	32.5(1.280)	7
13-15	44.0(1.732)	40.4(1.596)	44.5(1.752)	50.5(1.988)	44.5(1.752)	5



WIDTH : 16.24 mm Carrier

WIDTH : 32.44 mm Carrier

RoHS Compliant

SYM	NAME	DATE	REVISIONS	APPROVED BY:	DATE	UNIT: mm / inch	TITLE: 1.50MM(.059") Right Angle SMT Type Header	DRAWING NO. CI1527SE	PART NO. CI15**M1H*0-NH
△4									
△3	Sun	7/05-16'	ECRH116023/ECNT116141	DRAWN BY: Yushu	11/25-19'	TOLERANCE UNLESS OTHERWISE SPECIFIED			
△2	Enya	9/11-13'	ECNT113054/ECRH113002	ENGINEER: Sun	12/10-19'	X' ± 1'	MATERIAL:		
△1	Sun	9/22-11'	ECR11039-2/ECN11060	CHECKED BY: Eisley	12/12-19'	.X' ±	FINISH:	SCALE	SHEET 2 OF 2
				APPROVED BY: Eisley	12/12-19'	.XX' ±			

CVILUX
 2019.12.19
 ISSUED



瀚荃股份有限公司
CviLux Corporation