

DIM. A = 1.00 x NO. OF SPACES

DIM. B = DIM. A + 3.0

* AVAILABLE IN 2 THROUGH 18,20 AND 26 CIRCUITS

NOTE:

1. Material:

Base: Nylon 6T + 30% GF. UL 94V-0,

Color Nature

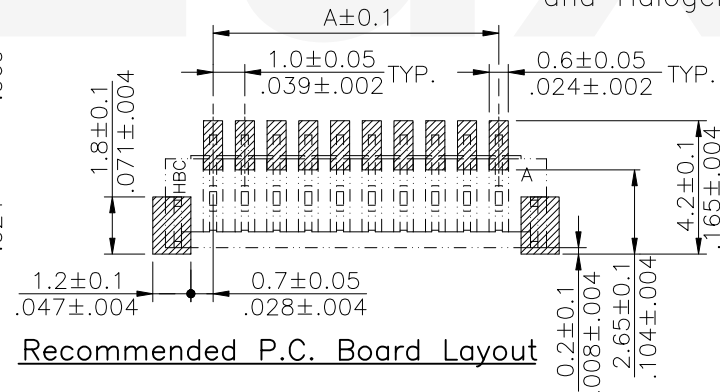
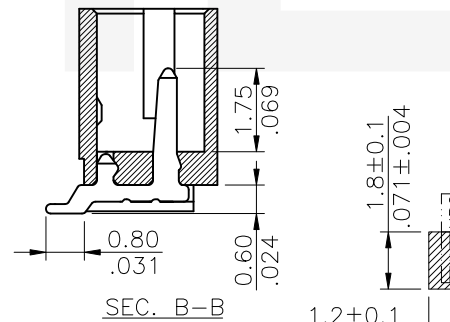
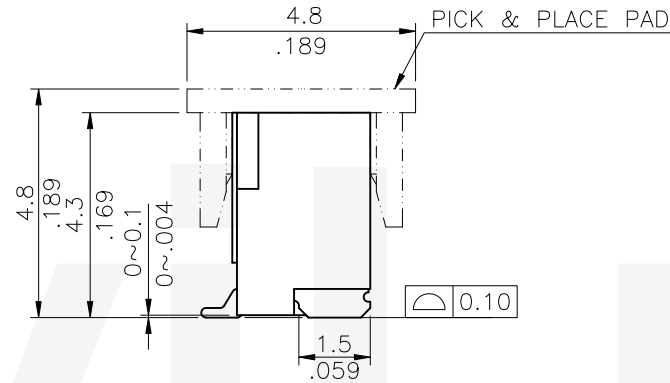
Contact: Phosphor Bronze

Tab: Brass, with Matte Tin plated

PAD: Nylon 6T + 30% GF. UL 94V-0,

Color Nature

2. For Lead Free IR Reflow Process



Recommended P.C. Board Layout

ORDERING CODE

CI11 ** M 1 V R0 -NH
 ① ② ③ ④ ⑤ ⑥ ⑦

① Series No.

② Contacts:

③ M= SMT type header

④ Plating:

1= 2.54μm(100μ") Min. Matte Tin

Plated over 1.27μm(50μ") Nickel

2= Gold flash plated over

1.27μm(50μ") Nickel

⑤ Type: V= Straight

⑥ Other option:

R0= Tape & reel packing

(With pick & place pad)(Standard)

RN= Tape & reel packing

(Without pack & place pad)

T0= Tube packing


(Without pack & place pad)

⑦ -NH= For Lead Free IR Reflow Processes and Halogen-Free

Halogen-Free

Lead Free Process

RoHS Compliant

⑤	Sun	6/10-21'	ECRH121018/ECNT121139		DATE	UNIT: mm / inch	TITLE: 1.00MM(.079")	 瀚荃股份有限公司 CviLux Corporation
④	Sun	7/15-20'	ECRH120028/ECNT120184	DRAWN BY: Sun	6/11-21'	TOLERANCE UNLESS OTHERWISE SPECIFIED	WIRE TO BOARD CONNECTOR	
③	Ellie	12/19-14'	ECNT114252/ECRT114090	ENGINEER: Sun	6/11-21'	.X ± 0.30/012 X' ± 1'	MATERIAL:	DRAWING NO. CI1152SF
②	Enya	11/11-13'	ECNT113103/ECRB113027	CHECKED BY: David	6/11-21'	.XX ± 0.20/008 X' ±	FINISH:	PART NO. CI11**M*V**-NH
SYM	NAME	DATE	REVISIONS	APPROVED BY: David	6/11-21'	.XXX ± 0.10/004 .XX' ±		SCALE 6 / 1
								SHEET 1 OF 2

CVILUX
 2021.06.17
 ISSUED

