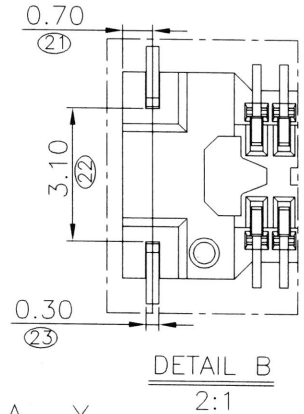
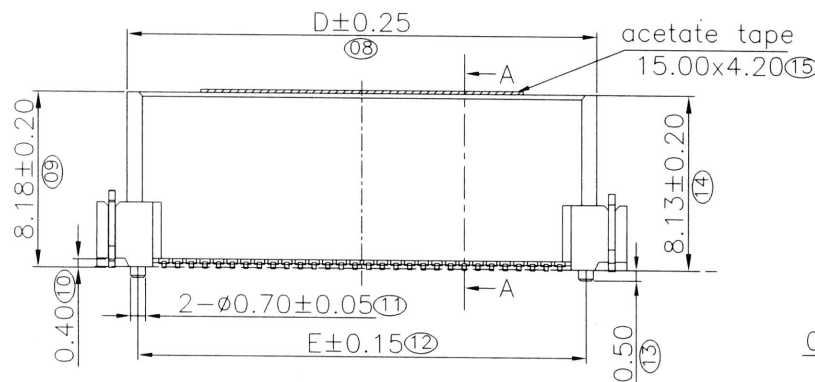
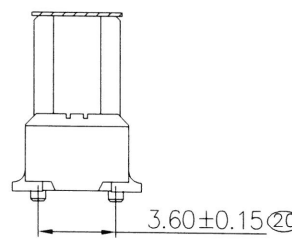
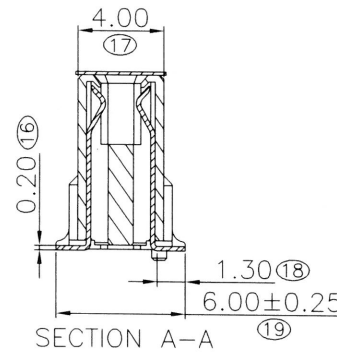
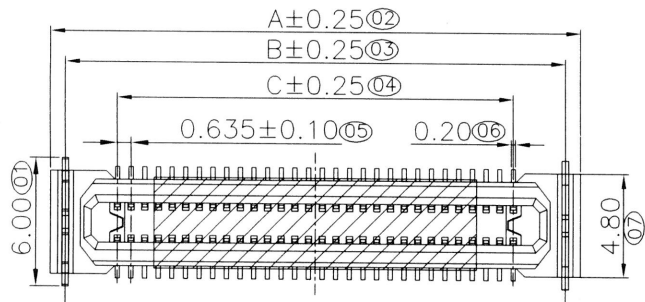


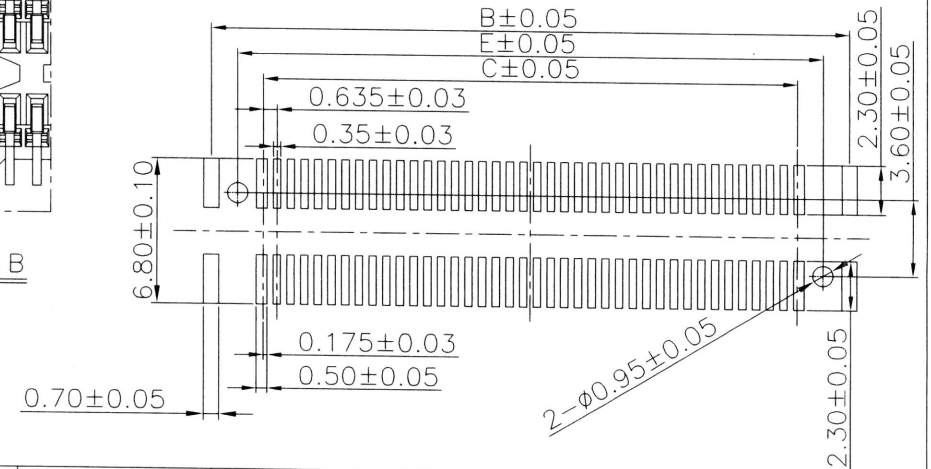
REV.	LOCAS.	DESCRIPTION	DATE	DRAWN
01	NEW	BATCH PRODUCTION INITIAL RELEASE.	2022.07.12	王文睿



Specifications  
 Current Rating: 0.5Amp  
 Insulation Resistance: 500MΩMin.  
 Dielectric Withstanding Voltage: 200VAC  
 Contact Resistance: 100mΩMax.  
 Operating Temperature: -40°C to +105°C  
 Materials  
 Contact Material: Phosphor Bronze  
 Insulator Material: High Temperature Thermoplastic, UL 94V-0 LCP or the equivalent material  
 All materials must meet GREENCONN hazardous substances control standards.

No. of PIN/ROW	Dimension Information				
	A	B	C	D	E
2x30	24.65	23.25	18.42	21.85	20.80
2x40	31.00	29.60	24.77	28.20	27.15

Recommended P.C.Board Layout  
 (Tolerance:  $\pm 0.05$ )



### Ordering Information

C GZC202 - XX XX B 001 C 1 A X  
 No. Of Pins Per Row: 30,40  
 Standard Plating: 02=Gold Flash, 09=3u"AU/Gold Flash  
 Color: 1=Black  
 Standard Packing: H=Acetate tape +Tape&Reel

**Greenconn**  
 Website: www.greenconn.com  
 E-mail: sales@greenconn.com

REV. 01	UNIT. mm	SCALE. 3:1	PAGE. 1/1
---------	----------	------------	-----------

3RD.ANG PROJ.		GENERAL TOLERANCE	
$X. \pm 5.0^{\circ}$	$X. \pm 0.30$	$.X. \pm 3.0^{\circ}$	$.X. \pm 0.25$
$.XX. \pm 2.0^{\circ}$	$.XX. \pm 0.15$	$.XXX. \pm 1.0^{\circ}$	$.XXX. \pm 0.10$

DESIGNED: 王文睿  
 CHECKED: 黄超  
 APPROVED: 王文睿

DATE: 2022.07.12  
 DATE: 2022.7.13  
 DATE: 2022.7.13

DWG. NO. CGZC202-CB001  
 PART NO. CGZC202-XXXXB001C1AX

TITLE. 0.635mm PITCH BTB FLOATING CONNECTOR